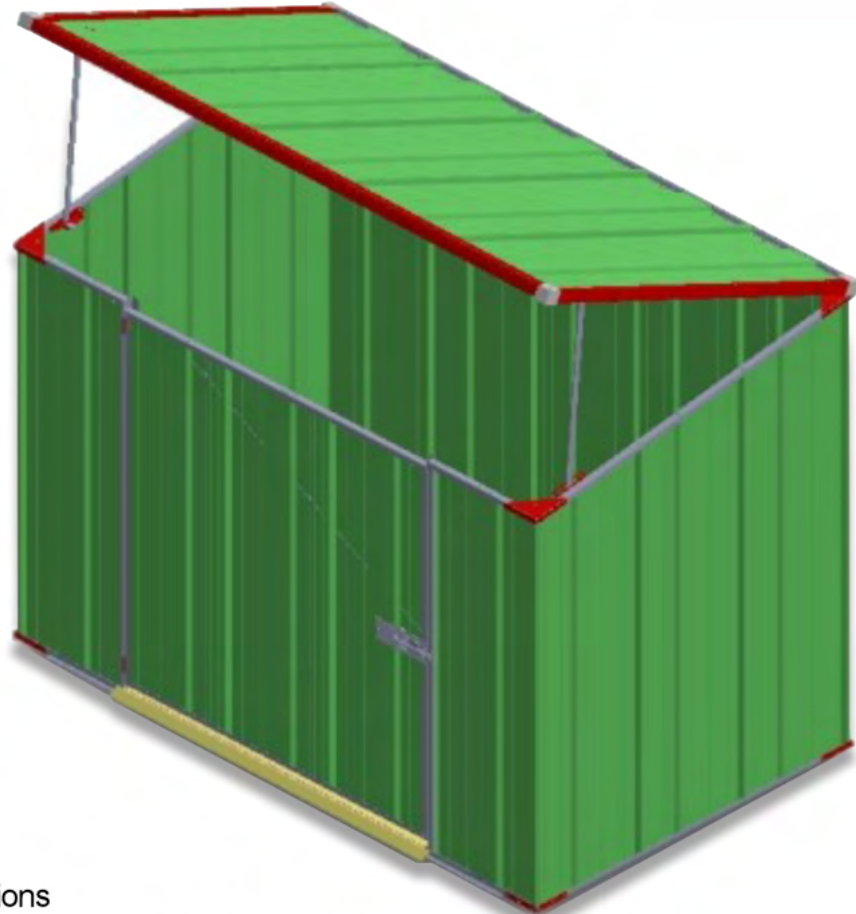


## ASSEMBLY INSTRUCTIONS

# S53

REVISION 08/22



SCAN THIS FOR  
HOW TO BUILD VIDEO.



Outside base frame dimensions  
W: 5 ft 9 5/16 in x D: 3 ft 6 1/8 in x H: 4 ft 10 1/4 in (Rear) 4 ft 1 13/16 in (Front)  
W1760mm x D1070mm x H1480mm(Rear) x H1265(Front)

**BEFORE COMMENCING SHED ASSEMBLY, CHECK ALL PARTS.**

**DO NOT ASSEMBLE IN WINDY CONDITIONS**

**READ INSTRUCTIONS FIRST**

**2 PERSONS ASSEMBLY**



THE MANUFACTURERS CANNOT BE HELD RESPONSIBLE FOR ANY CONSEQUENCES DUE TO SHEDS THAT ARE NOT INSTALLED PER INSTRUCTIONS OR FOR DAMAGE DUE TO WEATHER CONDITIONS, ACTS OF GOD OR FOR SHEDS THAT ARE LEFT PARTIALLY ASSEMBLED OVERNIGHT. PARTS MAY CONTAIN SHARP EDGES & CORNERS. CARE MUST BE TAKEN WHEN HANDLING VARIOUS PIECES TO AVOID A MISHAP, FOR SAFETY SAKE, PLEASE USE A PAIR OF WORK GLOVES, EYE PROTECTION & PROTECTIVE CLOTHING WHEN ASSEMBLING OR PERFORMING ANY MAINTENANCE ON THE BUILDING.



15435 Arrow Route,  
Fontana, CA 92335,  
United States



+1 909 331 4668



info@truebuildings.com



truebuildings.com

## TABLE OF CONTENT

|  |    |
|--|----|
| TOOLS REQUIRED .....                           | 3  |
| HANDY HINTS FOR CONSTRUCTION .....             | 3  |
| BRACKETS .....                                 | 4  |
| HARDWARES .....                                | 4  |
| SHEET IDENTIFICATION .....                     | 5  |
| SECTIONS .....                                 | 6  |
| FOUNDATION .....                               | 7  |
| TYPICAL SHEET FIXING DETAILS .....             | 8  |
| REAR WALL PANEL .....                          | 9  |
| FRONT WALL PANEL .....                         | 10 |
| SIDE WALL SHEET LAYING PROCEEDURE .....        | 12 |
| STAND AND JOIN WALL PANELS .....               | 13 |
| TYPICAL CORNER OVER LAPPING .....              | 14 |
| FIXING TOP CORNER BRACKETS .....               | 15 |
| FIXING DOOR RAMP .....                         | 16 |
| LID PANEL ASSEMBLY .....                       | 17 |
| FIX LID STAY BRACKET .....                     | 24 |
| DOOR ASSEMBLY .....                            | 26 |
| DOOR FITTING .....                             | 30 |
| ANCHORING SHED TO SLAB .....                   | 31 |
| LID STAY ASSEMBLY .....                        | 32 |
| FIXING HASP AND LATCH .....                    | 35 |
| CARE AND MAINTENANCE (15 YEARS WARRANTY) ..... | 36 |
| NOTES .....                                    | 37 |

## TOOLS REQUIRED



Electric Drill



Cordless Drill



Measuring Tape



Screwdrivers



8mm Masonry Drill Bit



Shifting Spanner



Builders Pencil



Tin Snips  
(some models only)



Rubber Mallet



Sturdy Ladder  
(two if possible)



Gloves



Protective Eyewear

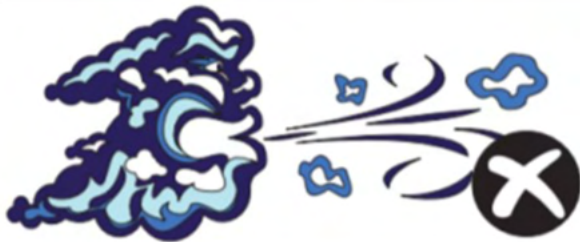
## HANDY HINTS FOR CONSTRUCTION



Read instructions and check parts carefully before assembling the shed.



Please wear safety gloves and glasses at all times to protect against sharp metal edges.



Do not assemble in windy conditions as panels may be difficult to handle and damage may result.









Do not back fill against the shed as this will result in corrosion. Allow drainage from the site.



MOST PILOT HOLES ARE PRE-PUNCHED AND IN THIS CASE DRILLING HOLES IS NOT NECESSARY, HOWEVER SOME PILOT HOLES NEED TO BE DRILLED WITH THE INCLUDED 2.5MM DRILL BIT WHERE INDICATED

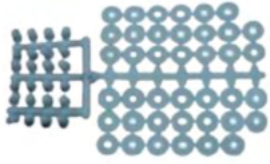



## BRACKETS

|                                      |  |
|--------------------------------------|--|
| CORNER BRACKET<br>X 8                |   |
| HINGES<br>X 6                        |   |
| PADBOLT & KEEPER<br>X 1              |   |
| DOOR PLATE<br>X 3                    |   |
| 1 3/4 in x 1 3/4 in<br>(45mm x 45mm) |   |
| Pool Pump Prop<br>X 2                |  |

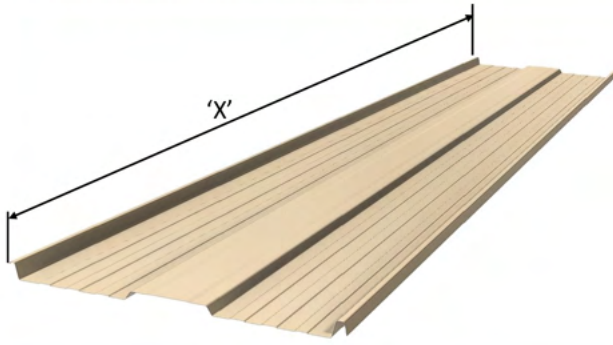
|   |   |
|---|---|
| Hasp & Staple<br>X 1 set                    |  |
| 55mm BRACKET<br>X 3                         |  |
| CORNER CAP<br>Size 40<br>X 6                |  |
| Lid Stay Bracket<br>Quantity<br>1 LH + 1 RH |  |

## HARDWARES

|                             |   |
|-----------------------------|---|
| M8x40 MASONRY ANCHOR<br>X 7 |  |
| SELF TAPPING SCREW<br>X 300 |  |
| 2.5mm DRILL BIT<br>X 1      |  |
| 3/16" NUT & BOLT<br>X 6     |  |
| M5 Nylock Nut & Bolt<br>X 2 |  |

|   |   |
|---|---|
| PLASTIC WASHER & SCREW CAP SHEET<br>X 1 |  |
| PHILIPS HEAD DRIVE BIT<br>X 1           |  |
| CLIP NUT<br>X 2                         |  |
| RIVET<br>X 25                           |  |

## SHEET IDENTIFICATION



|             |                        |
|-------------|------------------------|
| SHEET       | <b>C</b>               |
| DESCRIPTION | WALL CORNER PANEL      |
| LENGTH "X"  | 4 ft 8 5/8 in (1438mm) |
| QTY         | 4                      |

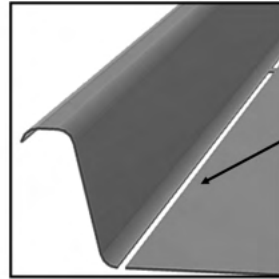
|             |                         |
|-------------|-------------------------|
| SHEET       | <b>D</b>                |
| DESCRIPTION | FRONT WALL CORNER PANEL |
| LENGTH "X"  | 4 ft 1 3/16 in (1250mm) |
| QTY         | 2                       |

|             |                        |
|-------------|------------------------|
| SHEET       | <b>D</b>               |
| DESCRIPTION | REAR WALL CORNER PANEL |
| LENGTH "X"  | 4 ft 8 5/8 in (1438mm) |
| QTY         | 1                      |

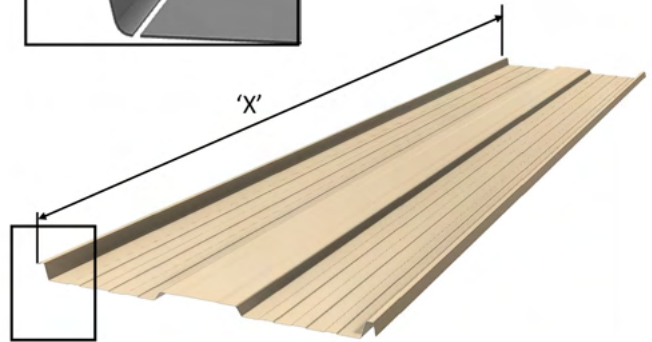
|             |                     |
|-------------|---------------------|
| SHEET       | <b>E</b>            |
| DESCRIPTION | ROOF SHEET          |
| LENGTH "X"  | 3 ft 10 in (1169mm) |
| QTY         | 5                   |

|             |                         |
|-------------|-------------------------|
| SHEET       | <b>G</b>                |
| DESCRIPTION | DOOR PANEL CENTRE       |
| LENGTH "X"  | 3 ft 10 3/4 in (1188mm) |
| QTY         | 1                       |

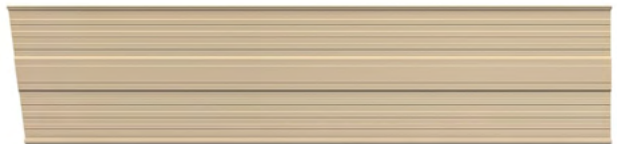
NB: F Door panels come partially Slit



SPLIT CUT ALONG  
SHEET LENGTH



|             |                         |
|-------------|-------------------------|
| SHEET       | <b>F</b>                |
| DESCRIPTION | DOOR PANEL SIDE         |
| LENGTH "X"  | 3 ft 10 3/4 in (1188mm) |
| QTY         | 2                       |





|             |                           |
|-------------|---------------------------|
| SHEET       | <b>A1, A2, A3</b>         |
| DESCRIPTION | RIGHT SKILLION WALL PANEL |
| QTY         | 1 + 1 + 1                 |





|             |                          |
|-------------|--------------------------|
| SHEET       | <b>B1, B2, B3</b>        |
| DESCRIPTION | LEFT SKILLION WALL PANEL |
| QTY         | 1 + 1 + 1                |


## SECTIONS


| CHANNEL        | H                                |  |
|----------------|----------------------------------|---|
| DESCRIPTION    | DOOR FRAME, TOP & BOTTOM CHANNEL |   |
| OVERALL LENGTH | 3 ft 3 11/16 in (1008mm)         |   |
| QTY            | 2                                |   |


| CHANNEL        | X                      |  |
|----------------|------------------------|---|
| DESCRIPTION    | FRONT WALL TOP CHANNEL |   |
| OVERALL LENGTH | 1 ft 2 5/16 in (363mm) |   |
| QTY            | 2                      |   |


| CHANNEL        | I                         |  |
|----------------|---------------------------|---|
| DESCRIPTION    | DOOR FRAME, SIDE          |   |
| OVERALL LENGTH | 3 ft 10 15/16 in (1192mm) |   |
| QTY            | 2                         |   |


| CHANNEL        | J                      |  |
|----------------|------------------------|--|
| DESCRIPTION    | DOOR SIDE BOXING       |  |
| OVERALL LENGTH | 3 ft 9 1/2 in (1156mm) |  |
| QTY            | 2                      |  |


| CHANNEL        | K                      |  |
|----------------|------------------------|---|
| DESCRIPTION    | DOOR BRACING CHANNEL   |   |
| OVERALL LENGTH | 2 ft 7 9/16 in (802mm) |   |
| QTY            | 2                      |   |


| CHANNEL        | M                                      |  |
|----------------|--|---|
| DESCRIPTION    | TOP / BOTTOM FRONT / REAR SIDE CHANNEL |   |
| OVERALL LENGTH | 5 ft 9 in (1753mm)                     |   |
| QTY            | 3                                      |   |


| CHANNEL        | N                   |  |
|----------------|---------------------|---|
| DESCRIPTION    | SIDE CHANNEL BOTTOM |   |
| OVERALL LENGTH | 1061mm              |   |
| QTY            | 2                   |   |


| CHANNEL        | O                      |  |
|----------------|------------------------|---|
| DESCRIPTION    | SIDE WALL PANEL        |   |
| OVERALL LENGTH | 3 ft 6 3/8 in (1077mm) |   |
| QTY            | 2                      |   |


| CHANNEL        | P                      |  |
|----------------|------------------------|---|
| DESCRIPTION    | ROOF BRACING           |   |
| OVERALL LENGTH | 3 ft 9 1/4 in (1150mm) |   |
| QTY            | 2                      |   |

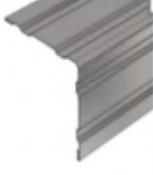
| CHANNEL        | Q                       |  |
|----------------|-------------------------|---|
| DESCRIPTION    | DOOR JAMB CHANNEL       |   |
| OVERALL LENGTH | 4 ft 1 3/16 in (1188mm) |   |
| QTY            | 2                       |   |


| CHANNEL        | R                          |  |
|----------------|----------------------------|---|
| DESCRIPTION    | BOTTOM DOOR SPACER CHANNEL |   |
| OVERALL LENGTH | 3 ft 4 3/16 in (1021mm)    |   |
| QTY            | 1                          |   |

| CHANNEL        | S                         |  |
|----------------|---------------------------|--|
| DESCRIPTION    | ROOF FRONT / REAR CHANNEL |  |
| OVERALL LENGTH | 5 ft 9 in (1753mm)        |  |
| QTY            | 2                         |  |

| CHANNEL        | T                         |  |
|----------------|---------------------------|---|
| DESCRIPTION    | ROOF HOLDER 30X30 ANGLE   |   |
| OVERALL LENGTH | 4 ft 11 13/16 in (1520mm) |   |
| QTY            | 1                         |   |

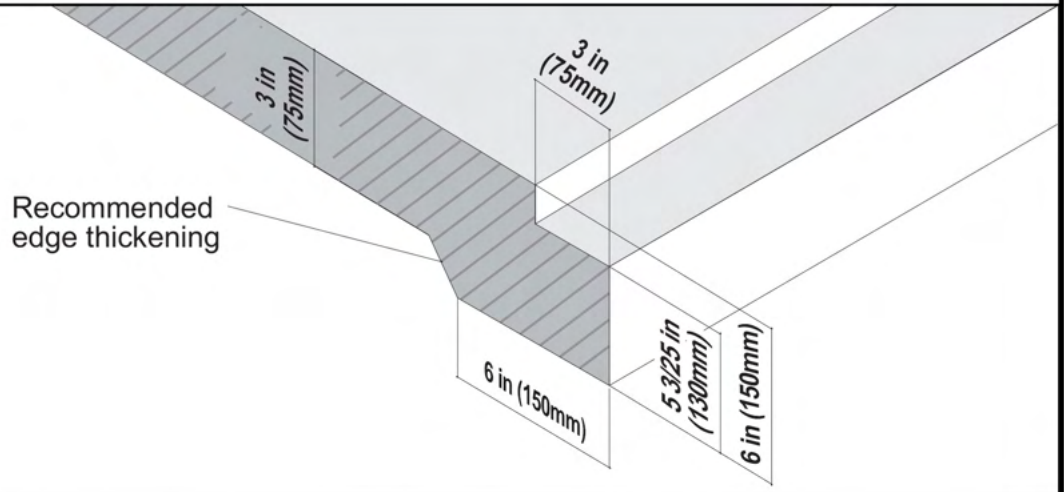
| CHANNEL        | U                         |  |
|----------------|---------------------------|---|
| DESCRIPTION    | DOOR RAMP                 |   |
| OVERALL LENGTH | 4 ft 11 13/16 in (1520mm) |   |
| QTY            | 2                         |   |

| CHANNEL        | V                        |  |
|----------------|--------------------------|---|
| DESCRIPTION    | GUTTER TRIM              |   |
| OVERALL LENGTH | 5 ft 9 15/16 in (1776mm) |   |
| QTY            | 2                        |   |

| CHANNEL        | W                       |  |
|----------------|-------------------------|---|
| DESCRIPTION    | ROOF ANGLE TRIM         |   |
| OVERALL LENGTH | 3 ft 10 1/4 in (1175mm) |   |
| QTY            | 2                       |   |

## FOUNDATION

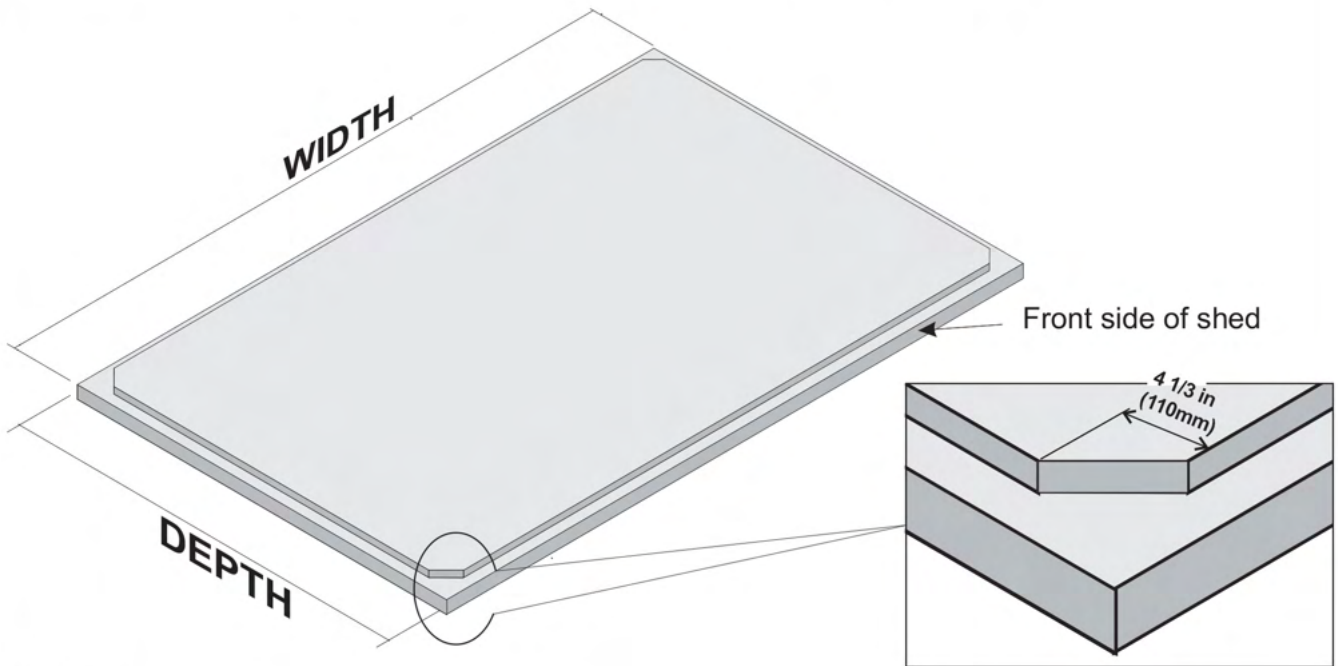
### RECOMMENDED SLAB REBATE DETAILS



Recommended slab rebate detail

Although not required, it is strongly recommended that, to avoid water leakage around the base of your shed, a rebate be cast into the slab. This will allow the shed to sit below the slab level and prevent water from reaching the upper level of the slab.

If you planning a rebated slab make sure to cut the 4 corners at 110 x 45 as shown in detail below

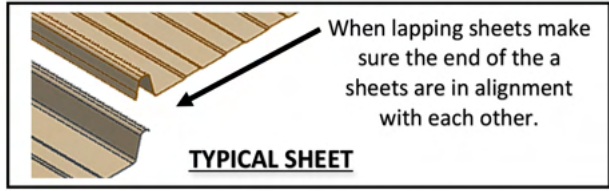
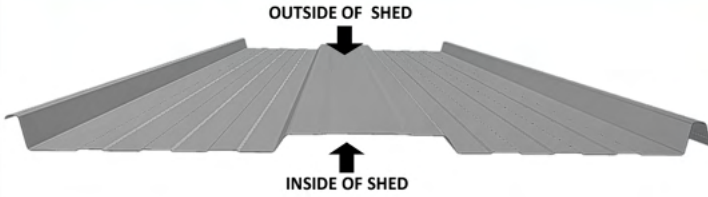


#### Slab Details:

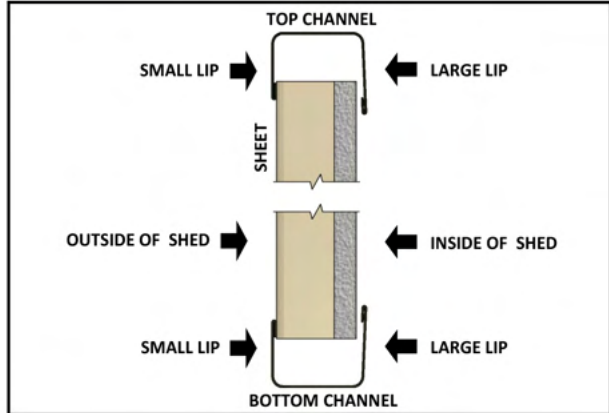
Your garden shed must be erected on a solid, level and square foundation. We strongly recommend you pour a concrete slab 3 in (75mm) thick, reinforced with SL62 mesh (minimum) using dimensions from the table below.

| SLED CODE | OUTER SLAB DESIGN (WIDTH x DEPTH)                     | ANCHORS M8 x 40mm |
|-----------|---|-------------------|
| S53       | 6 ft 1 7/16 in x 3 ft 10 1/16 in<br>(1865mm x 1170mm) | 7                 |

## TYPICAL SHEET FIXING DETAILS

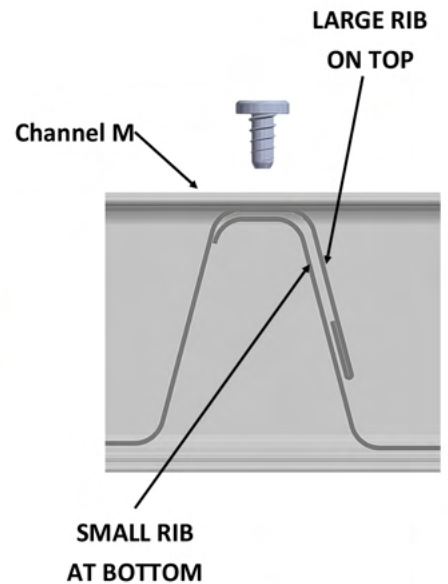
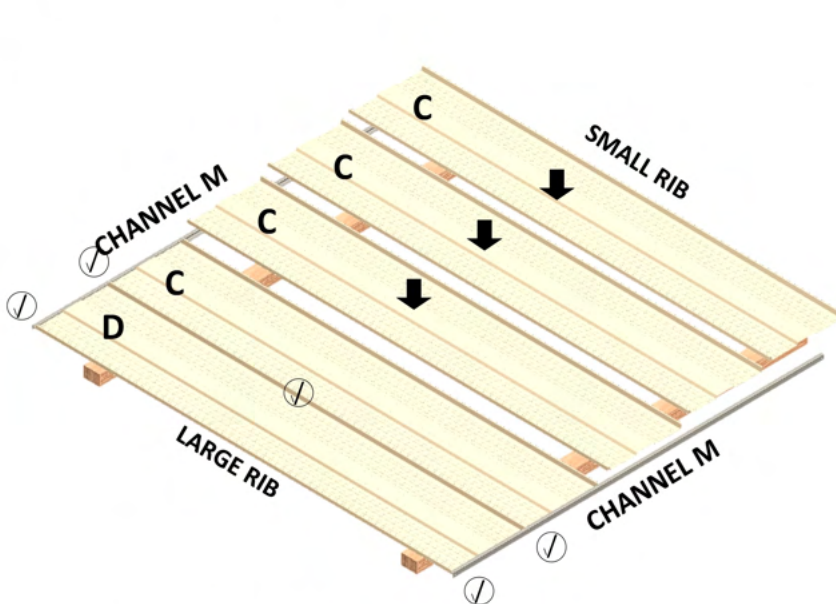


### TYPICAL SHEET LAP AT CORNER



On a clean and uninterrupted work area, we recommend lay suitable wood lengths or work trestles to support the panels off the ground. **DO NOT PUT ANY WEIGHT ON THE SHEETS BETWEEN THE WOOD LENGTHS AS THIS WILL DAMAGE THE SHEETING.**

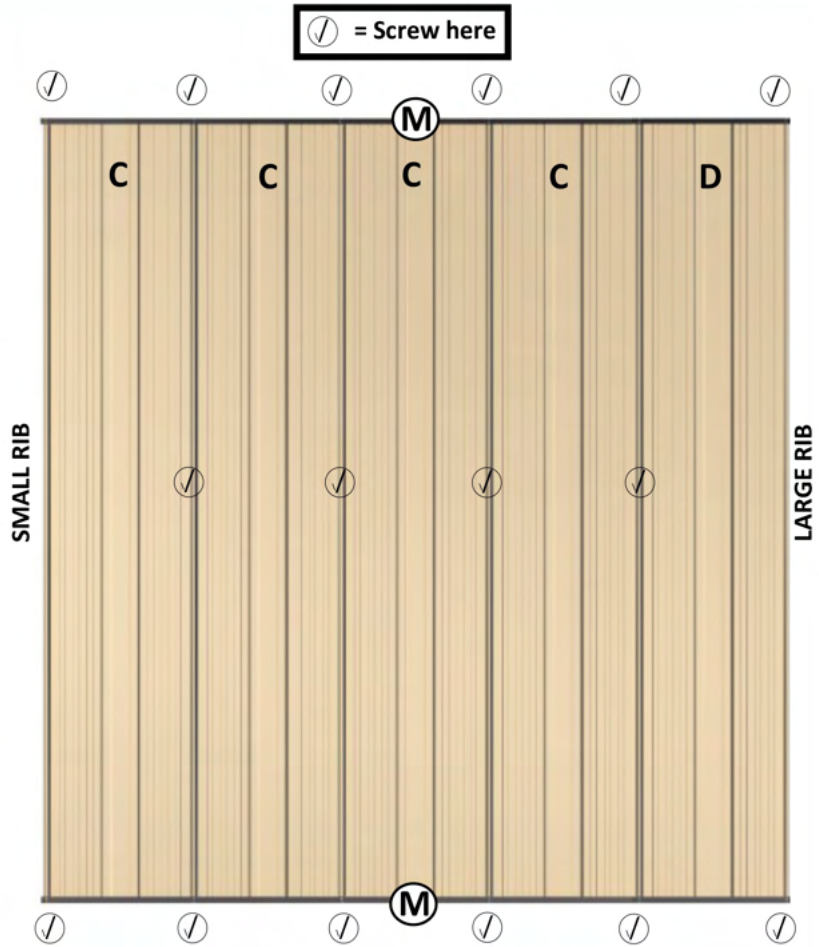
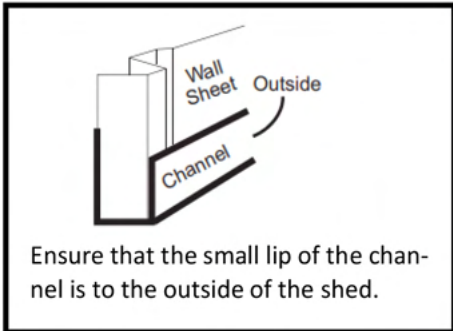
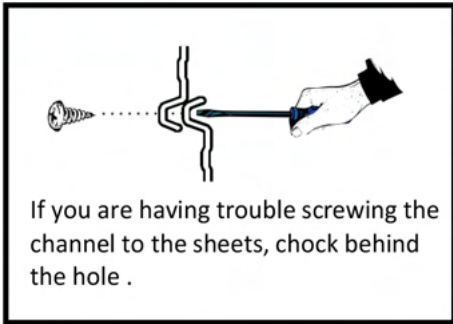
Locate the required panels and assemble them as shown above. Lay the next sheet on top of the first one making sure the LARGE RIB covers the SMALL RIB. Lightly tap the bottom of the sheet to make the bottom edge in alignment if required.



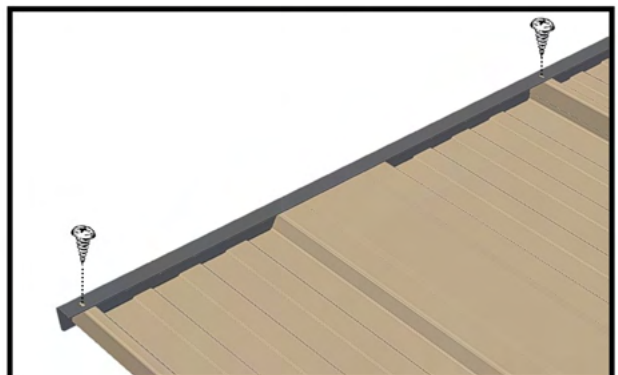
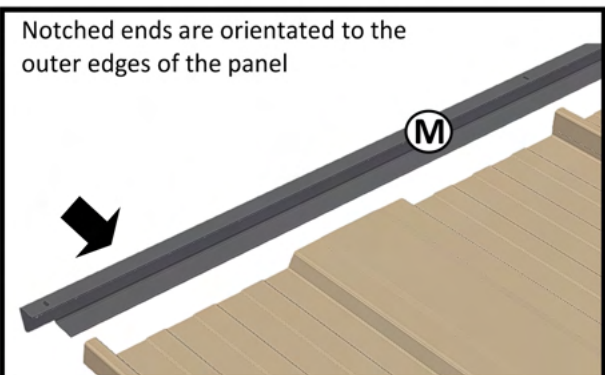
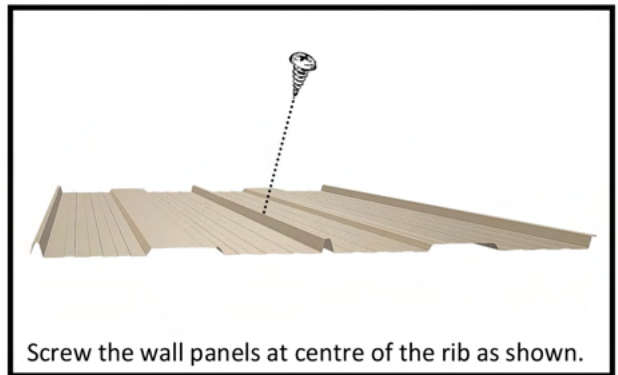
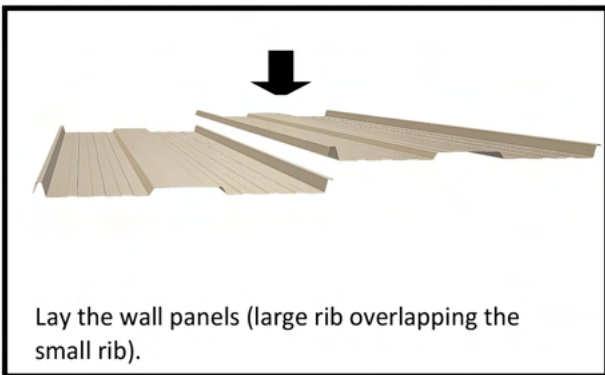
Ⓢ Screw here.



## REAR WALL PANEL




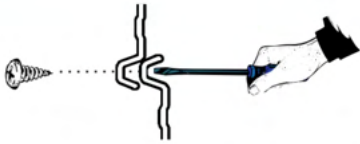
Fit the top and bottom channel to the wall panels. Ensure the channel is flush with the edge of the sheets.



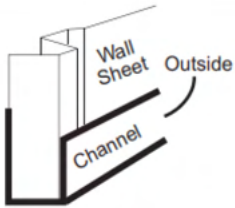
**NB:** Some channel holes may not align perfectly when the sheets are laid out. They can be easily manipulated into position and screw to the channel.

## FRONT WALL PANEL

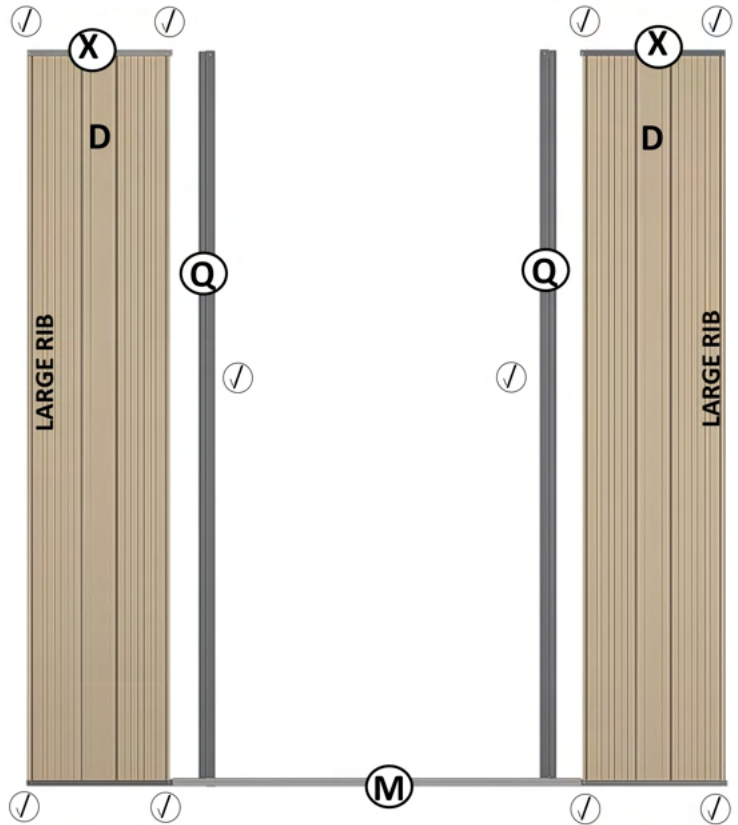
 = Screw here



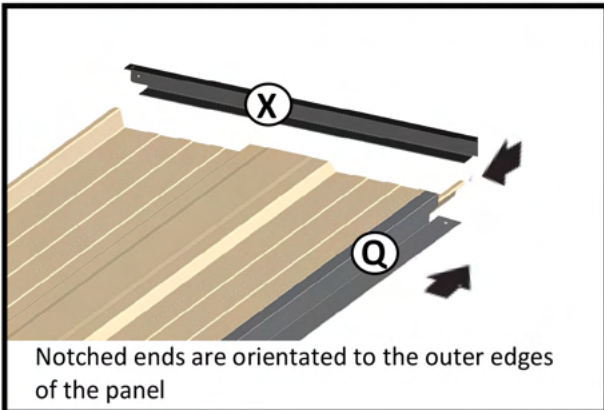
If you are having trouble screwing the channel to the sheets, chock behind the hole .



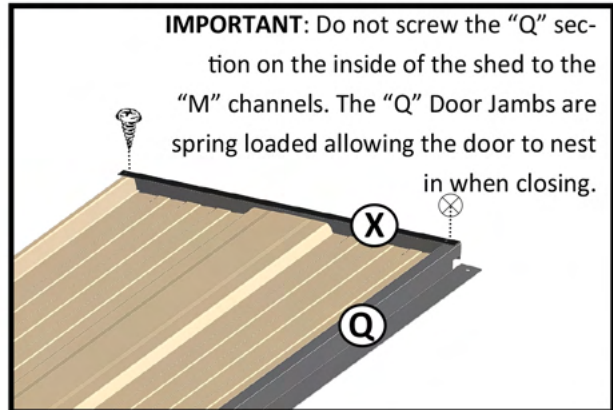
Ensure that the small lip of the channel is to the outside of the shed.



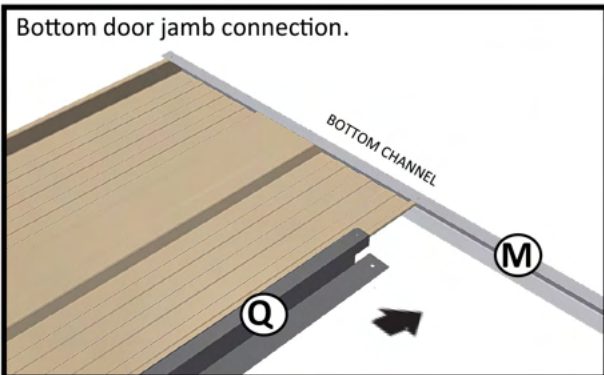
Fit the top and bottom channel to the wall panels. Ensure the channel is flush with the edge of the sheets.



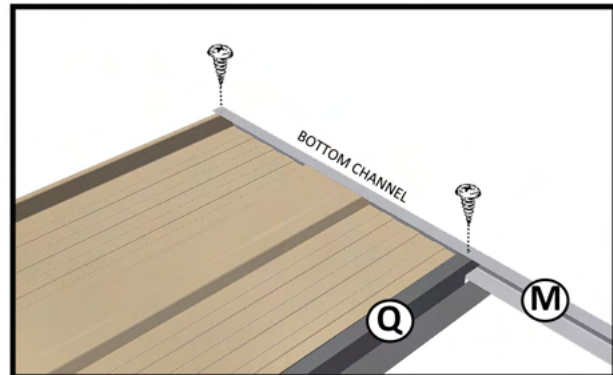
Notched ends are orientated to the outer edges of the panel



**IMPORTANT:** Do not screw the "Q" section on the inside of the shed to the "M" channels. The "Q" Door Jamb are spring loaded allowing the door to nest in when closing.

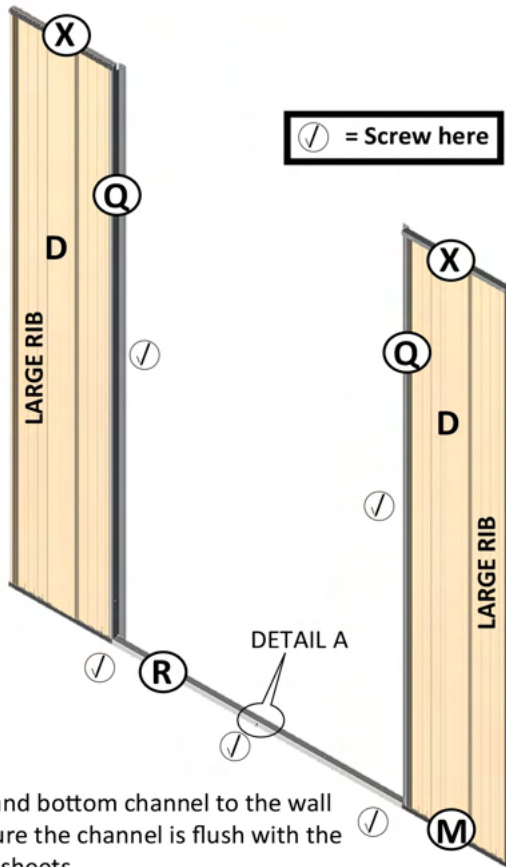


Bottom door jamb connection.

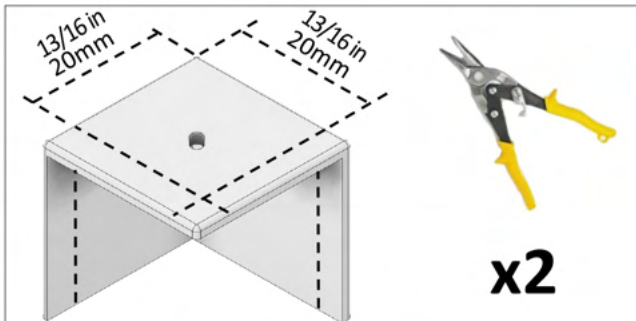
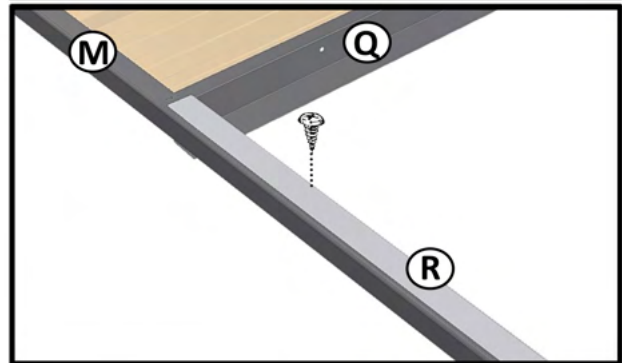
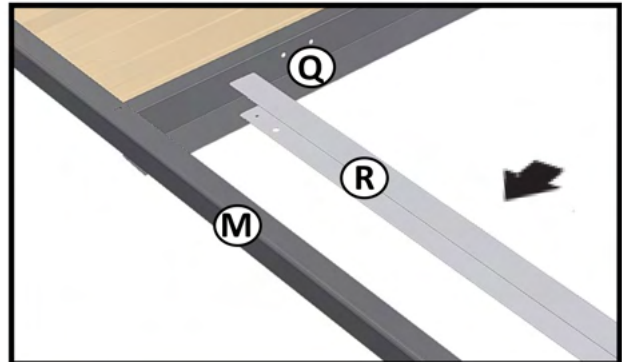
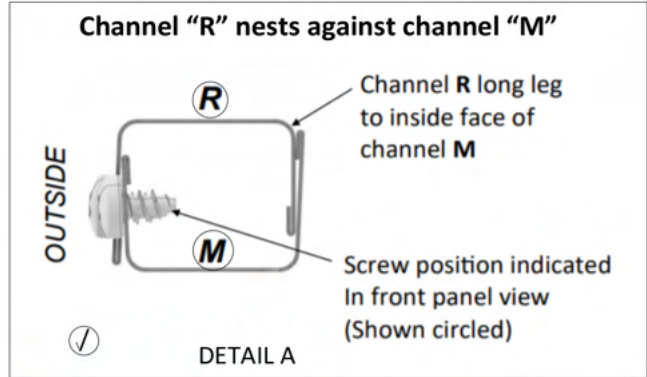


**NB:** Some channel holes may not align perfectly when the sheets are laid out. They can be easily manipulated into position and screw to the channel.

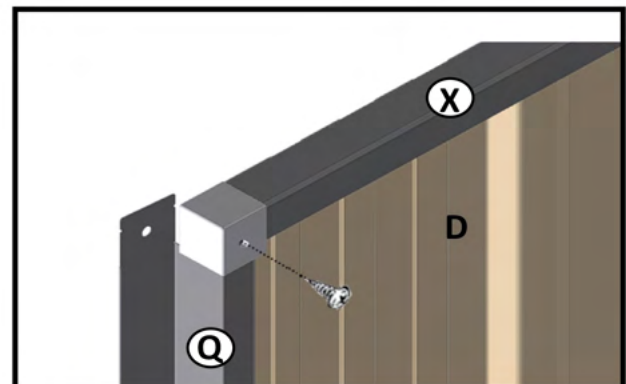
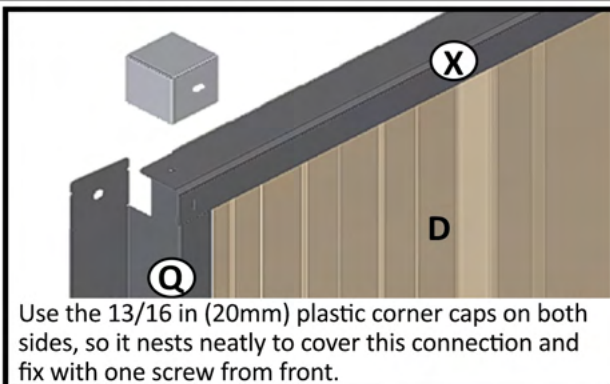
## FRONT WALL PANEL



Fit the top and bottom channel to the wall panels. Ensure the channel is flush with the edge of the sheets.

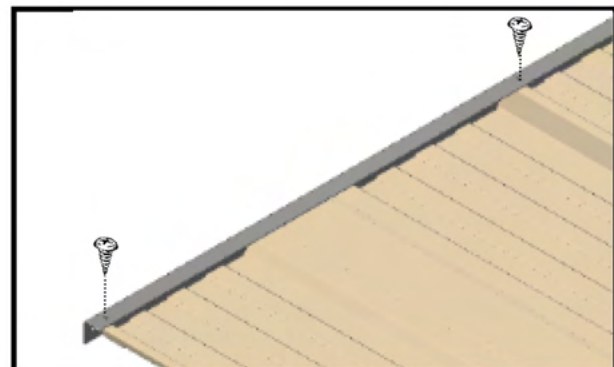
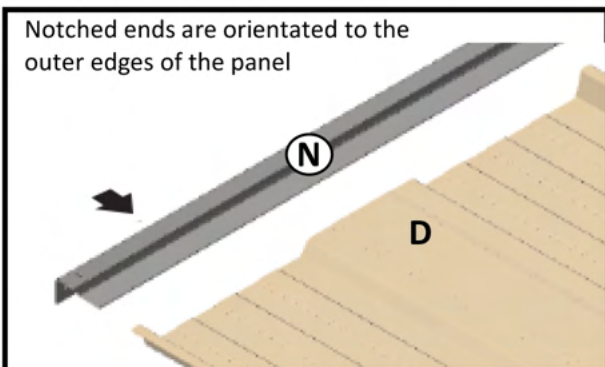
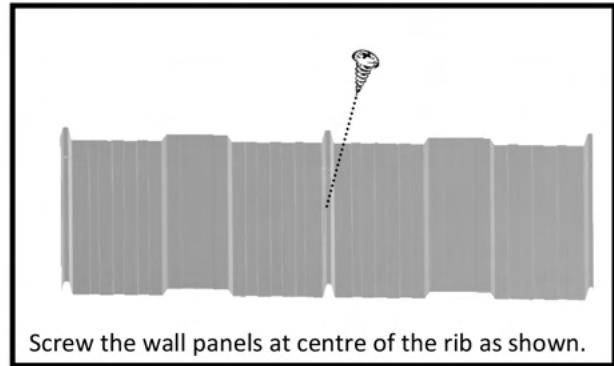
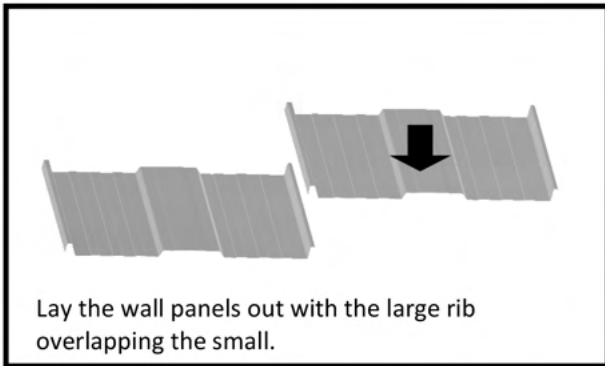
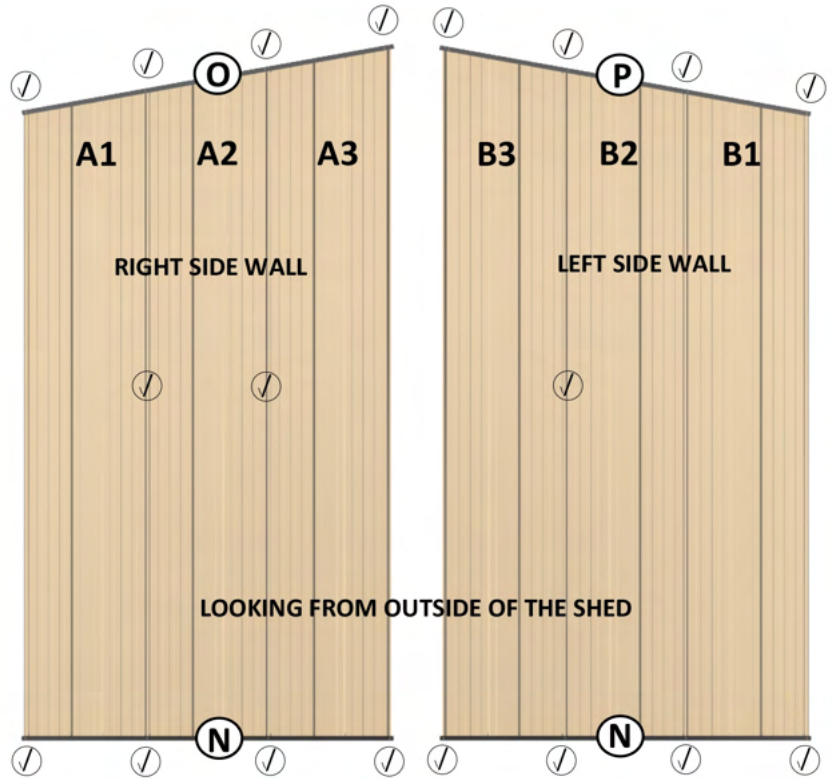
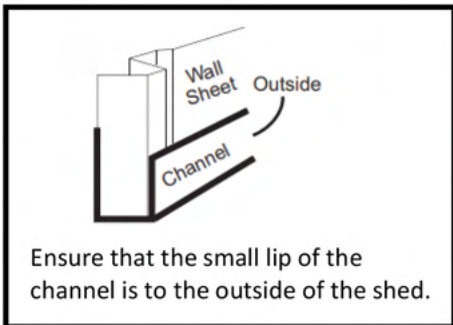
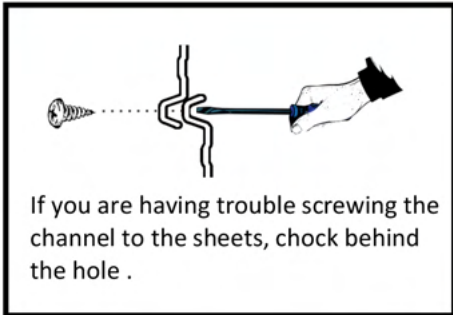


Cut 2 of the plastic corner cap to the size of 13/16 in (20mm) both sides.



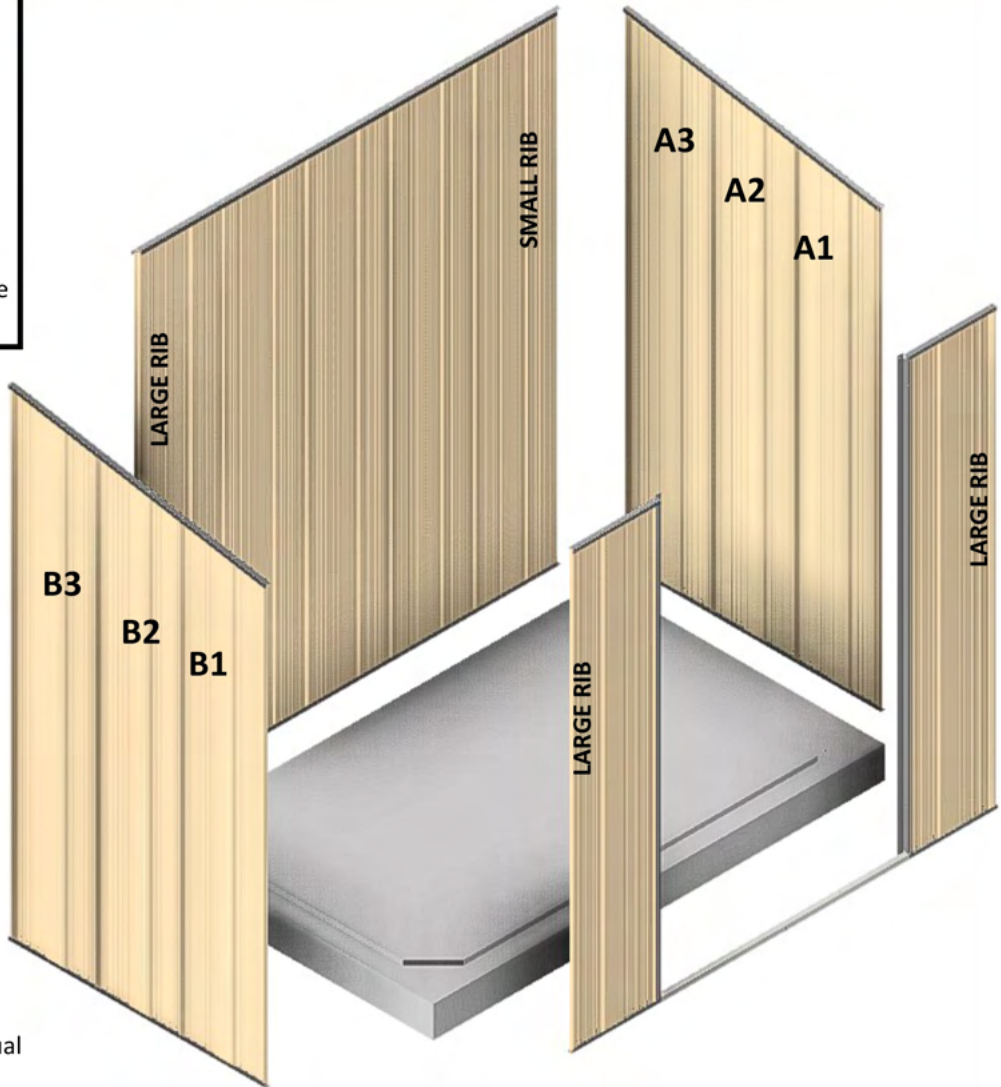
**NB: Some channel holes may not align perfectly when the sheets are laid out. They can be easily manipulated into position and screw to the channel.**

## SIDE WALL SHEET LAYING PROCEEDURE



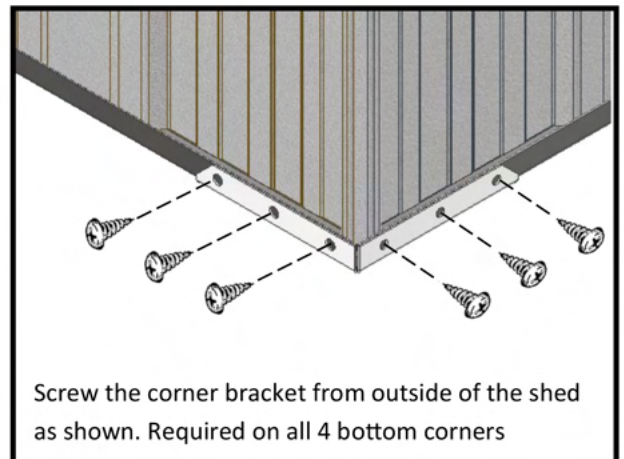
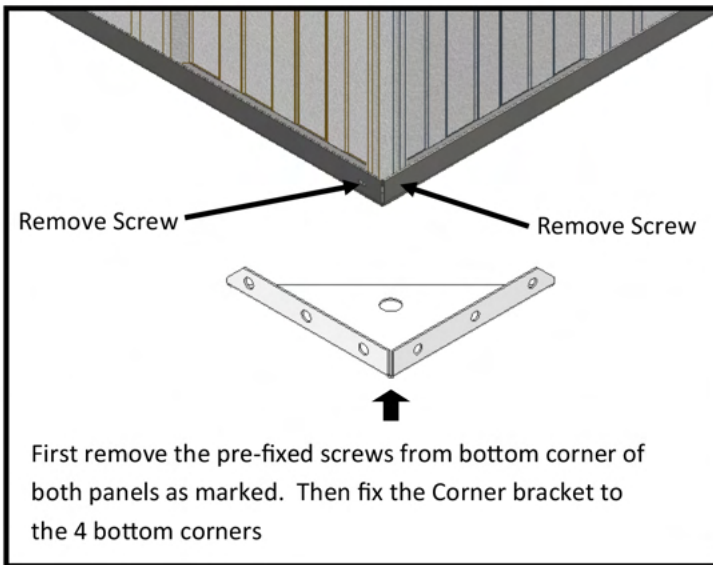
**NB:** Some channel holes may not align perfectly when the sheets are laid out. They can be easily manipulated into position and screw to the channel.

## STAND AND JOIN WALL PANELS

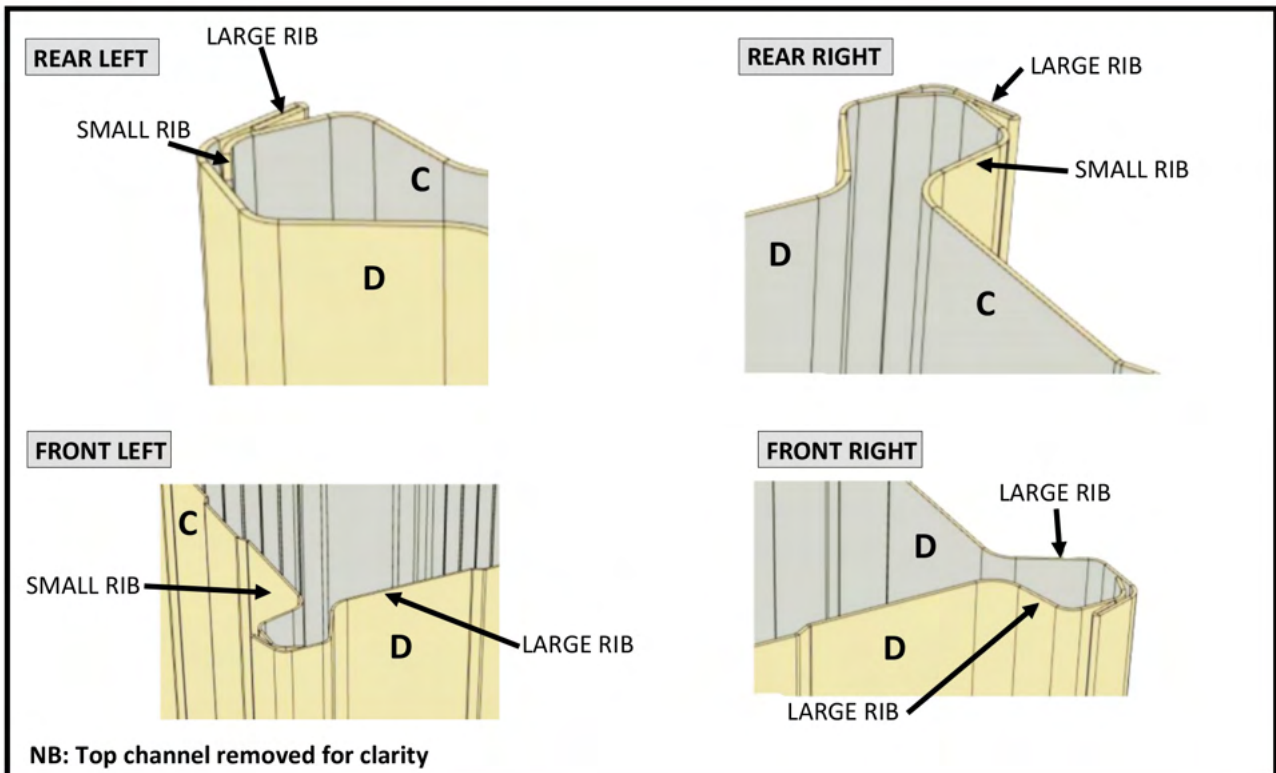


Before fitting the roof sheets make sure the diagonals are equal

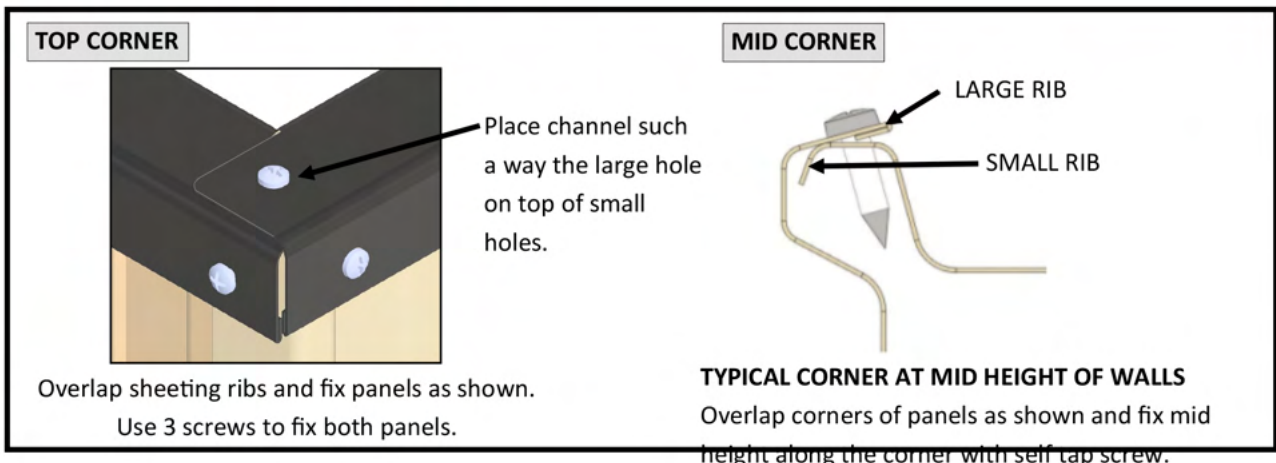
Once the four wall panels are assembled, they can now be stood and fixed together. Fix using the corner brackets and screws as shown below. Fix the front panel last. N.B: Extra care should be taken, with person two providing adequate support to stop the wall from distorting.



## TYPICAL CORNER OVER LAPPING

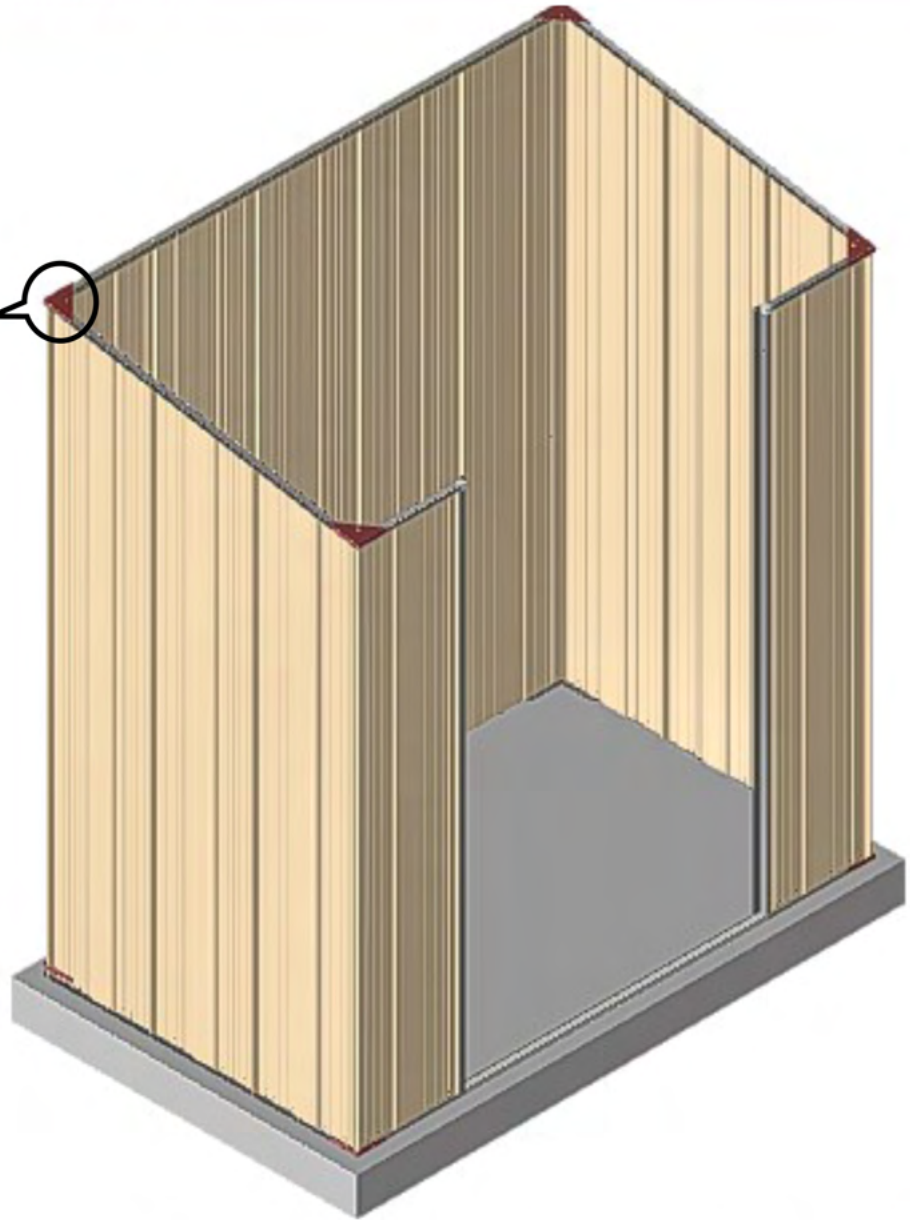


## TYPICAL CORNER SCREW FIXING

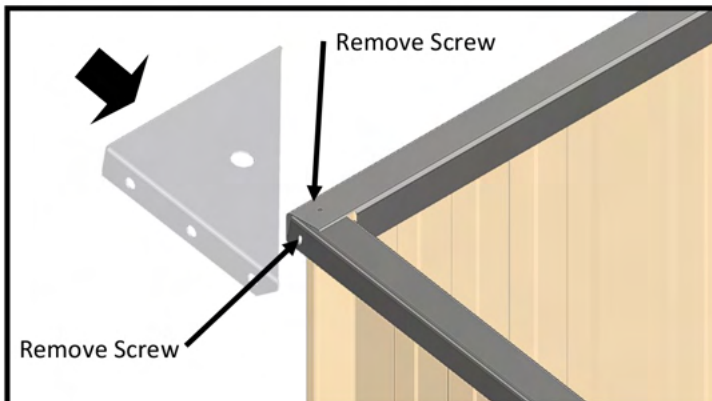


## FIXING TOP CORNER BRACKETS

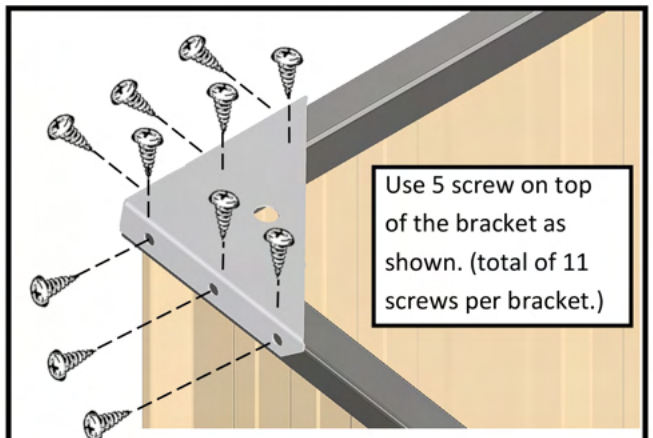
Typical top corner bracket fixing.



Once the wall panels are fixed in place and the bottom bracket screwed, now fix the top corner bracket on all 4 corners.

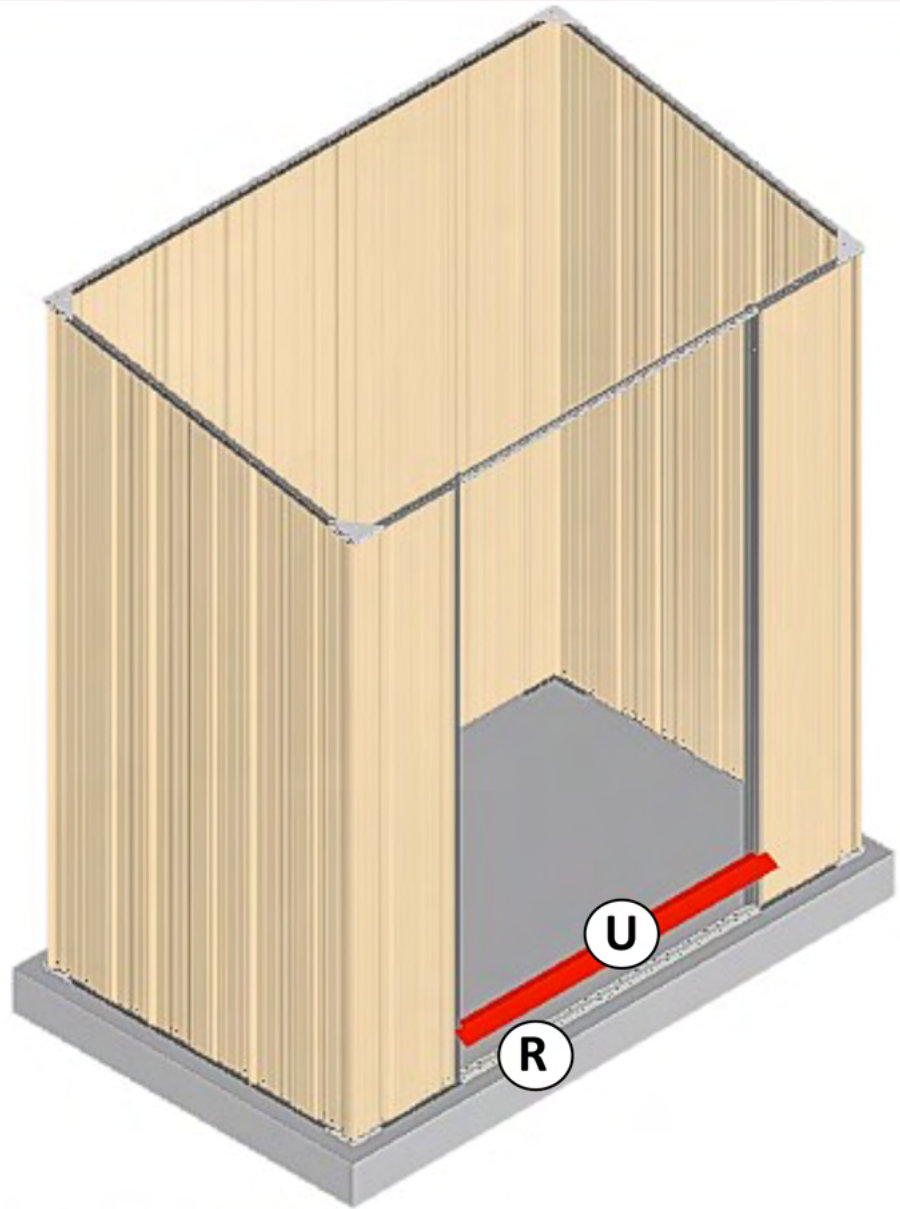


First remove the pre-fixed screws from Top corner of both panels as marked. Then fix the Corner bracket to the 4 Top corners

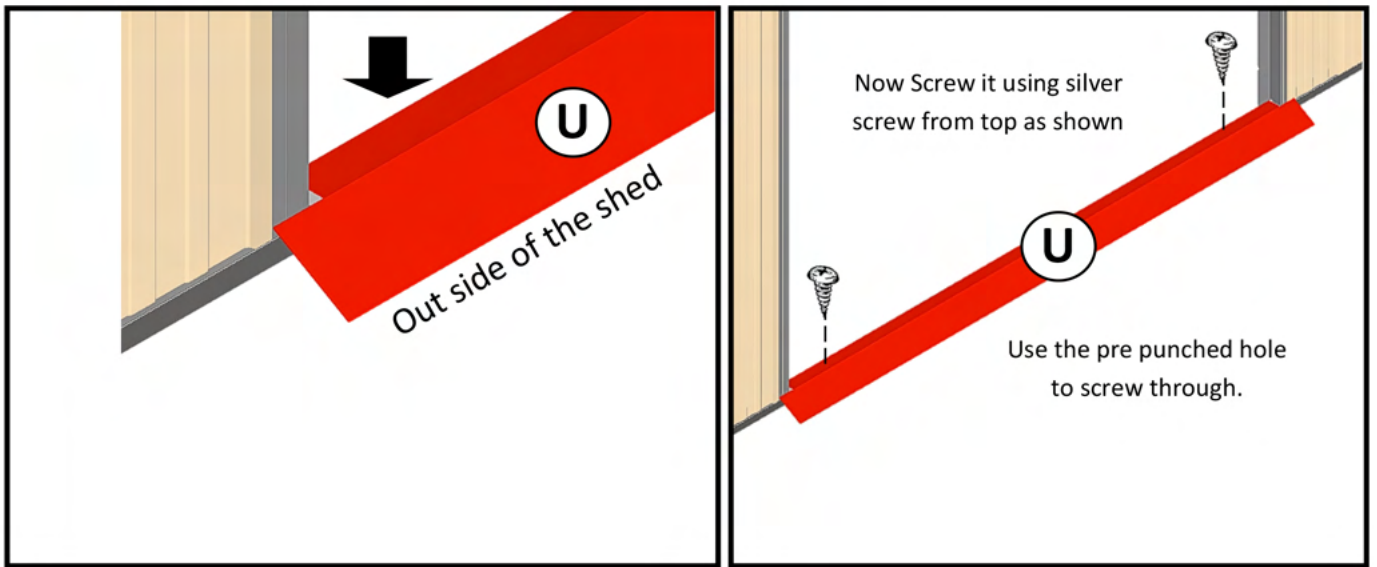


Screw the corner bracket from outside of the shed as shown. Required on all 4 Top corners

## FIXING DOOR RAMP

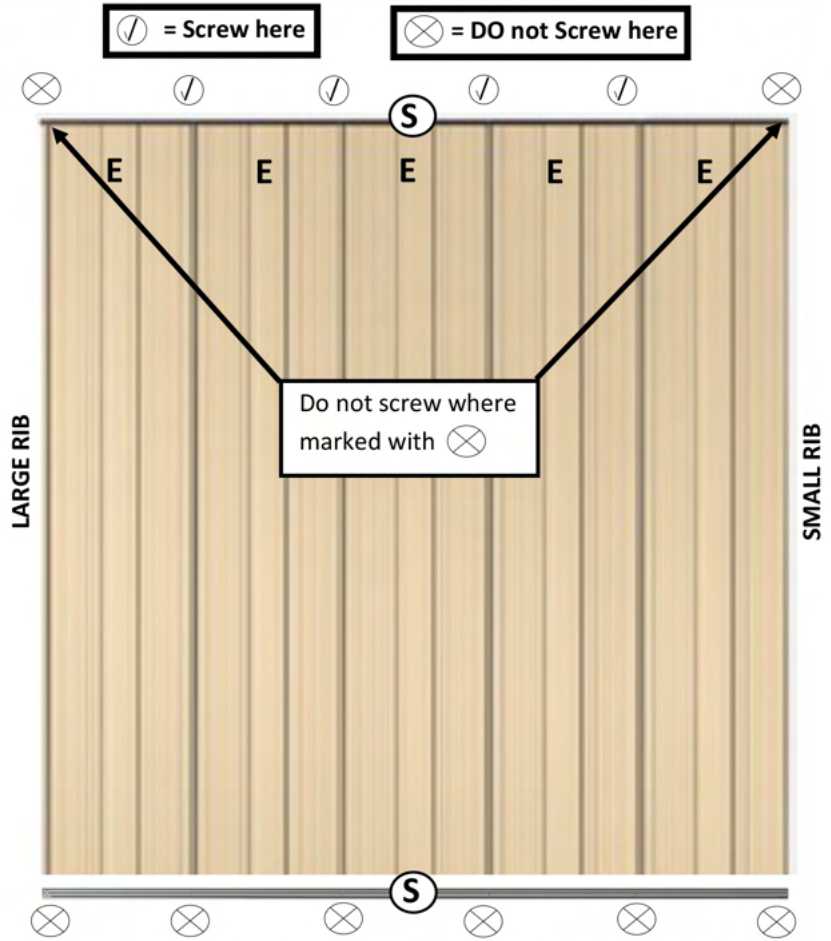
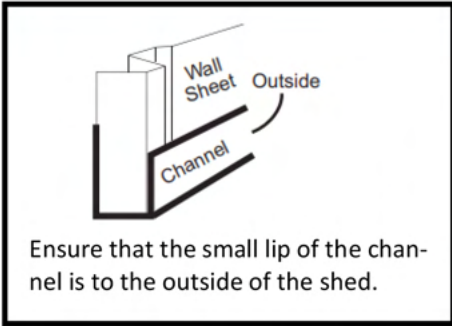


Place the Door Ramp "U" on top of channel "R". check the orientation of the Ramp.

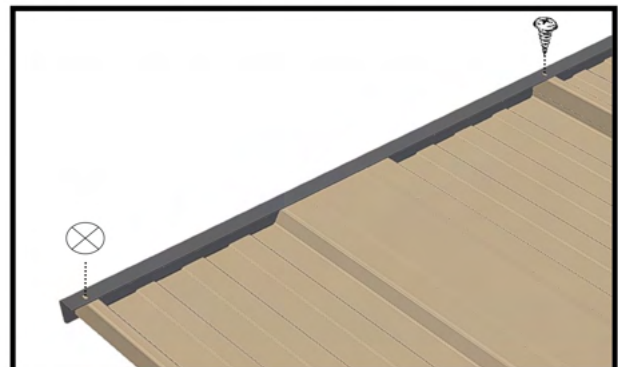
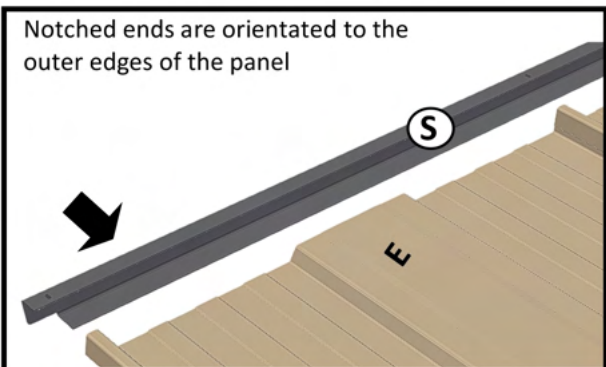
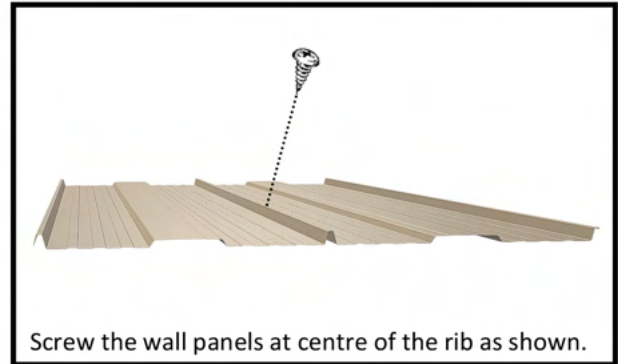
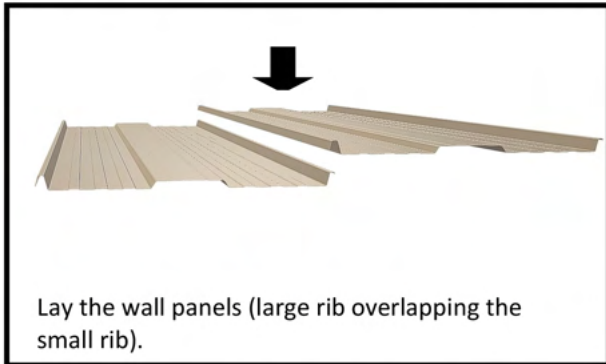




## LID PANEL

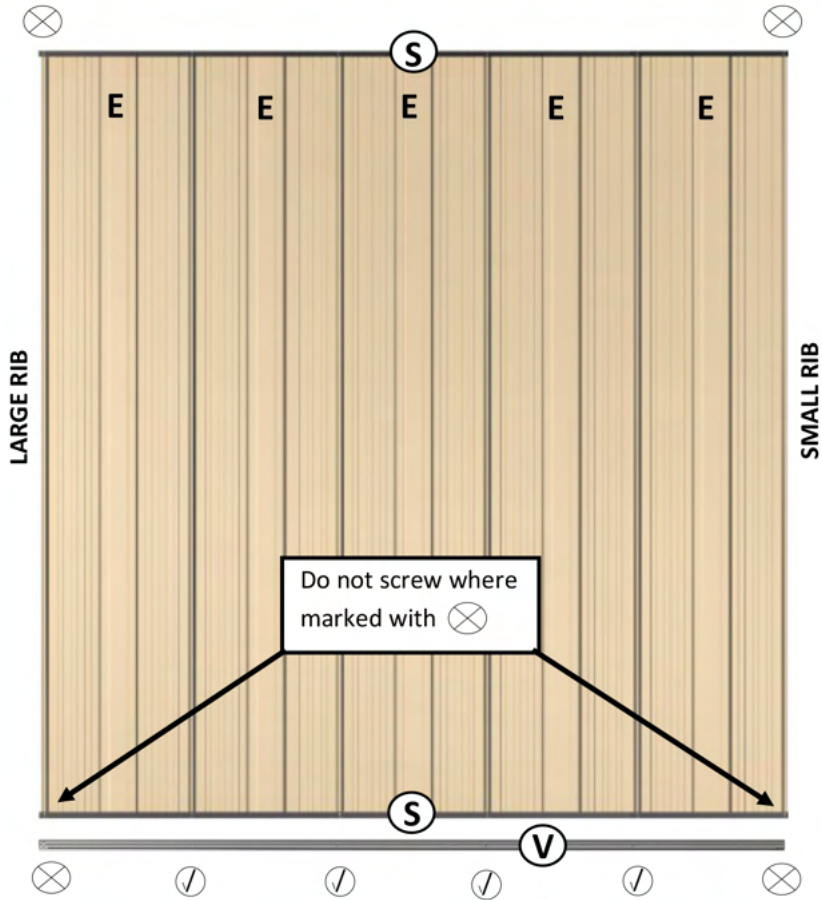


Attach the channel "S" to the rear side and secure it with 4 screws leaving the corners as shown. Align the other "S" channel at front, do not screw yet (refer next page).

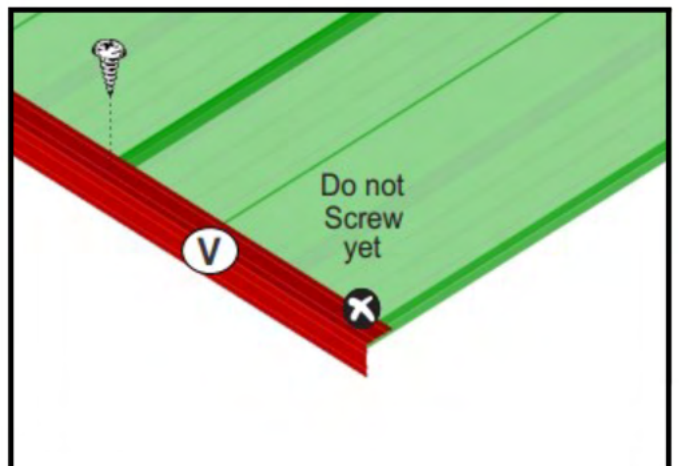
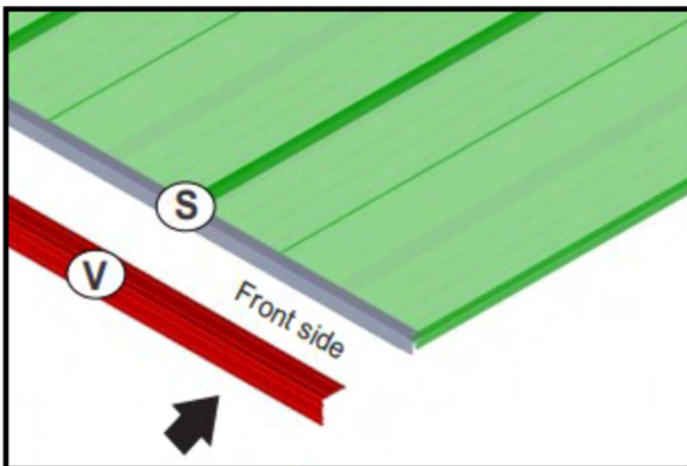


**NB:** Some channel holes may not align perfectly when the sheets are laid out. They can be easily manipulated into position and screw to the channel.

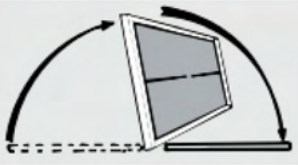
## LID PANEL



Place the front gutter trim "V" on top of the channel "S" and secure it by removing and replacing 4 middle screws as shown with the mark ✓. Make sure the screws are securing the trim "V" through channel "S" and to the sheeting. Do not screw where marked with X.

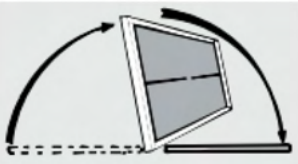
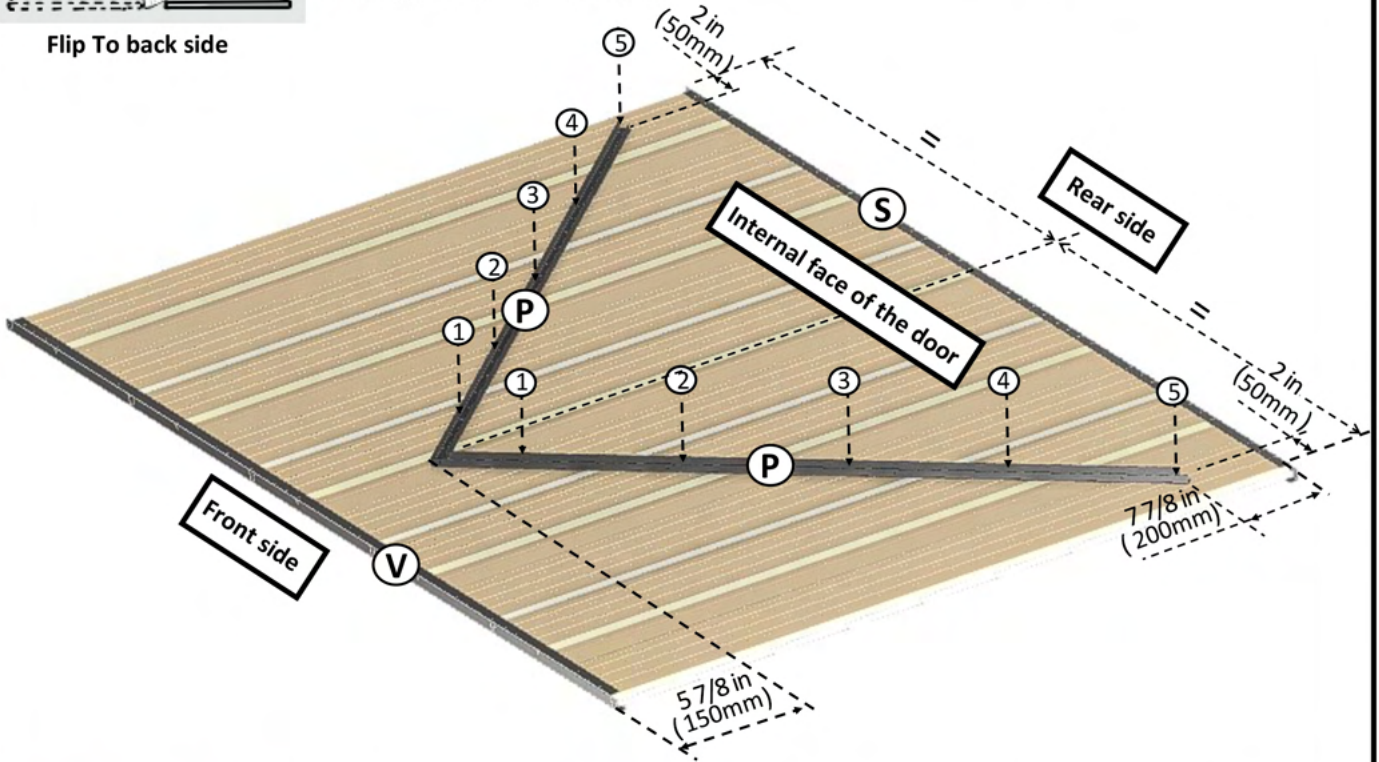


## LID PANEL



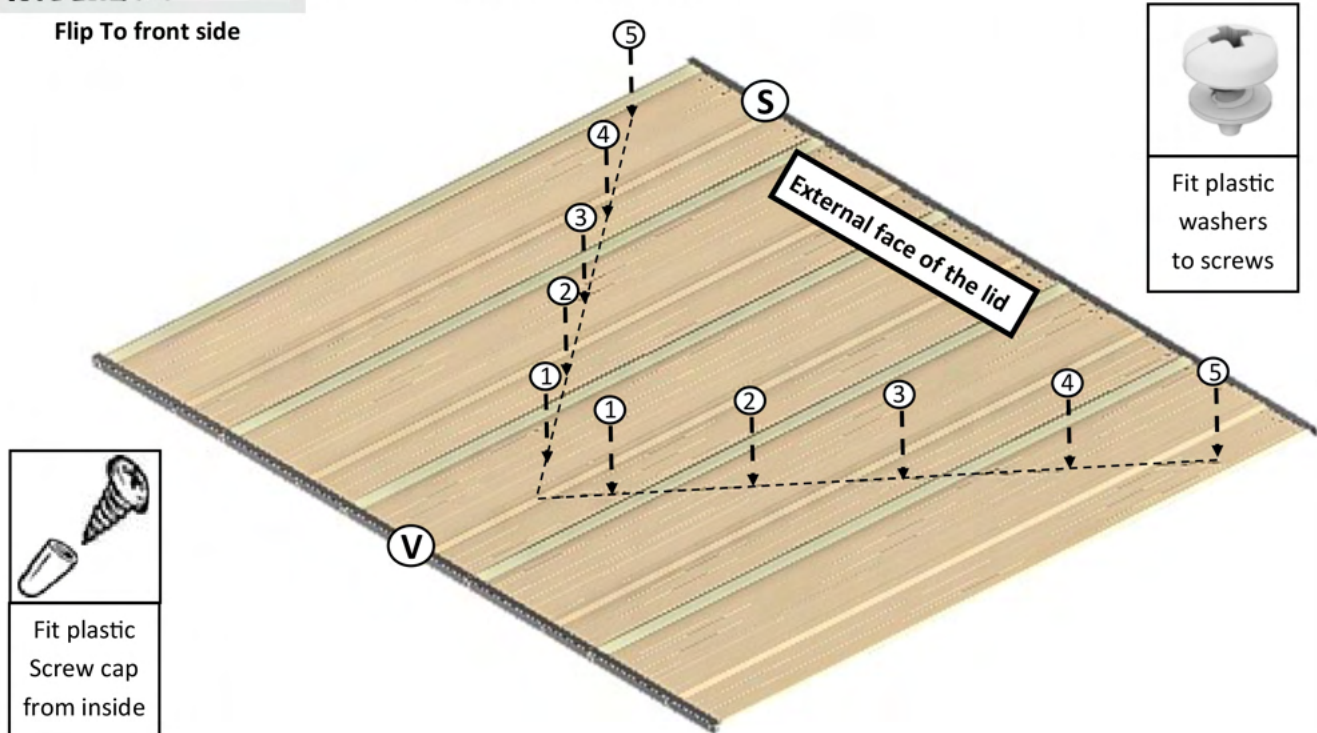
Flip To back side

Flip the Frame over so that the inner side of the roof on top, and place the Roof Bracing Channels "P" as Shown, on the inner side of the roof. Screw the front side, and adjust to the given dimensions from the edges of the roof panel. Now Pre drill 5 holes (1 to 5 as shown) on sheeting pan through each channels.

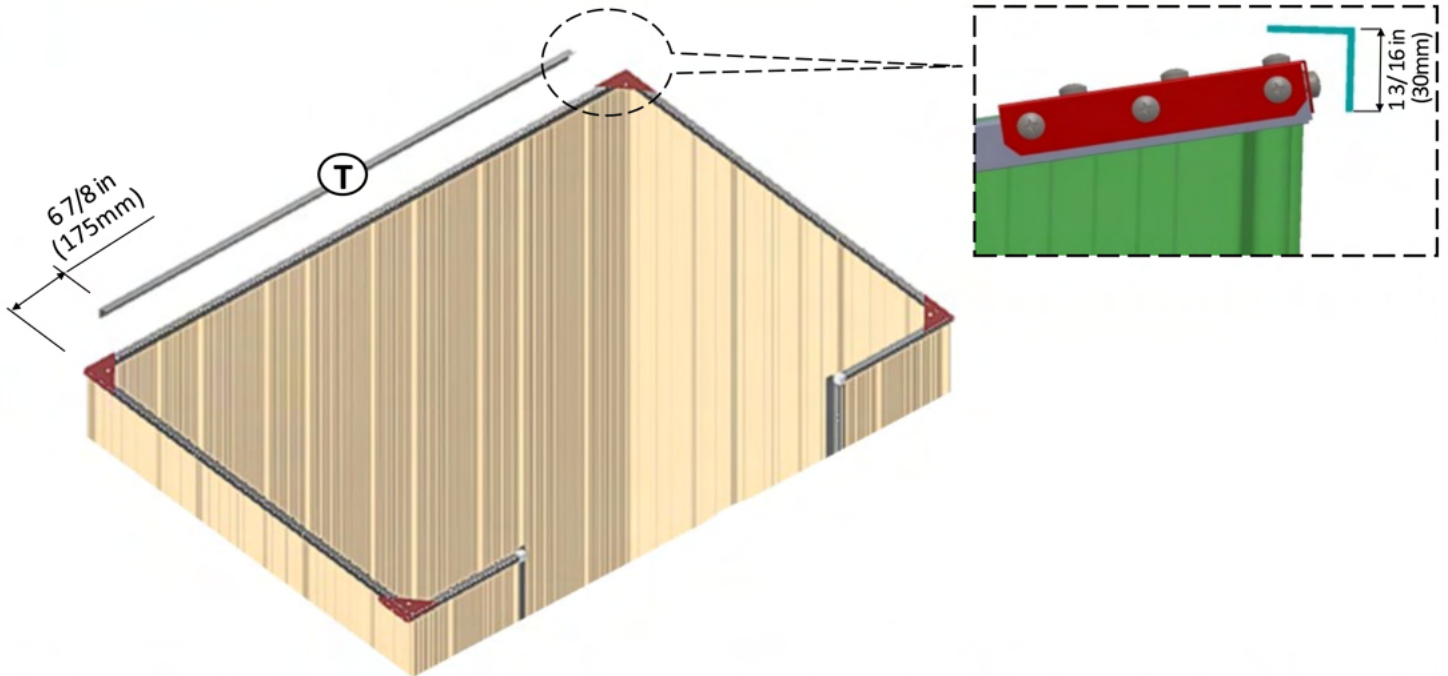


Flip To front side

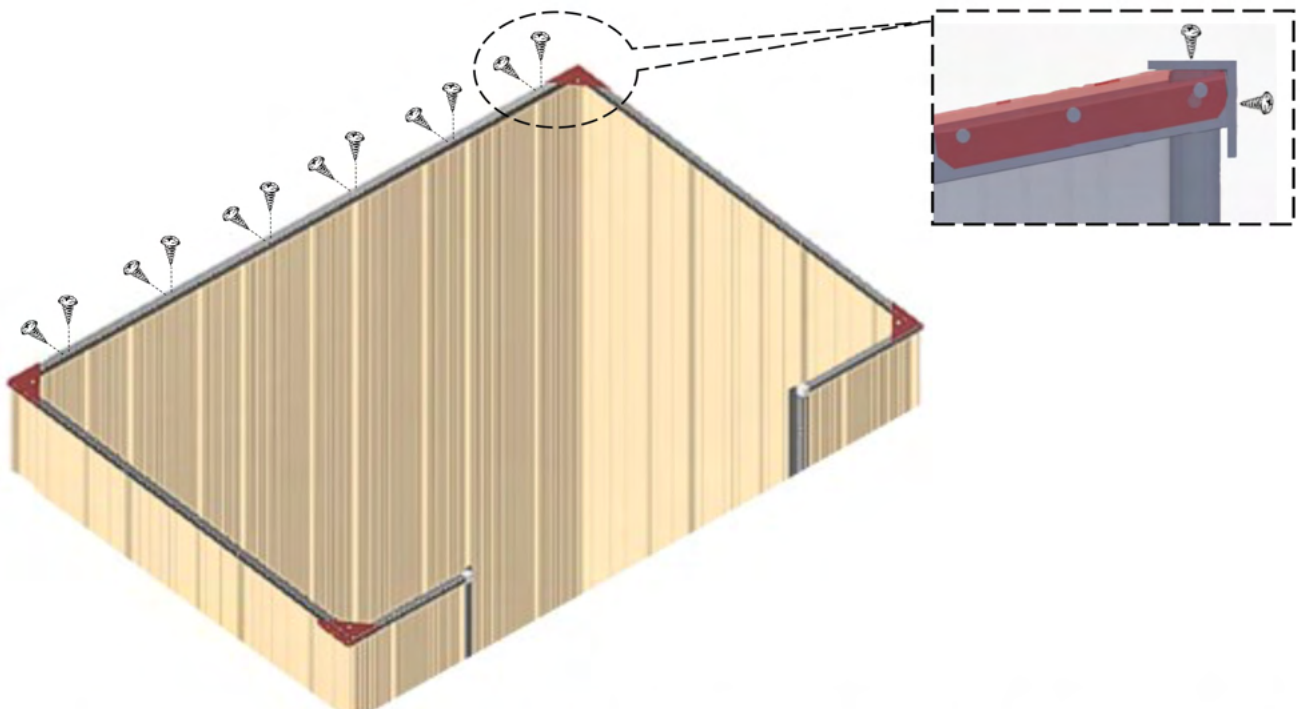
Flip the Roof back over to the Top side facing up. Using the pilot holes drilled before, fix the Roof bracing from the front with self tapping screws with washer. Make sure to position the bracing channel completely inside the roof channels. Use washer on outside the roof sheeting and screw cap on inside.



## LID PANEL

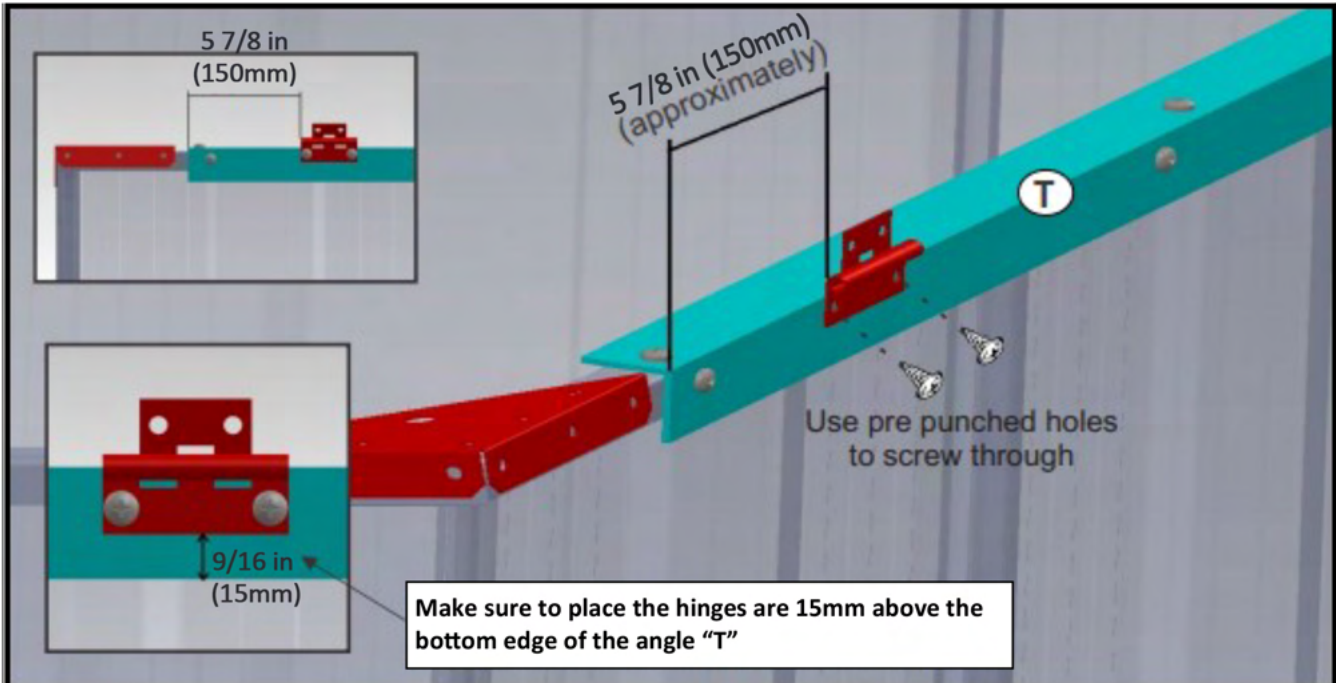


Place angle "T" on top of the rear wall channel as shown here. Make sure to place the angle equal distance (117mm) from both side of the shed.

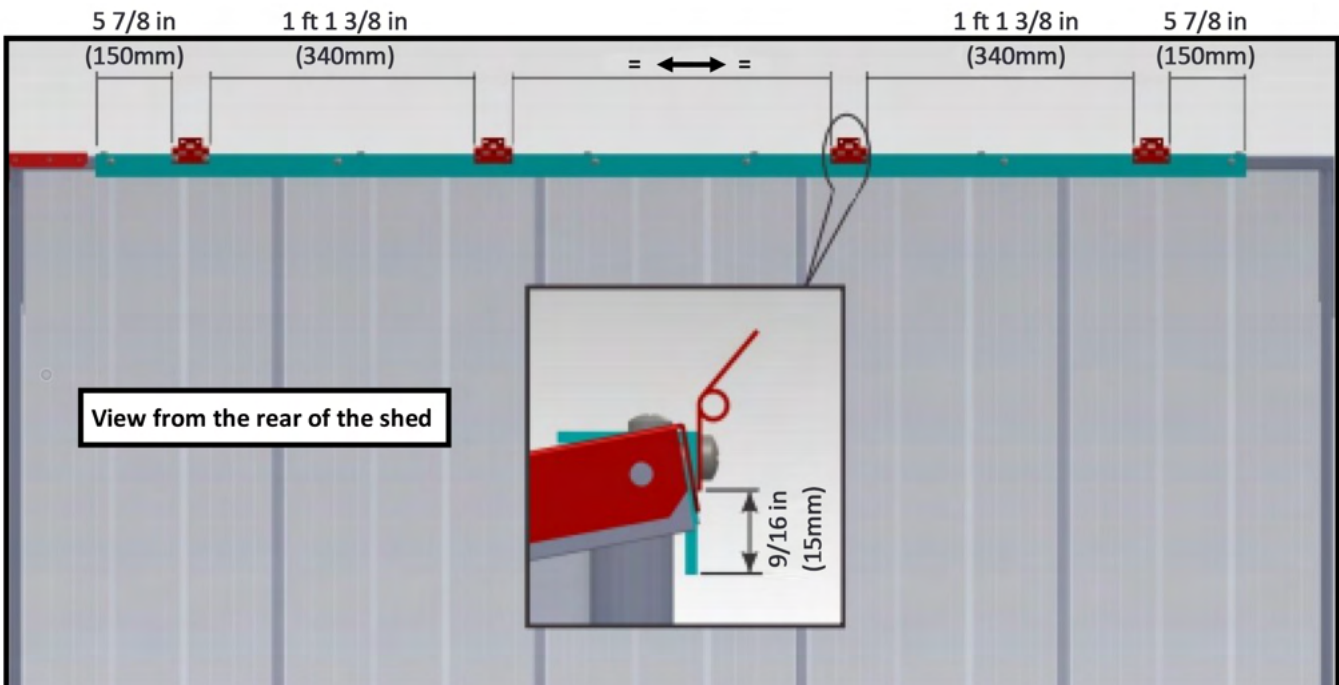


Now screw the angle "T" to rear wall top channel. Use the pre drilled holes on top and sides Make sure you do not screw the holes for fixing 4 Hinges later.

## LID PANEL

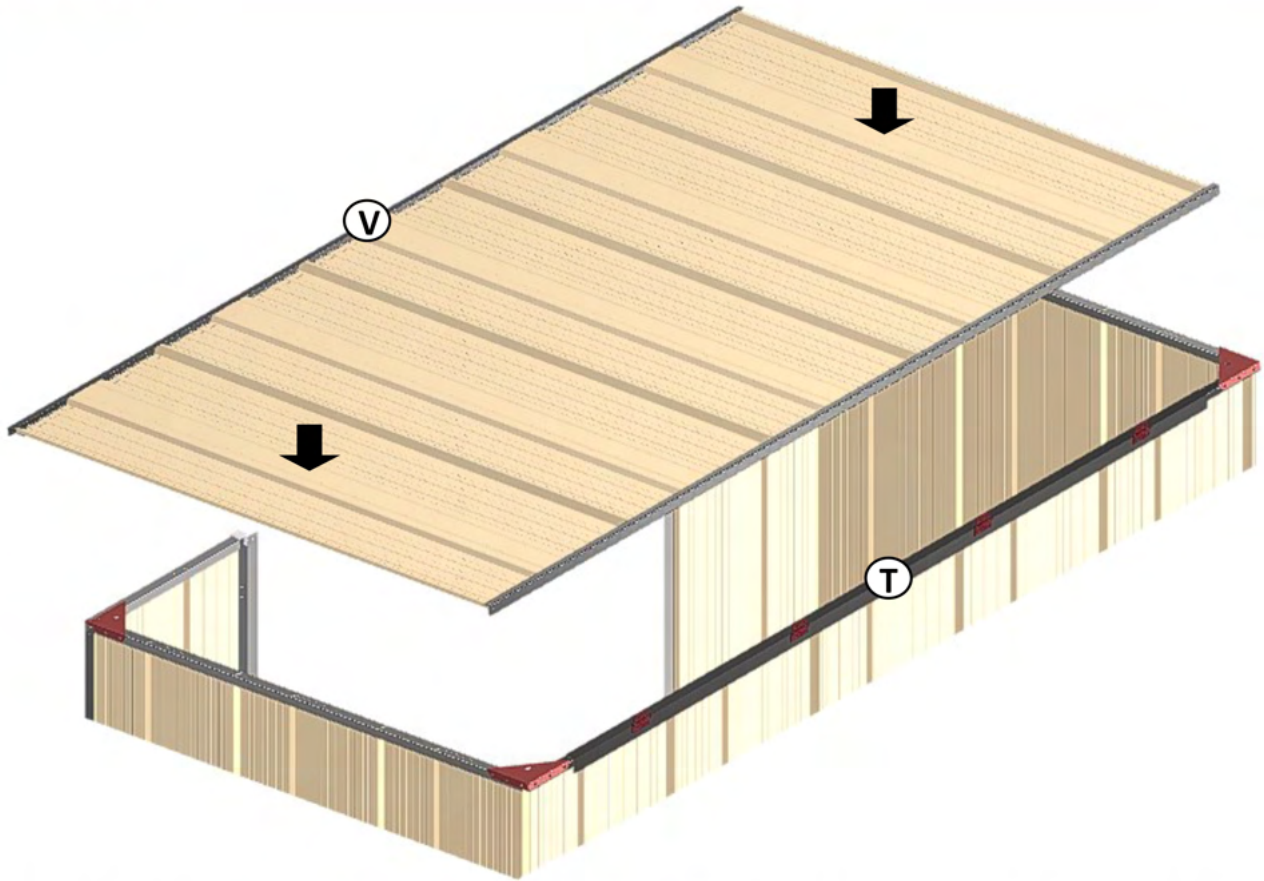


Now fix the hinges as shown here. The first hinge should be 150mm away from the edge. It is very important to follow the same orientation of the hinge as here.

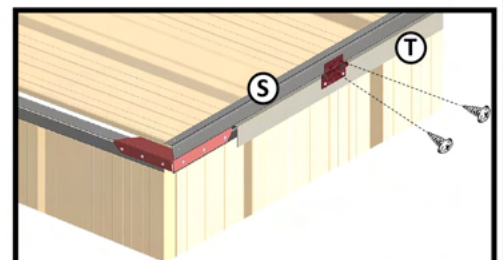
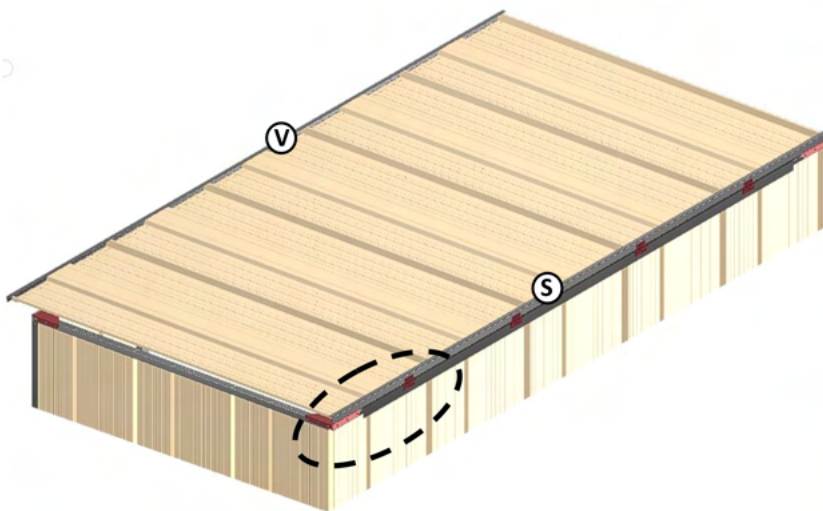


Fix the Hinges as shown. These dimensions are for reference only.

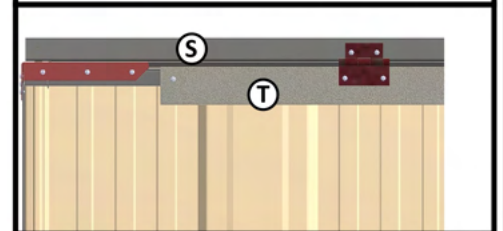
## LID PANEL



Now Place the roof Panel on top of the walls such a way that the Gutter trim "V" positioned towards the front of the shed, and the roof rear channel sit on top of the angle "T". Make sure that the roof panel is square to the shed.



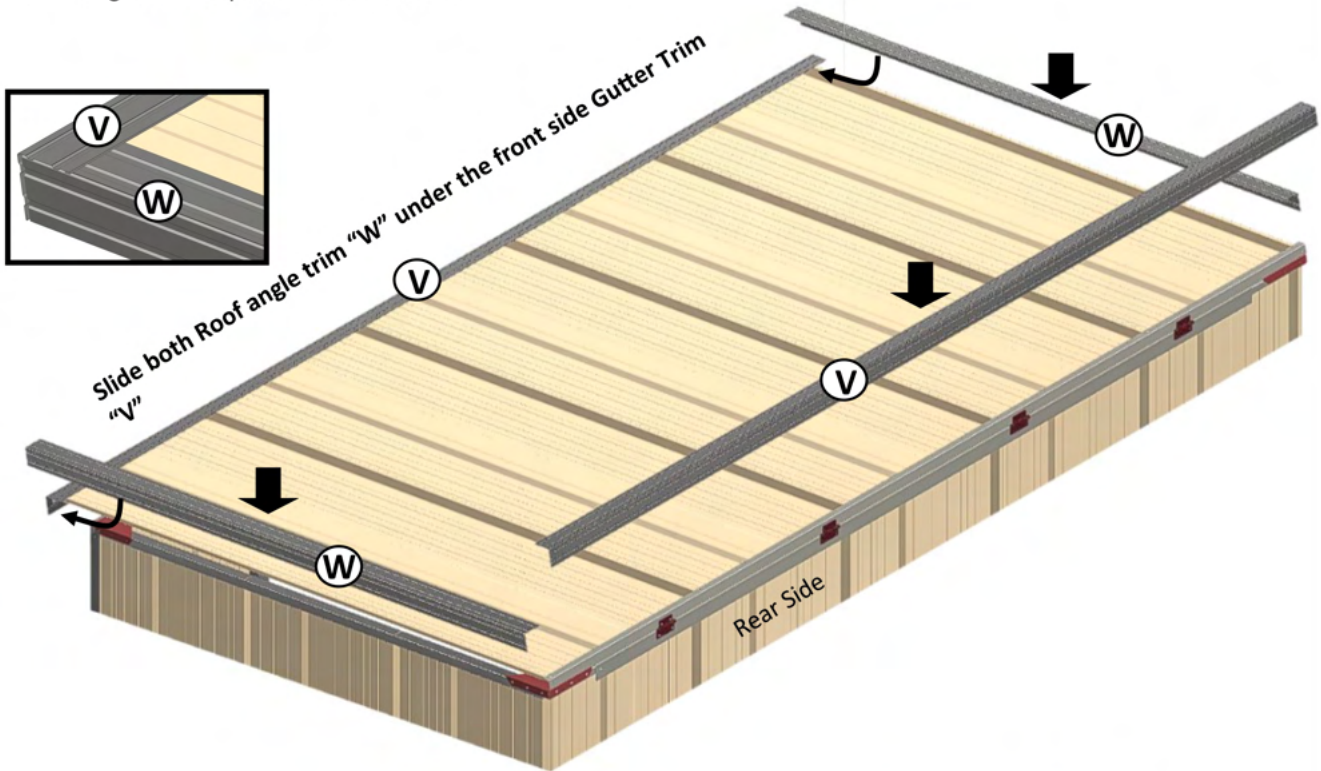
Screw the Roof panel through the hinges as shown.



Position the roof panel perfectly on top of the shed so that it overhang equally on both side of the wall. Screw it through the hinges.

## LID PANEL

Now place the gutter trim "V" at the rear side of shed as shown. Fix this Angle "V" through the sheeting in 4 places (Remove the screws previously fixed). Now Slide the Angle "W" underneath the front and rear Angle "V". and fix the corners using corner cap as in details below.



Place the Rear Trim "V" on top of gutter trims "W" screw it to the roof panel frame.

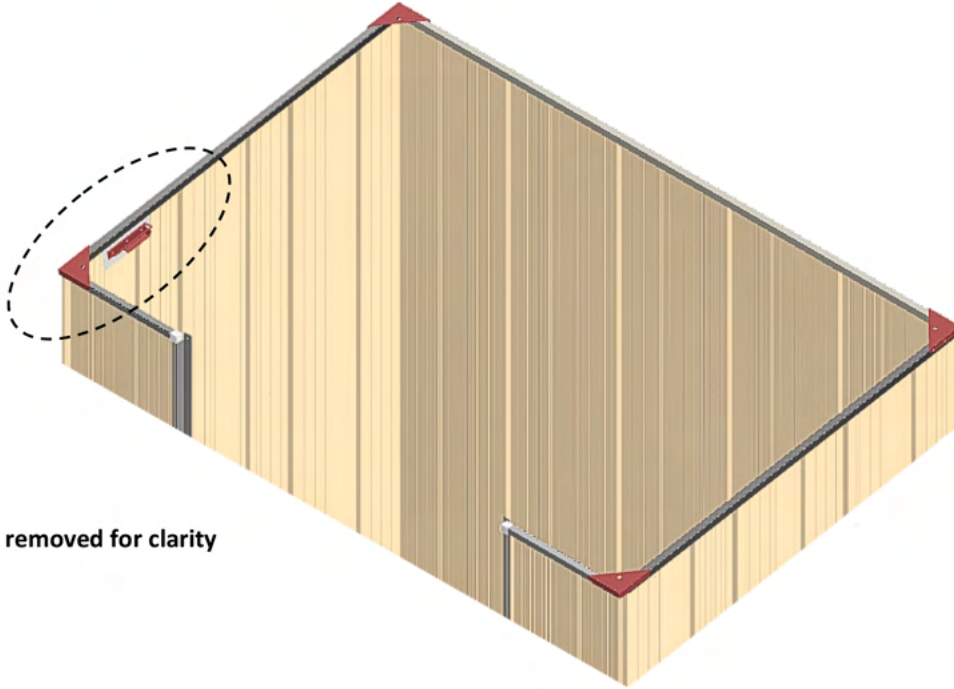
Do not Screw Here now

Fix the trim "W" with 3 screws

Now fix plastic end cap 1 9/16 in (40mm) on all 4 top corners

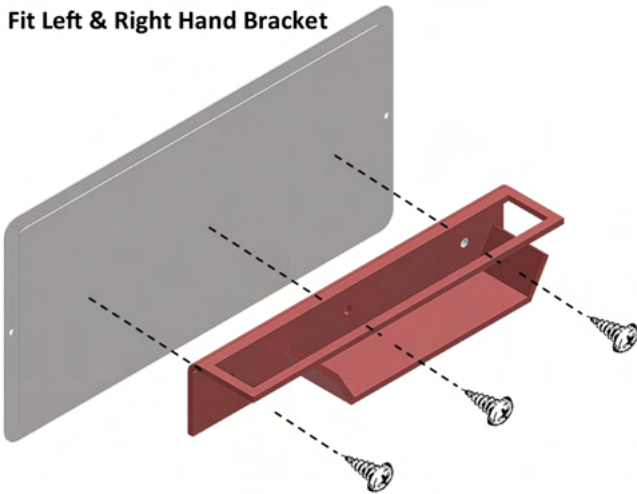
It is recommended to pre-drill a pilot hole for the corner cap fixing then screw both "V" and "W" trims through the plastic corner cap. Do the same on the other three corners.

## FIX LID STAY BRACKET

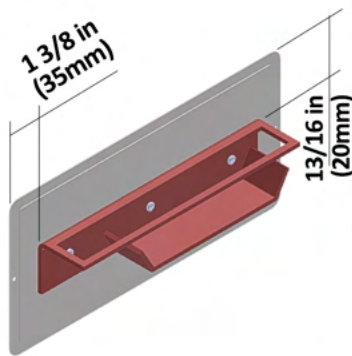


\*\* Lid panel removed for clarity

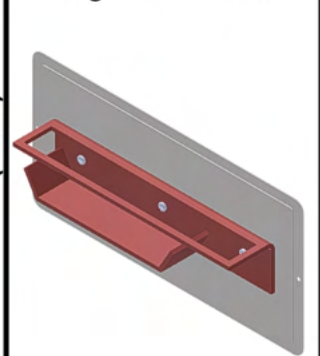
### Fit Left & Right Hand Bracket



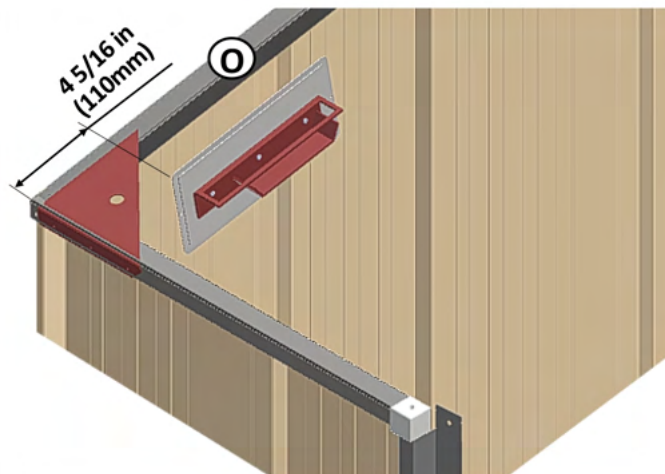
### Left Hand Bracket



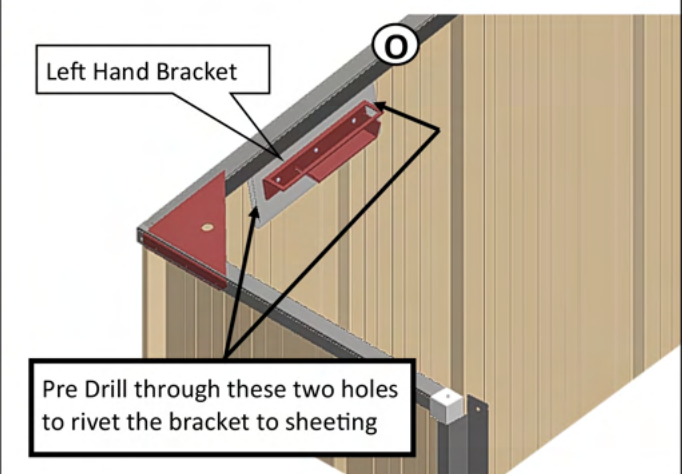
### Right hand Bracket



Slide the Bracket assembly between the channel "O" and the wall Sheet. Keep 4 5/16 in (110mm) away from edge.

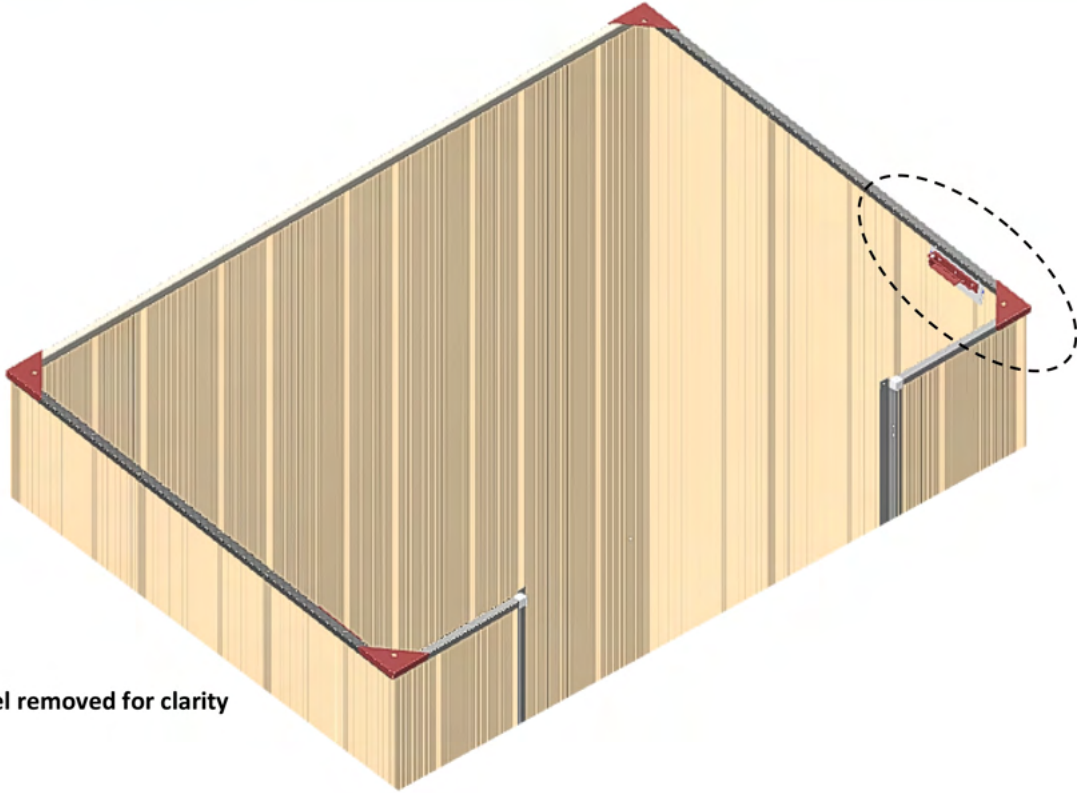


Ensure the fix respective bracket on left hand and right hand side of the shed.





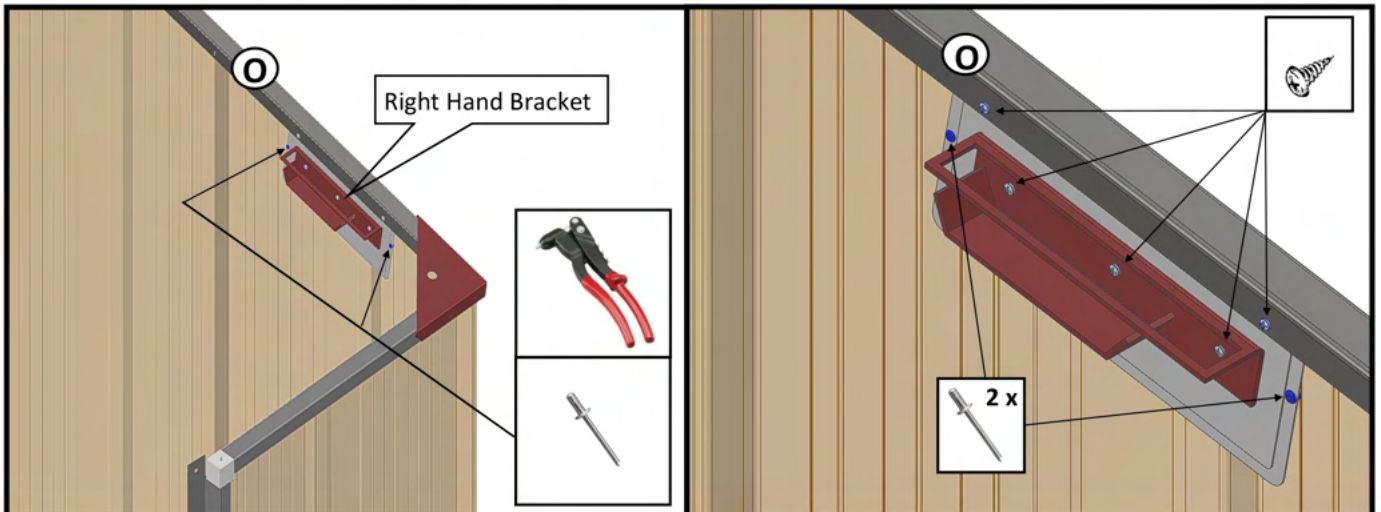
## FIX LID STAY BRACKET



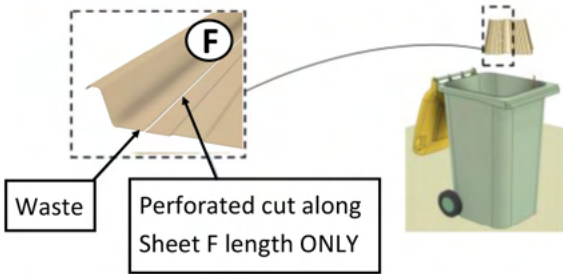
\*\* Lid panel removed for clarity

**Step 1:** Rivet the assembly to the sheet from outside the shed through the two pre drilled holes.

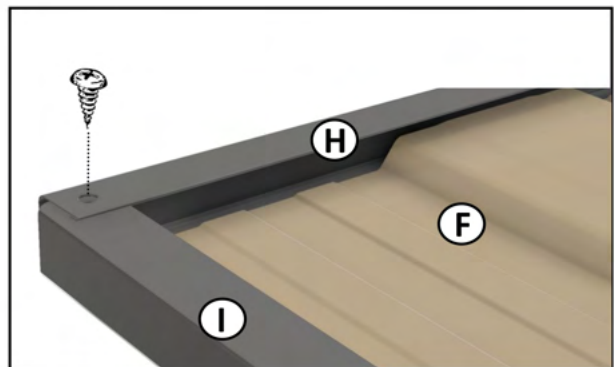
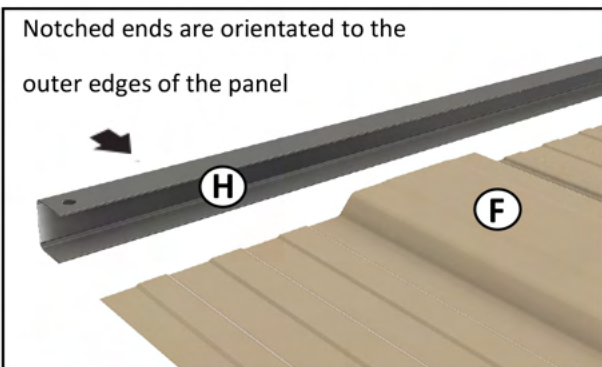
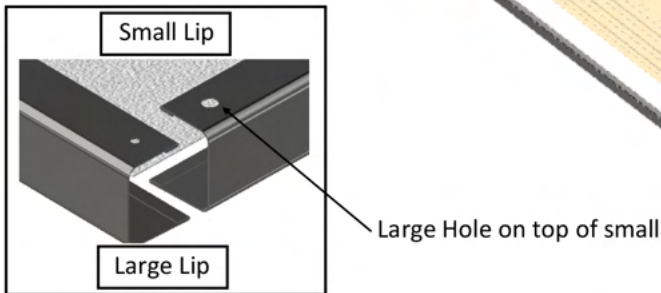
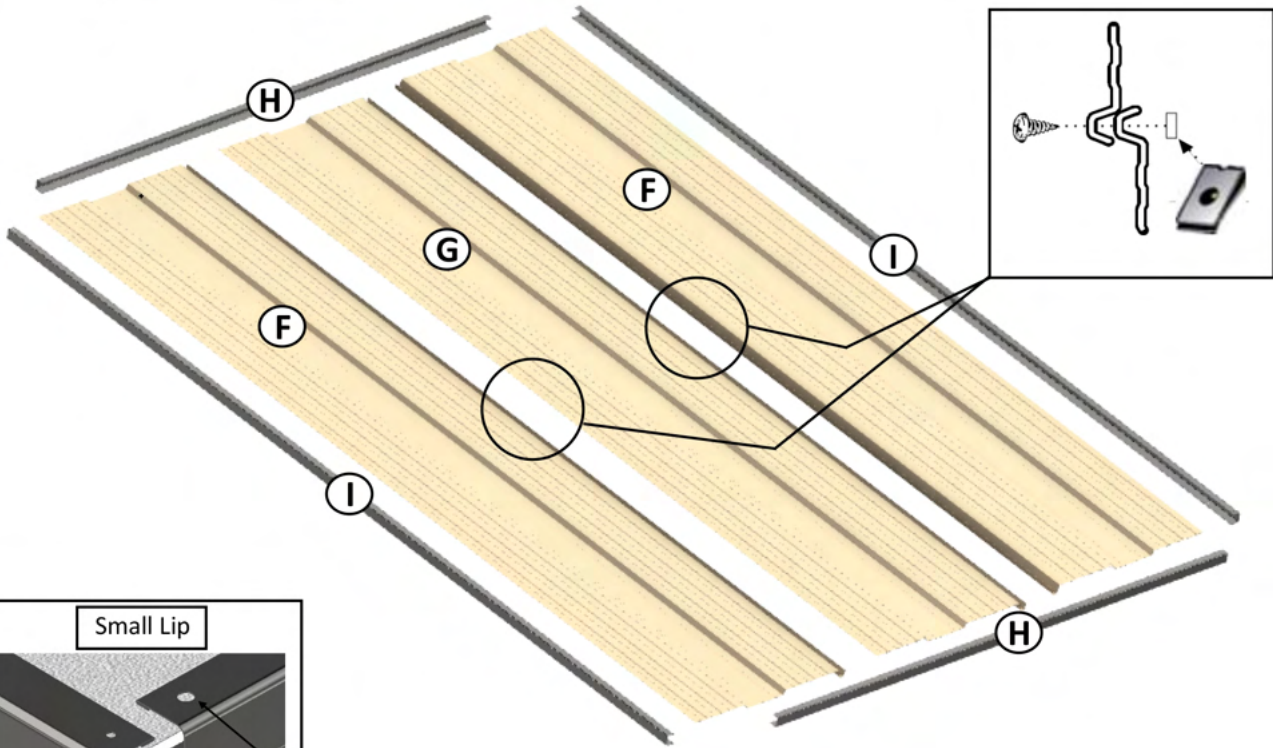
**Step 2:** Screw the assembly through the top channel "O" as shown, Make sure the screw passes through the sheeting as well. It is recommended to pre drill the holes for the screws as well.



## DOOR ASSEMBLY

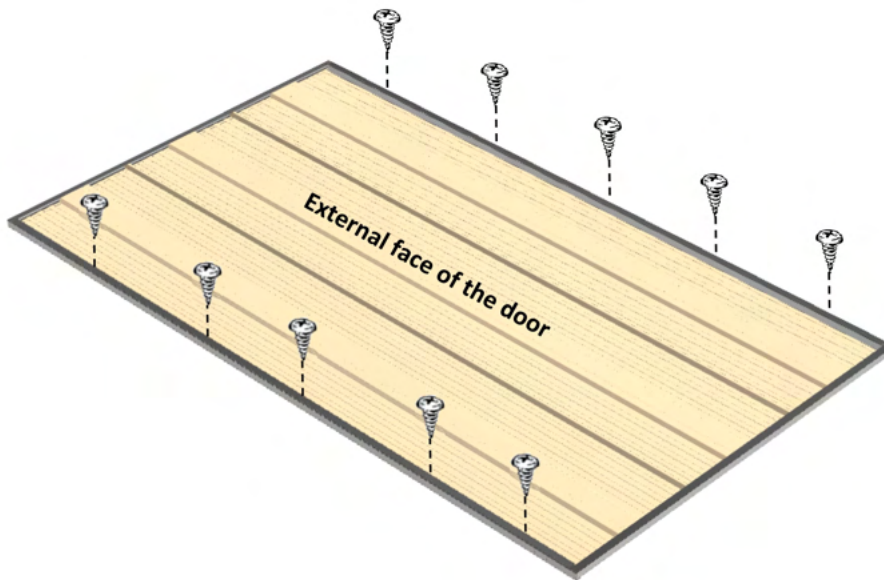
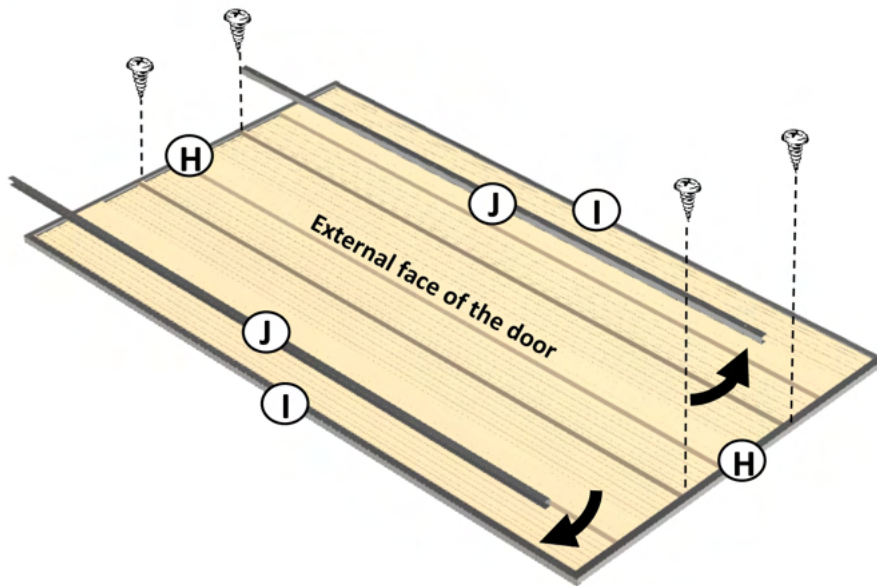


To remove the SMALL lip of the door sheet F, fold back and forth along the perforated pre-cut line. When removed put the waste section into the recycle bin. If too large carefully fold it in half.

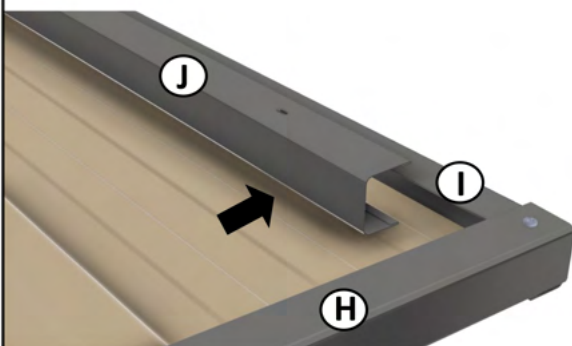


**NB:** Some channel holes may not align perfectly when the sheets are laid out. They can be easily manipulated into position and screw to the channel.

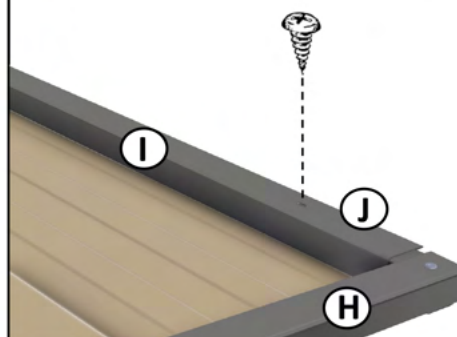
## DOOR ASSEMBLY



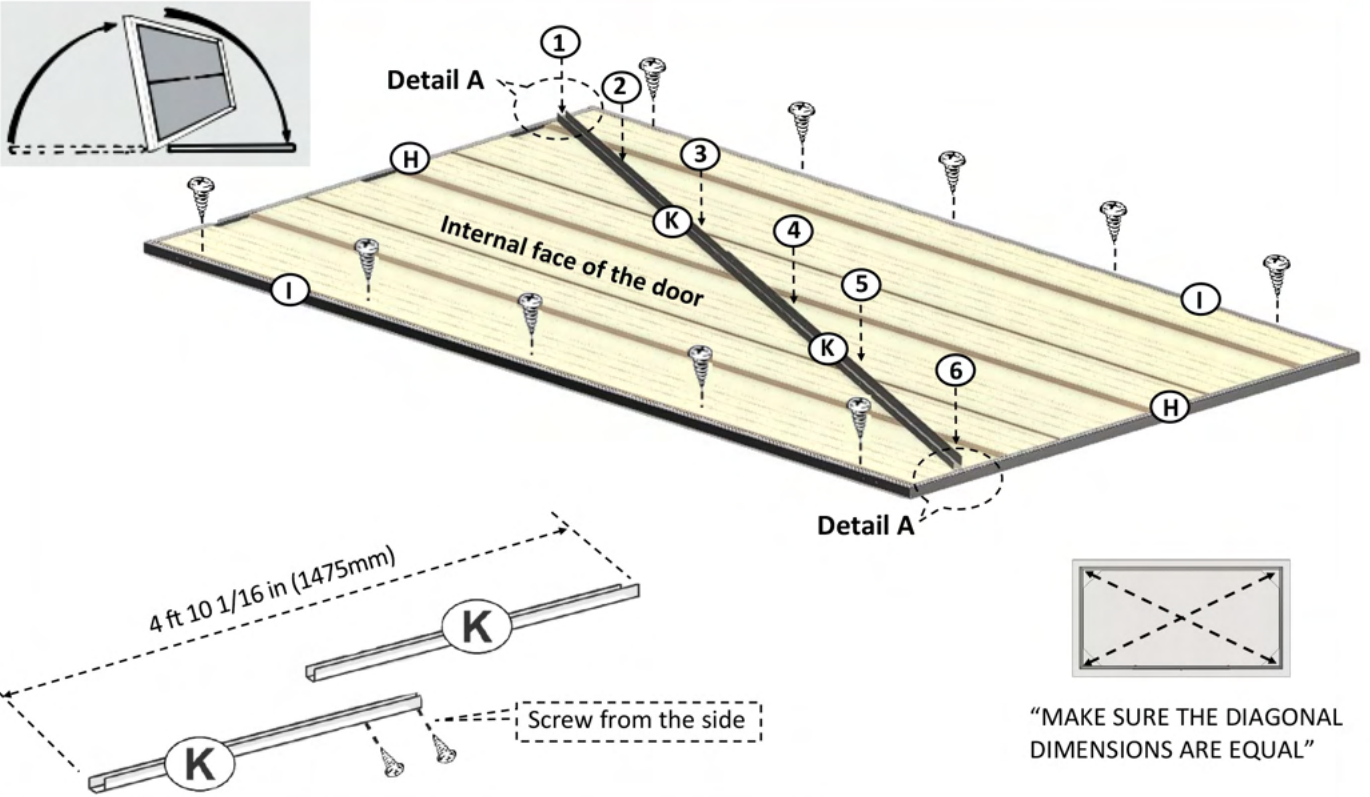
Leave an even gap at both ends of the boxing.  
Place large lip of J over the small lip of I as shown



Fix both door boxing in place using six (6) screws.



## DOOR ASSEMBLY



Join both K Channels to the length of 4 ft 10 1/16 in (1475mm) as shown.

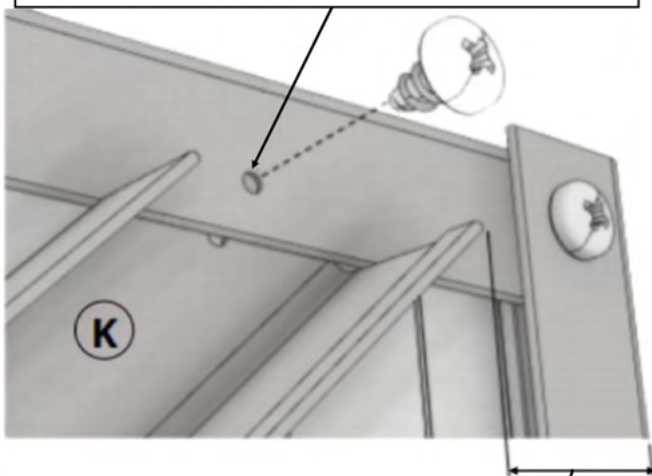
Flip the door assembly over and fix with screws evenly spaced on the channel “I”.

Pre Drill 6 Holes on the bracing channel “K”, 4 through the sheeting and 1 each at the top and bottom channels “H” as shown below.

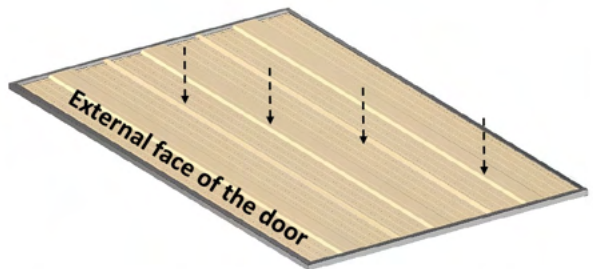
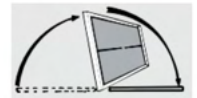
Make sure the notched end of the bracing “K” slide under the channel “H” either side

### Detail A (Similar top and bottom)

Drill pilot holes for door bracing top joint and fix with self tapping screw. N.B. Channel K brace only narrowly tucks under channels. Take care to drill through channel K with pilot hole.

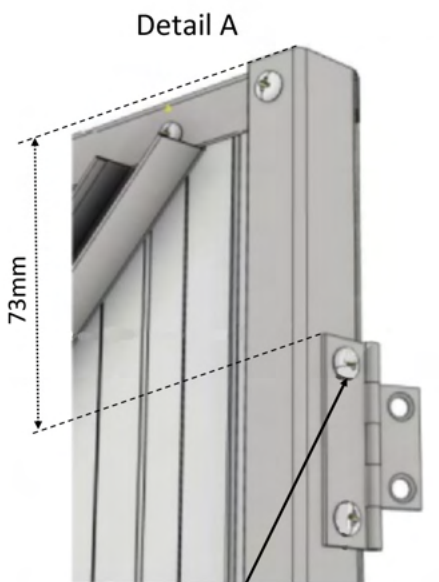
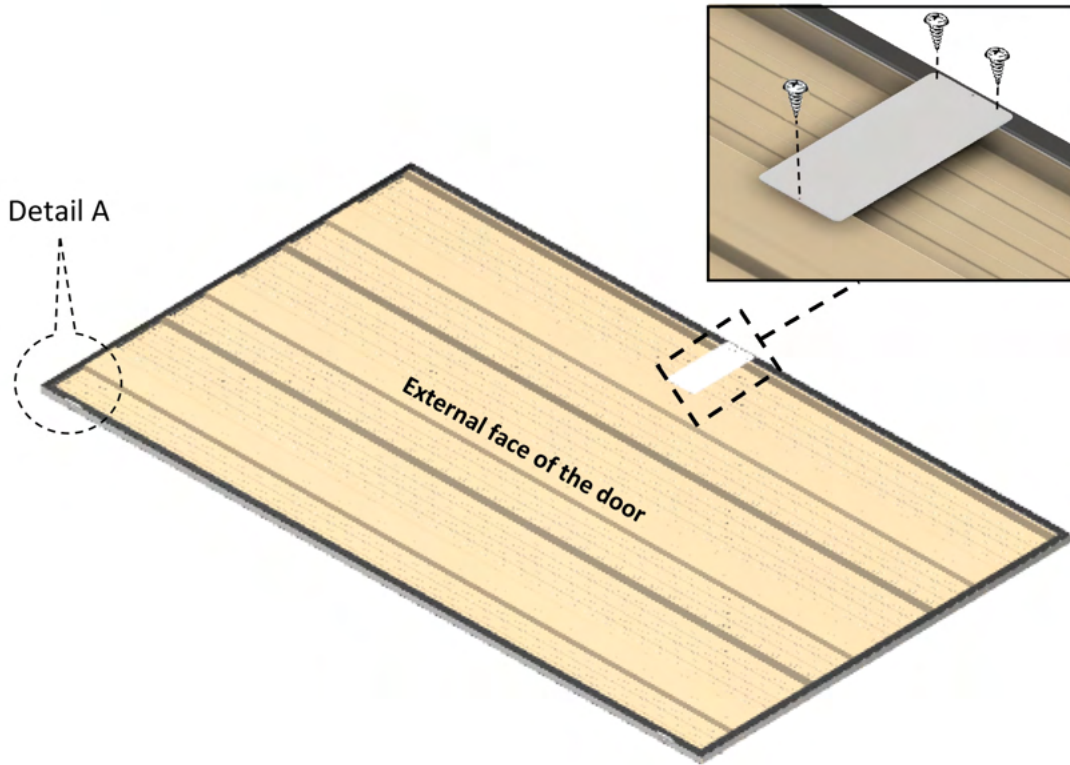


Typical at top and bottom door brace as well

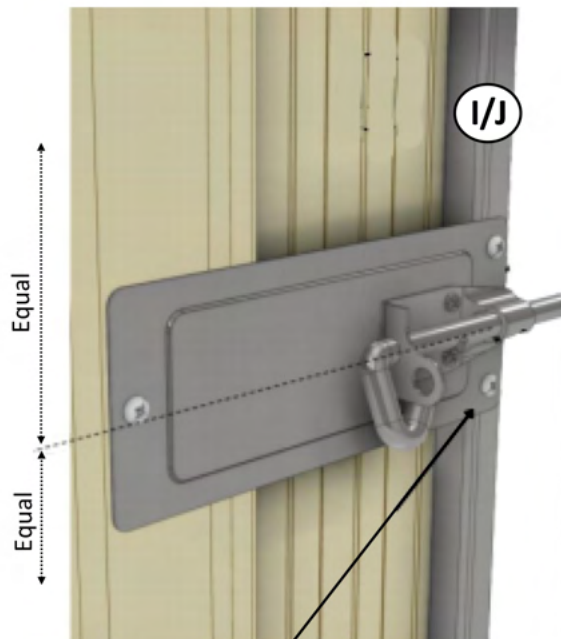


Flip the door back and screw the bracing channel “K” through the pre-drilled pilot holes in 4 positions from the external face of the door as shown.

## DOOR ASSEMBLY



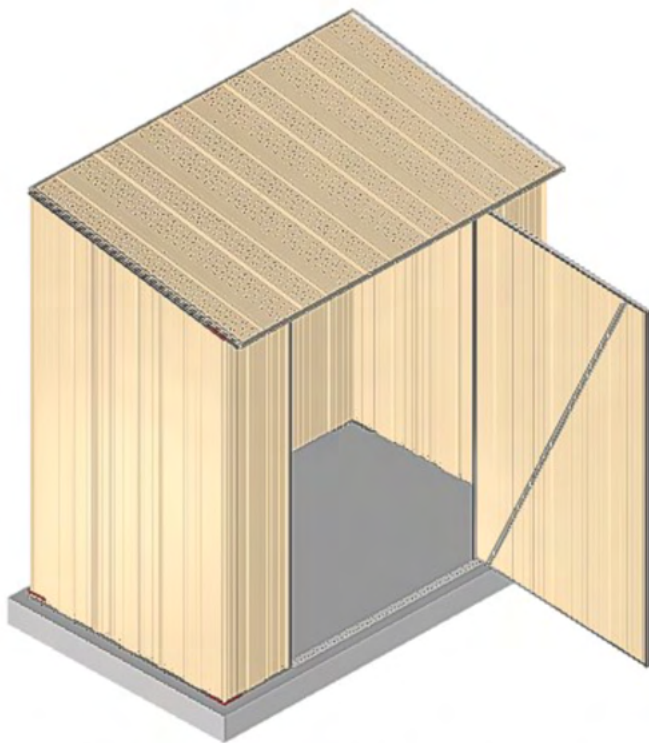
Screw fix the hinge to the side channel I through punched holes. Typical top and bottom



Position the door plate at the center point, using the door plate as a guide to drill pilot holes through channels I / J and door sheeting. Ensure the end of the plate does not protrude past the door jambs I / J.

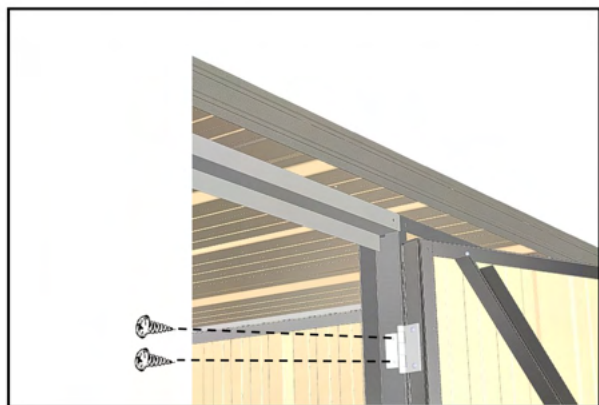
Position the pad bolt level and screw fix the pad bolt to the door plate with the screws supplied. Fix the padbolt onto door 1 only.

## DOOR FITTING

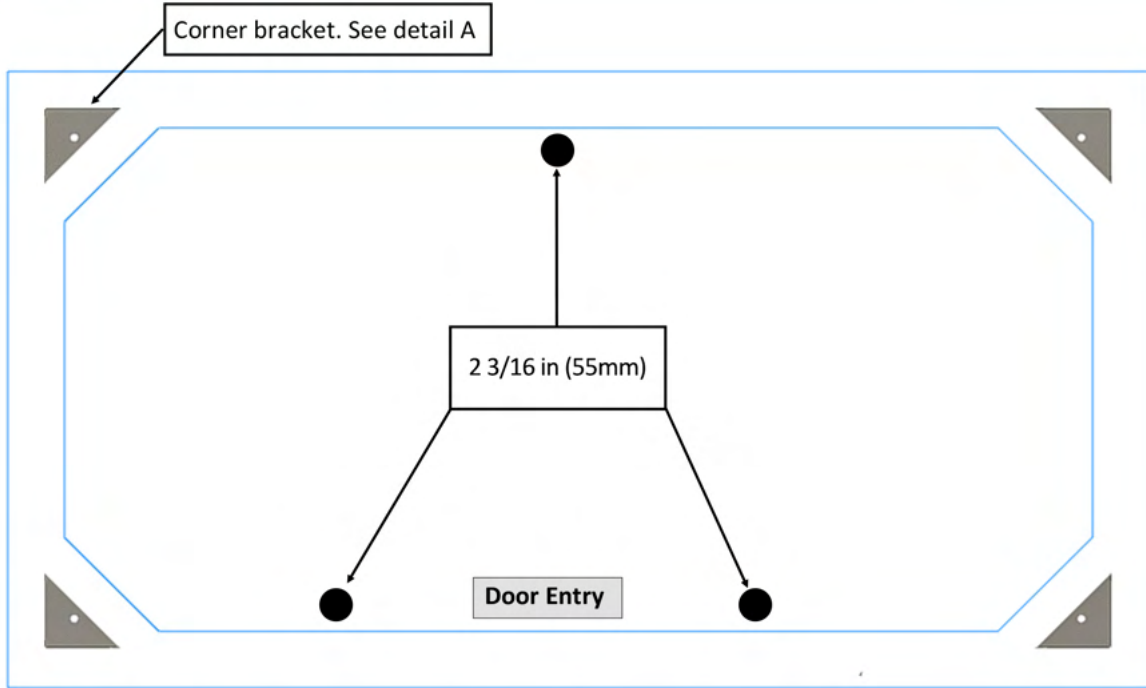


Fit the door by fixing the hinges to the pre-drilled holes in the door jambs then fit the padbolt keeper.

Door can be attached to swing left or right.



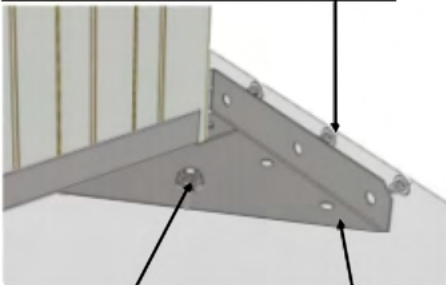
**ANCHORING SHED TO SLAB**



**BRACKET FIXING TO SLAB LAYOUT**

**DETAIL A**

Screw fixing corner bracket to wall bottom channels

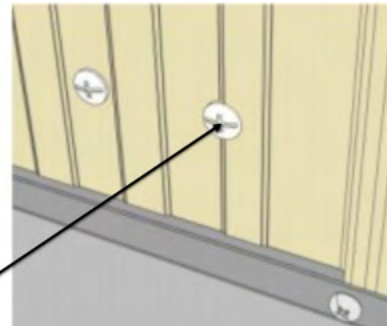


Masonry Anchor

Corner bracket

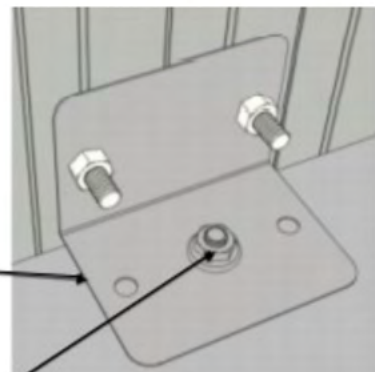
**DETAIL B**

DETAIL FROM OUTSIDE



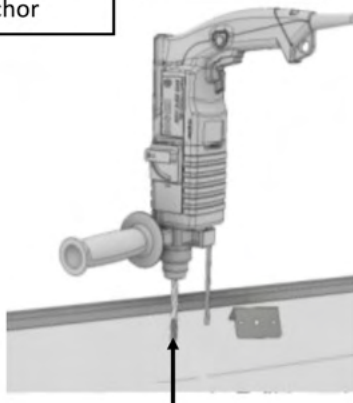
Ensure the bolt heads are to the bottom of the wall pan

DETAIL FROM INSIDE



2 3/16 in (55mm)

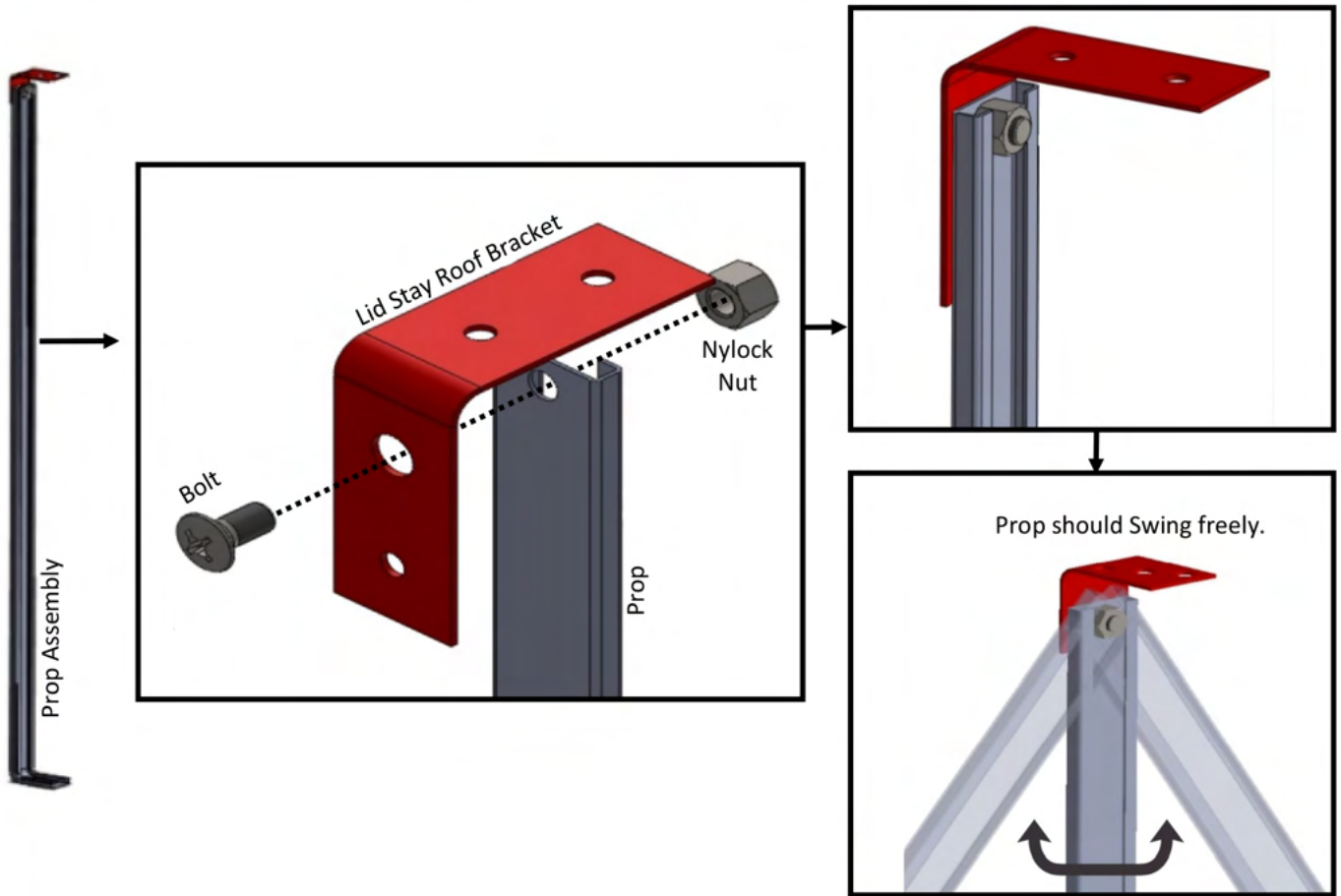
Masonry Anchor



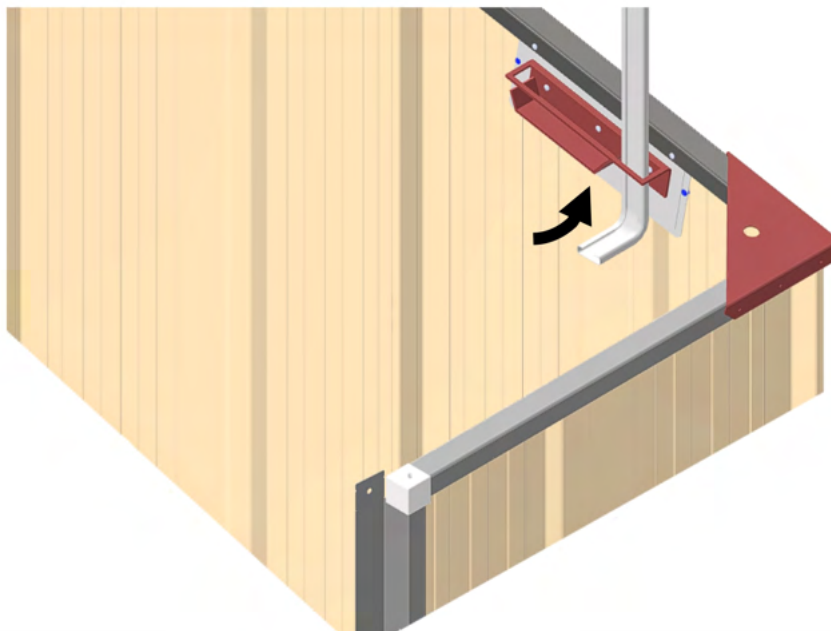
Drill to a depth of 2 in (50mm) for a M8 Masonry Anchor  
Extract all the dust after drilling Drill size = 3/8 in (10mm) Diameter

## LID STAY ASSEMBLY

Once the Prop slide in to the bracket, joint the Lid stay roof bracket and Prop as shown here using a nylock nut and screw. Make sure not to tight it fully so that the prop can move freely around the screw.



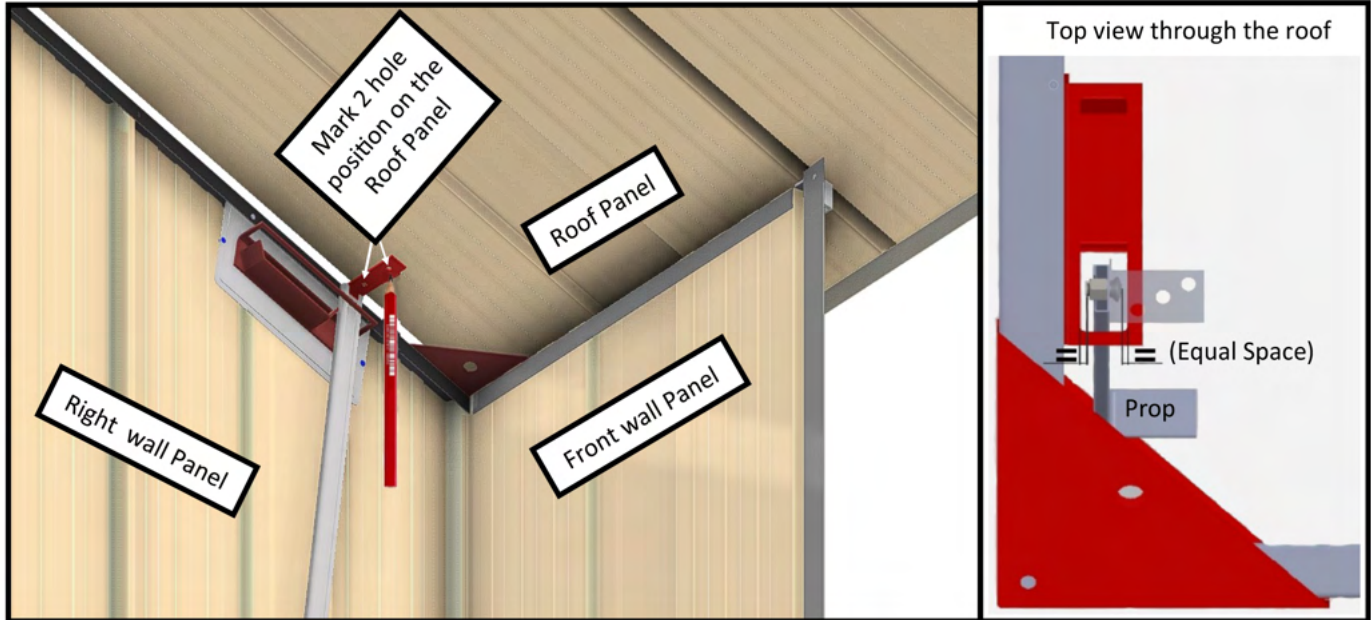
Slide the Prop As shown through the bracket slot. keep the bend edge towards inside the shed. Do it on both sides.



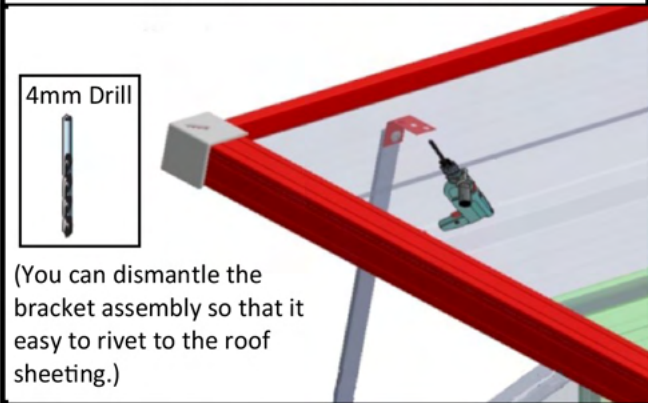


## LID STAY ASSEMBLY (bracket fixing from inside the shed)

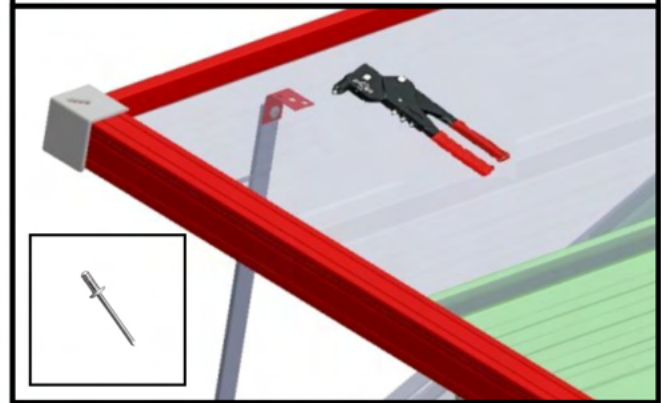
Now Stay inside the shed and close the Roof panel Lid. position the Prop and bracket as shown, so that the Lid stay roof bracket butts flat to the roof sheeting and the prop positioned in the middle of the Lid stay bracket slot (marked with "="). Now mark the Lid stay roof bracket hole position on the roof sheeting to do the drilling for Riveting.



Now lift the roof and Pre drill the hole (4mm Drill) for rivet, through the previous marking.

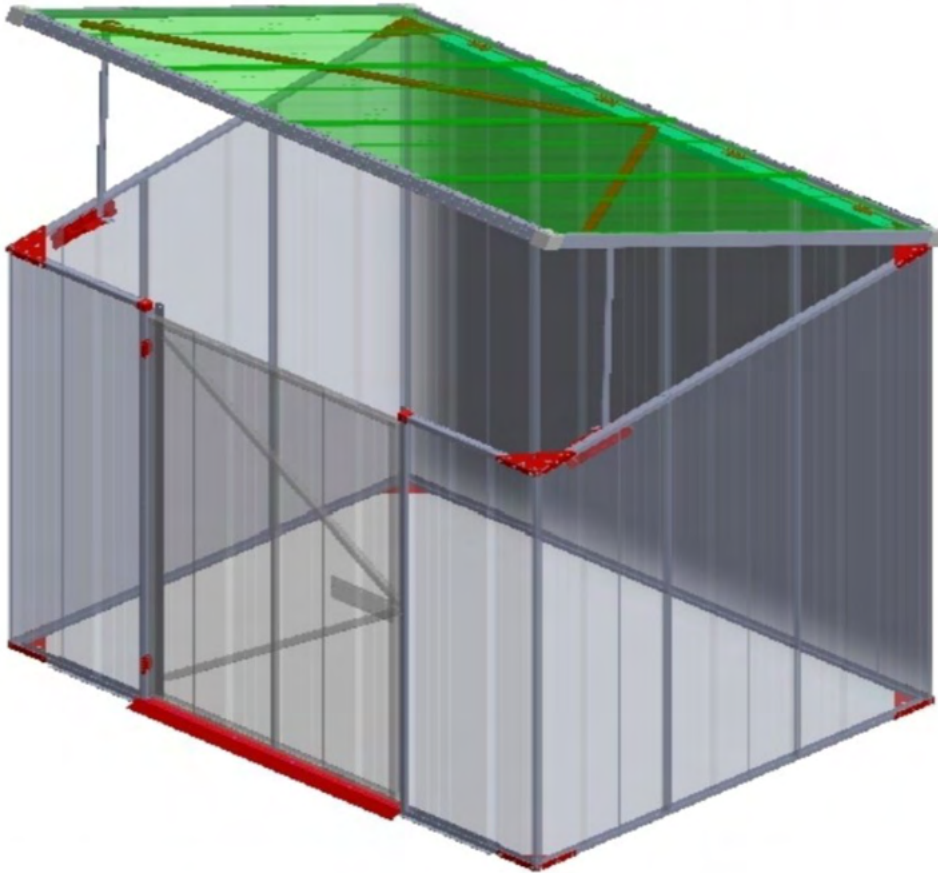


Now Rivet the Bracket through the drilled hole from the top of the roof and fix the bracket assembly to the roof.



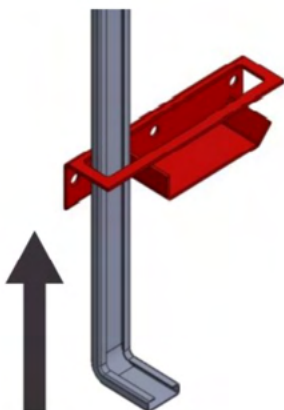
## LID STAY ASSEMBLY bracket fixing from inside the shed

Repeat the same procedure to fix the other Lid stay assembly on the other side of the shed.

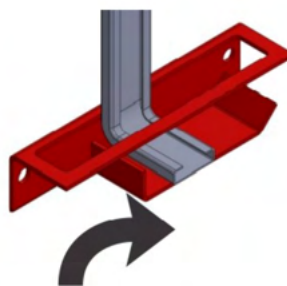


To hold the lid open as in the above picture, follow these procedure

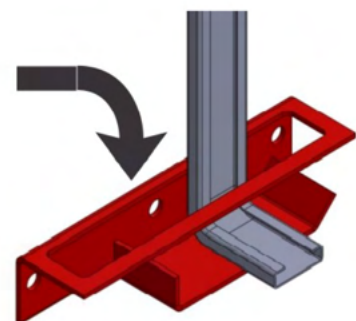
1: Lift Up



2: Move prop into position

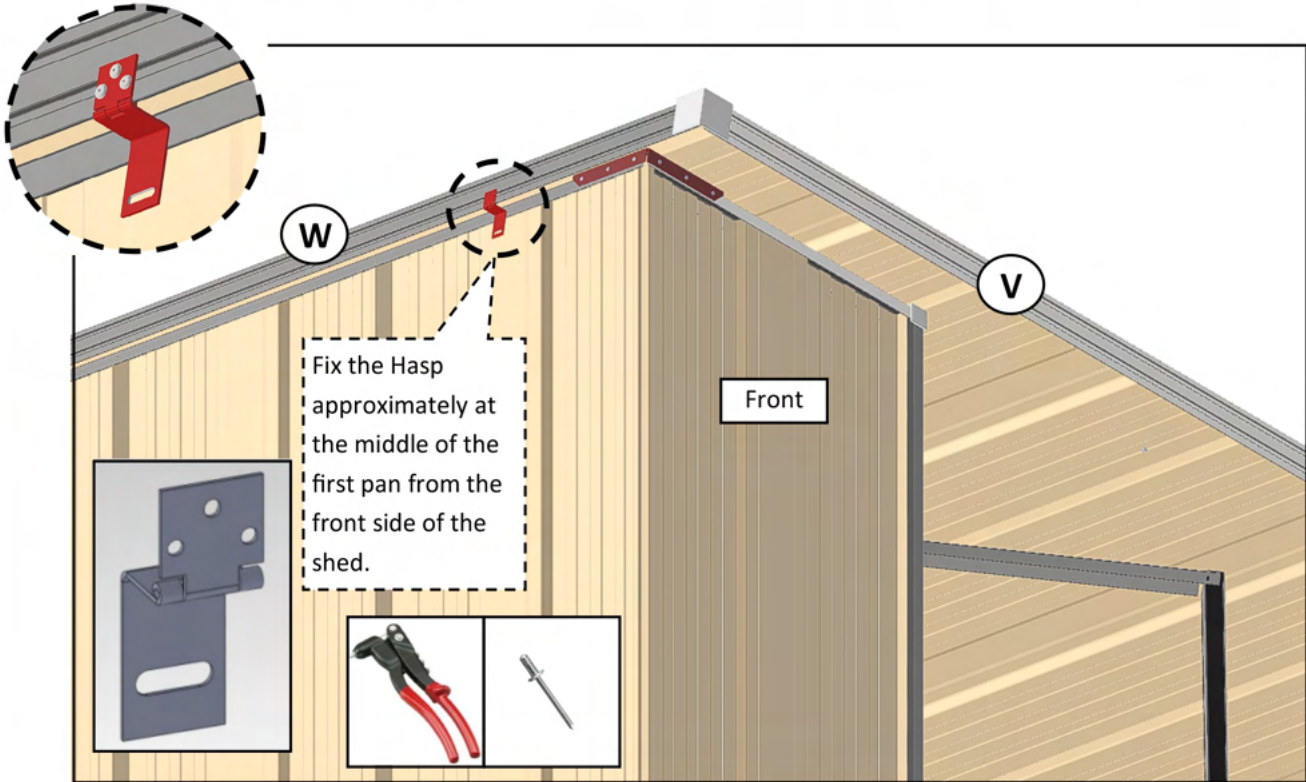


3: Secure in

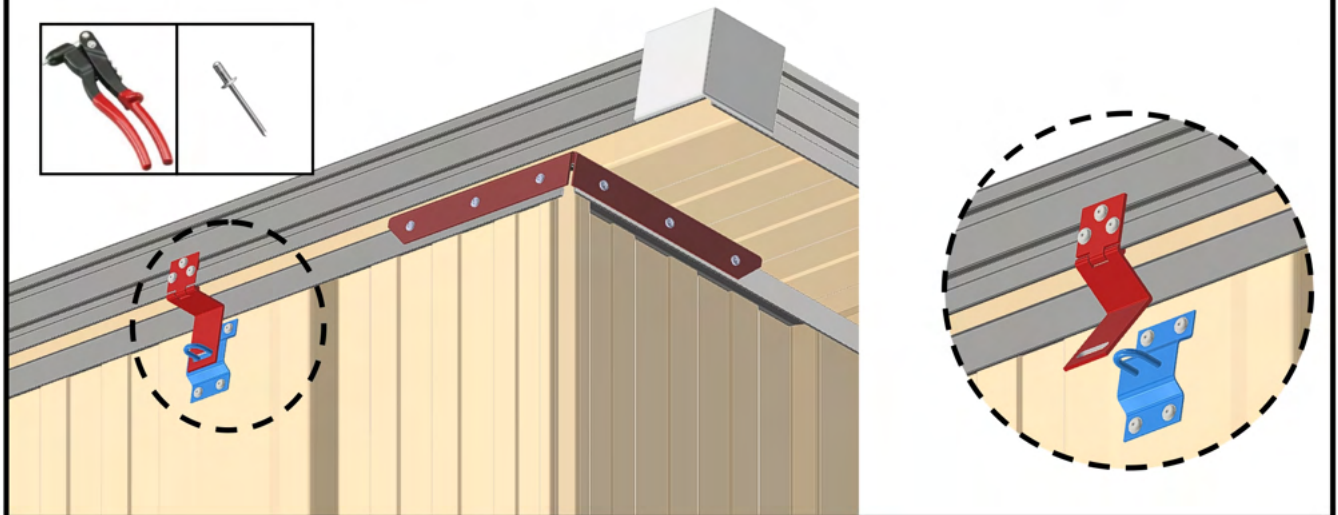


## FIXING HASP AND LATCH

Now close the lid completely to mark and fix side Hasp and Staple. Pre Drill the angle trim "W" through the holes in the hasp. Fix it the hasp to trim with 3 rivets.



Position the Staple properly under the hasp on top of the pan on side wall. And mark the hole to pre drill and rivet it through 4 holes.





## Thank you for purchasing a True Buildings Garden Shed

True Buildings Garden Sheds are made using high quality Australian made steel.

### What is covered under the warranty?

True Buildings steel garden shed 15 year warranty is limited to the following specific cover.

1. Zinc and/or galvanised panel materials will not rust
2. Coloured panel materials will not rust, flake, peel or blister.

*Please note the 15 year warranty does not apply to any accessory items such as fasteners, Hasp, Pad bolts, also including flooring kits, shelving, hook sets, tool racks etc.*

The 15 year warranty is eligible only to the original purchaser/owner of the shed as registered within 60 days from the date of purchase and is not transferable. The warranty is subject to location and local environmental conditions outlined in the warranty exclusions below.

### Warranty Qualifications & Limitations

The True Buildings 15 year warranty is subject to the following qualifications and limitations

1. Warranty does not apply to surface deterioration of the panels caused specifically by
  - a. "Swarf"(tiny particles of steel debris left from cutting, grinding or drilling operations) that have not been dutifully removed during the assembly construction process.
  - b. As a result of contact with damp soil, chemicals, fertilisers, or other corrosive substances
2. Warranty does not cover damage caused by storms, wind, rain, hail, snow or any other adverse environmental event or "act of god"
3. Warranty only applies if the shed is used solely for domestic purposes and installation is in accordance and compliance with the True Buildings instruction manual and manufacturer recommendations.
4. Warranty does not apply if the shed is installed / located in
  - a. Ocean/surf locations (typically defined as within 1 mile from coastal or tidal locations),
  - b. Severe industrial locations
  - c. Unusually corrosive environments (e.g. Geothermal / Sulphuric conditions)
5. Warranty does not cover any damage as a result of
  - a. Any impact
  - b. Poor foundations
  - c. Modifications
  - d. Build-up of debris on or in roof or walls
  - e. Poor assembly and/or construction
6. The warranty will be void if the shed has been relocated from its original location / address
7. The warranty is limited to the replacement and delivery of panels and specifically excludes any labour, installation or removal/disposal costs.
8. Warranty applies to the exclusions of all other representations, guarantees or warranties, either expressed or implied unless otherwise required by applicable law.
9. Your warranty registration certificate and supporting documentation must be completed and lodged within 60 days of the date of purchase.

### Warranty Claims

All warranty claims should be made in writing sent directly to:

**True Buildings Delivery Address :**  
 15435 Arrow Route,  
 Fontana, CA 92335,  
 United States  
**Contact no. +1 909 331 4668**

Claims must include:

- a. Original proof of purchase documentation
- b. Relevant contact information
- c. Product model
- d. Photographic evidence
- e. Description of the damage



## Warranty Registration Certificate

### Owners Details

Owners Name:

Street Address:

City & State:

Post Code:

Email:

### Building Details

Product Model Number:

Colour:

Place of Purchase:

Purchase date:

Please attach here a photocopy of proof of purchase  
Retain the original for your records

*You must submit your warranty registration certificate within 60 days of the purchase date of your TRUE BUILDINGS garden shed.*

Post your certificate and supporting documentation to:

**True Buildings Delivery Address:**

15435 Arrow Route,  
Fontana, CA 92335,  
United States

**Contact no. +1 909 331 4668**



**NOTE**

**NOTE**

# TrueBuildings

STRONG, QUICK & EASY

## Enquiries

Phone: +1 909 331 4668

Email: [info@truebuildings.com](mailto:info@truebuildings.com)

