

ASSEMBLY INSTRUCTIONS

S52

REVISION 08/22



How to build Video



W: 5 ft 9.3 in x D: 2 ft 4.4 in x H: 6 ft 5.6 in

NOTES

BEFORE COMMENCING SHED ASSEMBLY, CHECK ALL PARTS.

DO NOT ASSEMBLE IN WINDY CONDITIONS



READ INSTRUCTIONS FIRST



2 PERSON ASSEMBLY



THE MANUFACTURERS CANNOT BE HELD RESPONSIBLE FOR ANY CONSEQUENCES DUE TO SHEDS THAT ARE NOT INSTALLED PER INSTRUCTIONS OR FOR DAMAGE DUE TO WEATHER CONDITIONS, ACTS OF GOD OR FOR SHEDS THAT ARE LEFT PARTIALLY ASSEMBLED OVERNIGHT. PARTS MAY CONTAIN SHARP EDGES & CORNERS. CARE MUST BE TAKEN WHEN HANDLING VARIOUS PIECES TO AVOID A MISHAP, FOR SAFETY SAKE, PLEASE USE A PAIR OF WORK GLOVES, EYE PROTECTION & PROTECTIVE CLOTHING WHEN ASSEMBLING OR PERFORMING ANY MAINTENANCE ON THE BUILDING.

Subject to changes © TRUE BUILDINGS LLC



15435 Arrow Route, Fontana,
CA 92335, United States

+1 909 331 4668

info@truebuildings.com



truebuildings.com

TOOLS REQUIRED



Electric Drill



Cordless Drill



Measuring Tape



Screwdrivers



8mm Masonry Drill Bit



Shifting Spanner



Builders Pencil



Tin Snips
(some models only)



Rubber Mallet



Sturdy Ladder
(two if possible)



Gloves

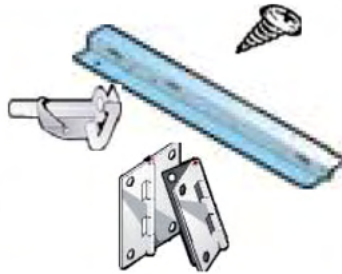


Protective Eyewear

HANDY HINTS FOR CONSTRUCTION



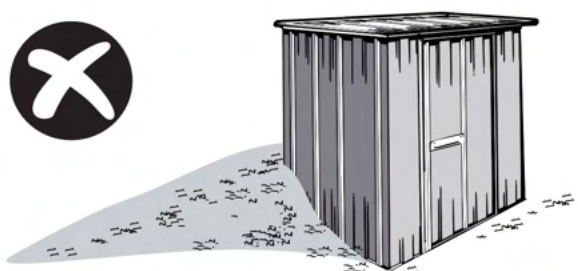
Read instructions and check parts carefully before assembling the shed.



Please wear safety gloves and glasses at all times to protect against sharp metal edges.



Do not assemble in windy conditions as panels may be difficult to handle and damage may result.

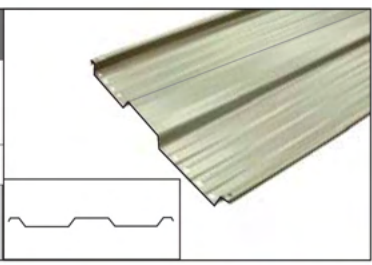
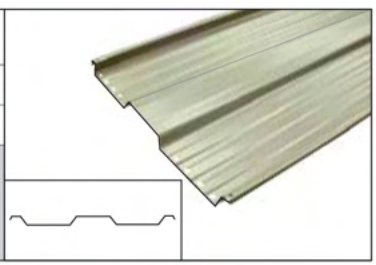
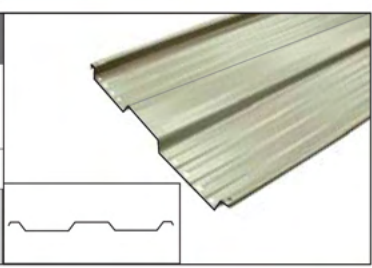
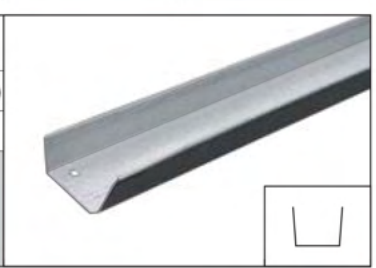
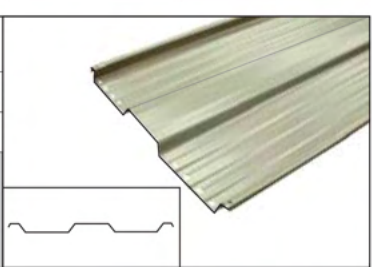
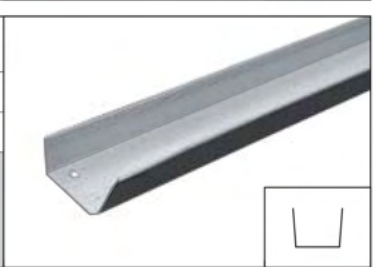
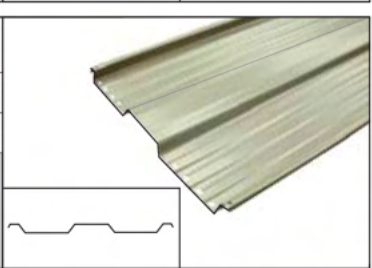
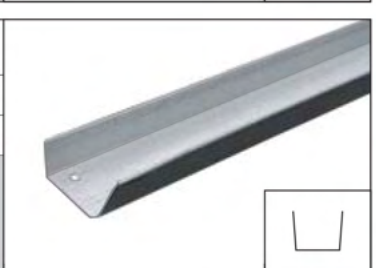
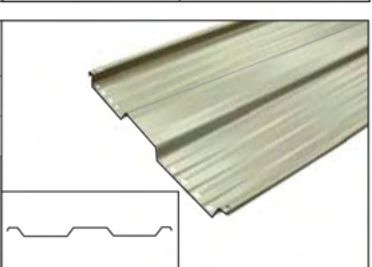
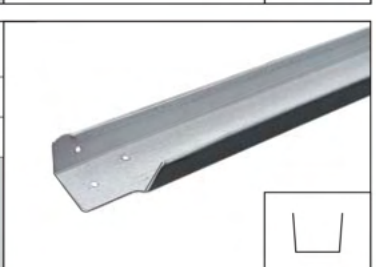
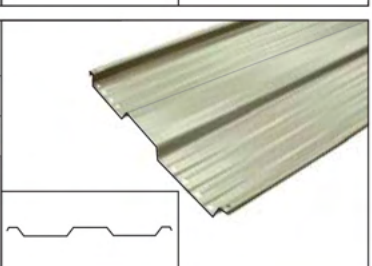
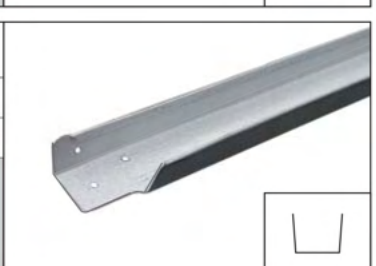
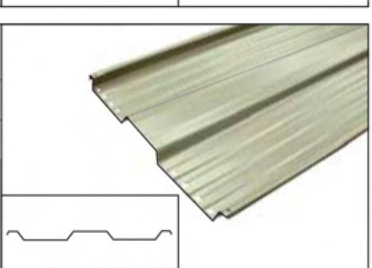
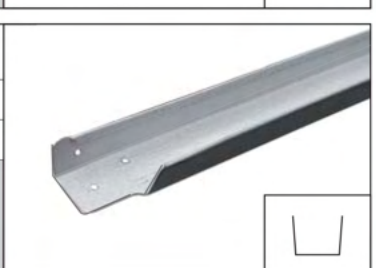


Do not back fill against the shed as this will result in corrosion. Allow drainage from the site.

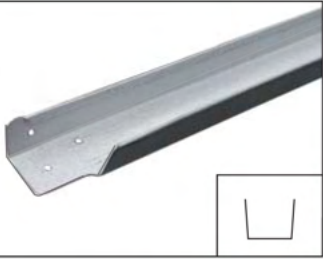

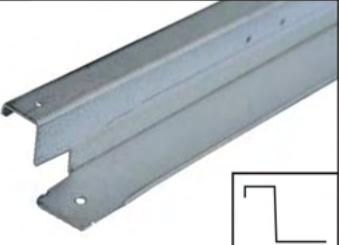





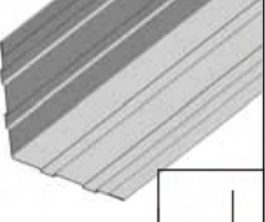

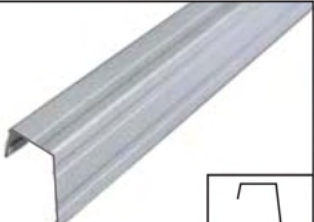


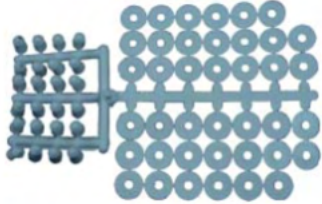


MOST PILOT HOLES ARE PRE-PUNCHED AND IN THIS CASE DRILLING HOLES IS NOT NECESSARY, HOWEVER SOME PILOT HOLES NEED TO BE DRILLED WITH THE INCLUDED 2.5MM DRILL BIT WHERE INDICATED

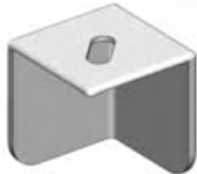
PARTS LIST

<table border="1"> <tr> <th colspan="2">PRODUCT NUMBERS</th> </tr> <tr> <td>A1</td> <td>A2</td> </tr> <tr> <td>Quantity (total)</td> <td>2</td> </tr> <tr> <td colspan="2">Description: Right Skillion Wall Panel</td> </tr> </table> 	PRODUCT NUMBERS		A1	A2	Quantity (total)	2	Description: Right Skillion Wall Panel		<table border="1"> <tr> <th>PRODUCT ID</th> <td>G</td> </tr> <tr> <td>Length</td> <td>5ft 8 2/5 in (1738mm)</td> </tr> <tr> <td>Quantity</td> <td>1</td> </tr> <tr> <td colspan="2">Description: Door Panel Centre</td> </tr> </table> 	PRODUCT ID	G	Length	5ft 8 2/5 in (1738mm)	Quantity	1	Description: Door Panel Centre	
PRODUCT NUMBERS																	
A1	A2																
Quantity (total)	2																
Description: Right Skillion Wall Panel																	
PRODUCT ID	G																
Length	5ft 8 2/5 in (1738mm)																
Quantity	1																
Description: Door Panel Centre																	
<table border="1"> <tr> <th colspan="2">PRODUCT NUMBERS</th> </tr> <tr> <td>B1</td> <td>B2</td> </tr> <tr> <td>Quantity (total)</td> <td>2</td> </tr> <tr> <td colspan="2">Description: Left Skillion Wall Panel</td> </tr> </table> 	PRODUCT NUMBERS		B1	B2	Quantity (total)	2	Description: Left Skillion Wall Panel		<table border="1"> <tr> <th>PRODUCT ID</th> <td>H</td> </tr> <tr> <td>Length</td> <td>3ft 3 7/10 in (1008mm)</td> </tr> <tr> <td>Quantity</td> <td>2</td> </tr> <tr> <td colspan="2">Description: Door Frame Top/Bottom</td> </tr> </table> 	PRODUCT ID	H	Length	3ft 3 7/10 in (1008mm)	Quantity	2	Description: Door Frame Top/Bottom	
PRODUCT NUMBERS																	
B1	B2																
Quantity (total)	2																
Description: Left Skillion Wall Panel																	
PRODUCT ID	H																
Length	3ft 3 7/10 in (1008mm)																
Quantity	2																
Description: Door Frame Top/Bottom																	
<table border="1"> <tr> <th>PRODUCT ID</th> <td>C</td> </tr> <tr> <td>Length</td> <td>6ft 3 8/10 in (1926mm)</td> </tr> <tr> <td>Quantity</td> <td>4</td> </tr> <tr> <td colspan="2">Description: Rear Wall Panel</td> </tr> </table> 	PRODUCT ID	C	Length	6ft 3 8/10 in (1926mm)	Quantity	4	Description: Rear Wall Panel		<table border="1"> <tr> <th>PRODUCT ID</th> <td>I</td> </tr> <tr> <td>Length</td> <td>5ft 8 3/5 in (1742mm)</td> </tr> <tr> <td>Quantity</td> <td>2</td> </tr> <tr> <td colspan="2">Description: Door Frame Side</td> </tr> </table> 	PRODUCT ID	I	Length	5ft 8 3/5 in (1742mm)	Quantity	2	Description: Door Frame Side	
PRODUCT ID	C																
Length	6ft 3 8/10 in (1926mm)																
Quantity	4																
Description: Rear Wall Panel																	
PRODUCT ID	I																
Length	5ft 8 3/5 in (1742mm)																
Quantity	2																
Description: Door Frame Side																	
<table border="1"> <tr> <th>PRODUCT ID</th> <td>D</td> </tr> <tr> <td>Length</td> <td>5ft 10 9/10 in (1800mm)</td> </tr> <tr> <td>Quantity</td> <td>2</td> </tr> <tr> <td colspan="2">Description: Front Wall Corner Panel</td> </tr> </table> 	PRODUCT ID	D	Length	5ft 10 9/10 in (1800mm)	Quantity	2	Description: Front Wall Corner Panel		<table border="1"> <tr> <th>PRODUCT ID</th> <td>J</td> </tr> <tr> <td>Length</td> <td>5ft 7 1/5 in (1706mm)</td> </tr> <tr> <td>Quantity</td> <td>2</td> </tr> <tr> <td colspan="2">Description: Door Boxing</td> </tr> </table> 	PRODUCT ID	J	Length	5ft 7 1/5 in (1706mm)	Quantity	2	Description: Door Boxing	
PRODUCT ID	D																
Length	5ft 10 9/10 in (1800mm)																
Quantity	2																
Description: Front Wall Corner Panel																	
PRODUCT ID	J																
Length	5ft 7 1/5 in (1706mm)																
Quantity	2																
Description: Door Boxing																	
<table border="1"> <tr> <th>PRODUCT ID</th> <td>D</td> </tr> <tr> <td>Length</td> <td>6ft 3 8/10 in (1926mm)</td> </tr> <tr> <td>Quantity</td> <td>1</td> </tr> <tr> <td colspan="2">Description: Rear Wall Corner Panel</td> </tr> </table> 	PRODUCT ID	D	Length	6ft 3 8/10 in (1926mm)	Quantity	1	Description: Rear Wall Corner Panel		<table border="1"> <tr> <th>PRODUCT ID</th> <td>K</td> </tr> <tr> <td>Length</td> <td>1280mm</td> </tr> <tr> <td>Quantity</td> <td>2</td> </tr> <tr> <td colspan="2">Description: Door Bracing</td> </tr> </table> 	PRODUCT ID	K	Length	1280mm	Quantity	2	Description: Door Bracing	
PRODUCT ID	D																
Length	6ft 3 8/10 in (1926mm)																
Quantity	1																
Description: Rear Wall Corner Panel																	
PRODUCT ID	K																
Length	1280mm																
Quantity	2																
Description: Door Bracing																	
<table border="1"> <tr> <th>PRODUCT ID</th> <td>E</td> </tr> <tr> <td>Length</td> <td>2ft 8 1/5 in (817mm)</td> </tr> <tr> <td>Quantity</td> <td>5</td> </tr> <tr> <td colspan="2">Description: Roof Panel</td> </tr> </table> 	PRODUCT ID	E	Length	2ft 8 1/5 in (817mm)	Quantity	5	Description: Roof Panel		<table border="1"> <tr> <th>PRODUCT ID</th> <td>M</td> </tr> <tr> <td>Length</td> <td>5ft 9 in (1753mm)</td> </tr> <tr> <td>Quantity</td> <td>4</td> </tr> <tr> <td colspan="2">Description: Top/Bottom Front/Rear Channel</td> </tr> </table> 	PRODUCT ID	M	Length	5ft 9 in (1753mm)	Quantity	4	Description: Top/Bottom Front/Rear Channel	
PRODUCT ID	E																
Length	2ft 8 1/5 in (817mm)																
Quantity	5																
Description: Roof Panel																	
PRODUCT ID	M																
Length	5ft 9 in (1753mm)																
Quantity	4																
Description: Top/Bottom Front/Rear Channel																	
<table border="1"> <tr> <th>PRODUCT ID</th> <td>F</td> </tr> <tr> <td>Length</td> <td>5ft 8 2/5 in (1738mm)</td> </tr> <tr> <td>Quantity</td> <td>2</td> </tr> <tr> <td colspan="2">Description: Door Panel Side (partially slit)</td> </tr> </table> 	PRODUCT ID	F	Length	5ft 8 2/5 in (1738mm)	Quantity	2	Description: Door Panel Side (partially slit)		<table border="1"> <tr> <th>PRODUCT ID</th> <td>N</td> </tr> <tr> <td>Length</td> <td>2ft 4 3/20 in (715mm)</td> </tr> <tr> <td>Quantity</td> <td>2</td> </tr> <tr> <td colspan="2">Description: Side Channel Bottom</td> </tr> </table> 	PRODUCT ID	N	Length	2ft 4 3/20 in (715mm)	Quantity	2	Description: Side Channel Bottom	
PRODUCT ID	F																
Length	5ft 8 2/5 in (1738mm)																
Quantity	2																
Description: Door Panel Side (partially slit)																	
PRODUCT ID	N																
Length	2ft 4 3/20 in (715mm)																
Quantity	2																
Description: Side Channel Bottom																	

PARTS LIST


<p>PRODUCT ID O</p> <p>Length 2ft 4 3/5 in (726mm)</p> <p>Quantity 2</p> <p>Description: Side Channel Top</p>		<p>Quantity 1</p> <p>Description: 2.5mm Drill Bit</p>	
<p>PRODUCT ID Q</p> <p>Length 5ft 10 9/10 in (1800mm)</p> <p>Quantity 2</p> <p>Description: Door Jamb</p>		<p>Quantity 2</p> <p>Description: Clip Nut</p>	
<p>PRODUCT ID R</p> <p>Length 3ft 4 1/5 in (1021mm)</p> <p>Quantity 1</p> <p>Description: Bottom Door Spacer</p>		<p>Quantity 2</p> <p>Description: Hinges (offset)</p>	
<p>PRODUCT ID S</p> <p>Length 3ft 4 1/5 in (1021mm)</p> <p>Quantity 1</p> <p>Description: Top Door Spacer</p>		<p>Quantity 1</p> <p>Description: Door Plate</p>	
<p>PRODUCT ID V</p> <p>Length 5ft 9 in (1750mm)</p> <p>Quantity 2</p> <p>Description: Gutter Trim</p>		<p>Quantity 1</p> <p>Description: Padbolt</p>	
<p>PRODUCT ID W</p> <p>Length 2ft 7 17/20 in (809mm)</p> <p>Quantity 2</p> <p>Description: Roof Angle Trim</p>		<p>Quantity 1</p> <p>Description: Keeper</p>	
<p>Quantity 200</p> <p>Description: Self Tapping Screws - Silver</p>		<p>Quantity 1</p> <p>Description: Plastic Washer and Screw Cap Sheet</p>	


PARTS LIST


Quantity	4	
Description: Plastic Corner Cap		

Quantity	4	
Description: 3/16" Nut & Bolt		

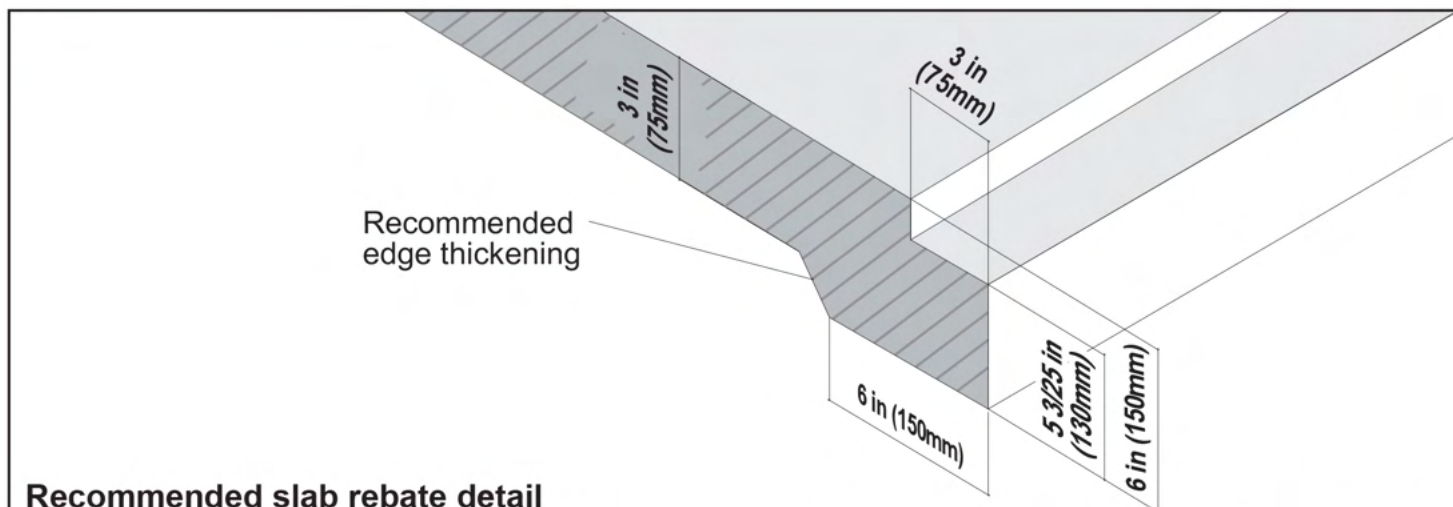
Quantity	4	
Description: Corner Bracket		

Quantity	6	
Description: M8 x 40mm Masonry Anchor		

Quantity	2	
Description: 2 4/25 in (55mm)		

Quantity	1	
Description: Phillips Head Bit		

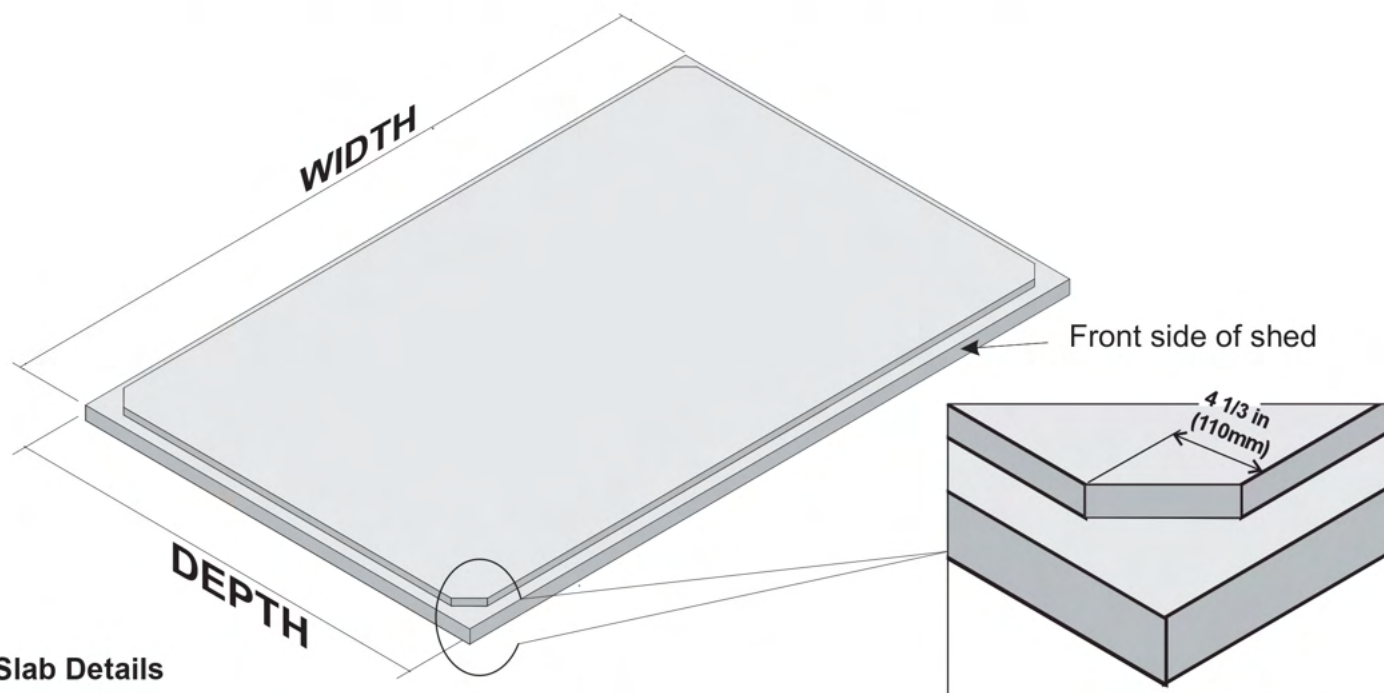
FOUNDATION



Recommended slab rebate detail

Although *not required*, it is strongly recommended that, to avoid water leakage around the base of your shed, a rebate be cast into the slab. This will allow the shed to sit below the slab level and prevent water from reaching the upper level of the slab.

If you planning a rebated slab make sure to cut the 4 1/3 in (110mm) as shown in detail below.



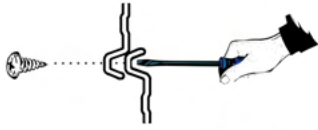
Slab Details

Your garden shed must be erected on a solid, level and square foundation. We strongly recommend you pour a concrete slab 3 in (75mm) thick, reinforced with SL62 mesh (minimum) using dimensions from the table below.

Masonry anchors are supplied

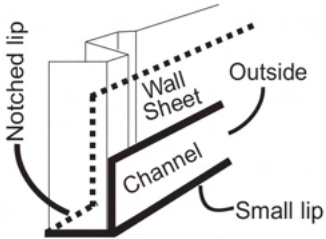
SHED CODE	OUTER SLAB SIZE width x depth	ANCHORS M8 x 40mm
S52	6 ft 1 1/4 in x 2 ft 8 3/10 in (1860mm x 820mm)	6

REAR WALL PANEL

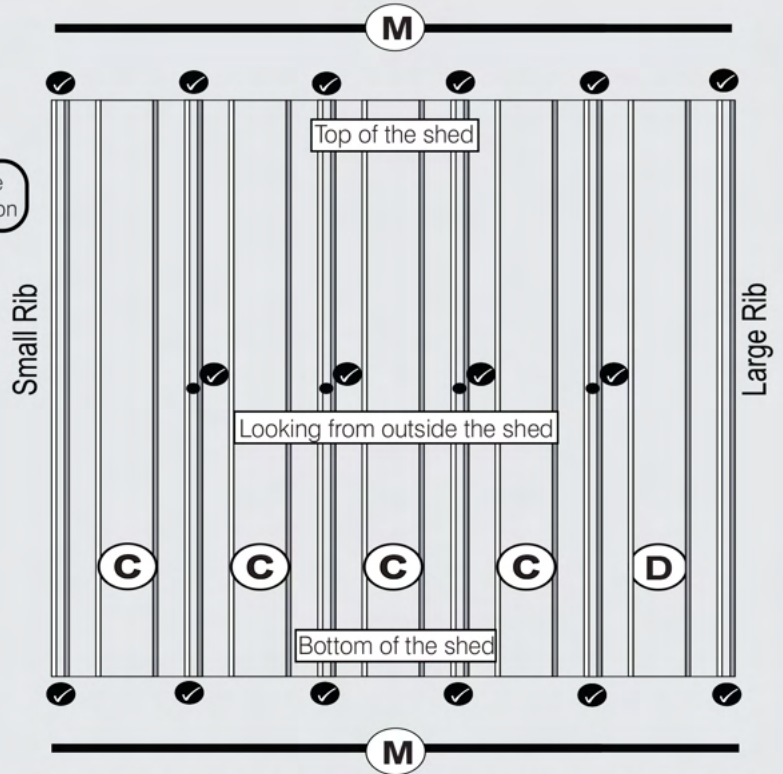


If you are having trouble screwing the channel to the sheets, chock behind the hole .

✔ This sign indicate the tek screw position

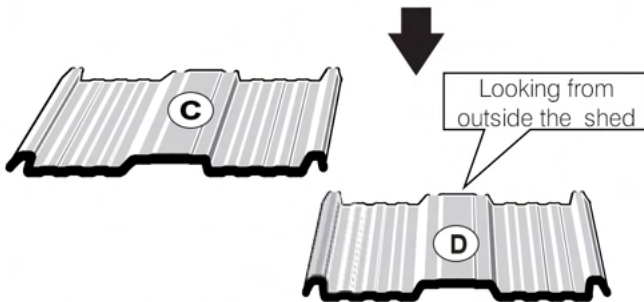


Ensure that the small lip of the channel is to the outside of the shed. Notched big lip is to inside

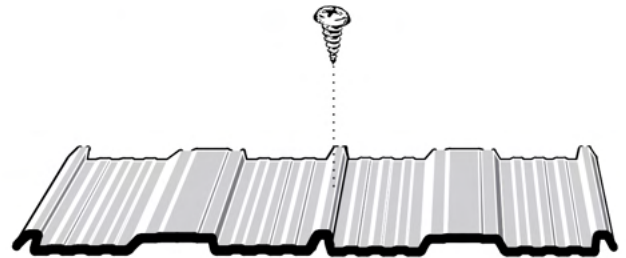


Fit the top and bottom channel to the wall panels. Ensure the channel is flush with the edge of the sheets. NB: Some channel holes may not align perfectly when the sheets are laid out. They can be easily manipulated into position and screw to the channel.

1



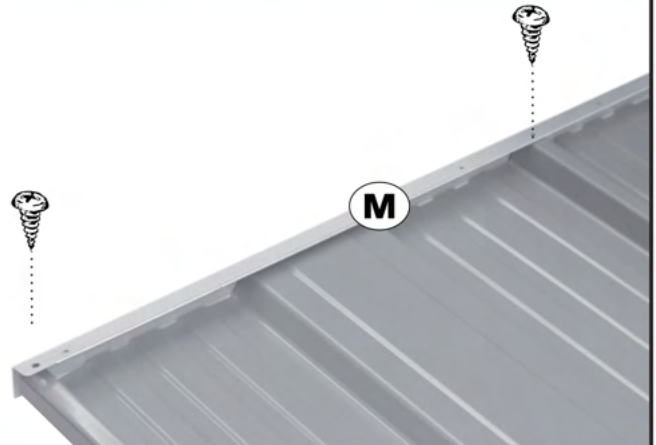
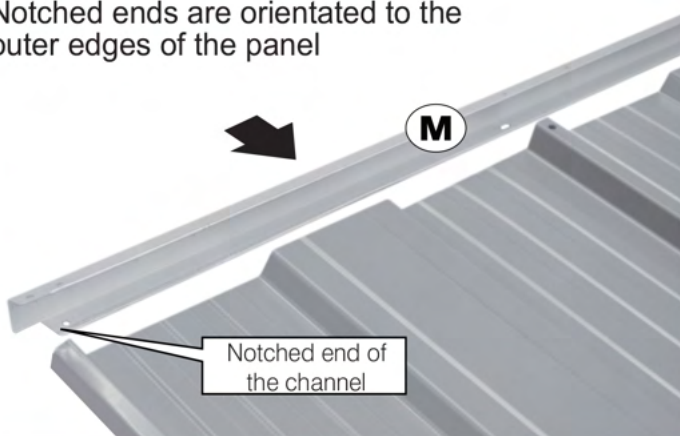
Lay the wall panels out with the large rib overlapping the small.



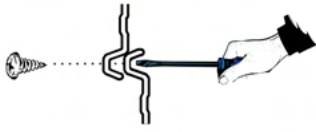
Screw the wall panels in the centre of the rib as shown.

2

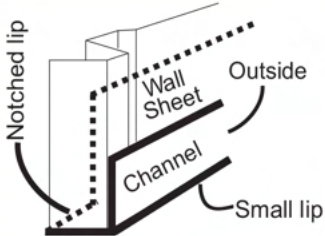
Notched ends are orientated to the outer edges of the panel



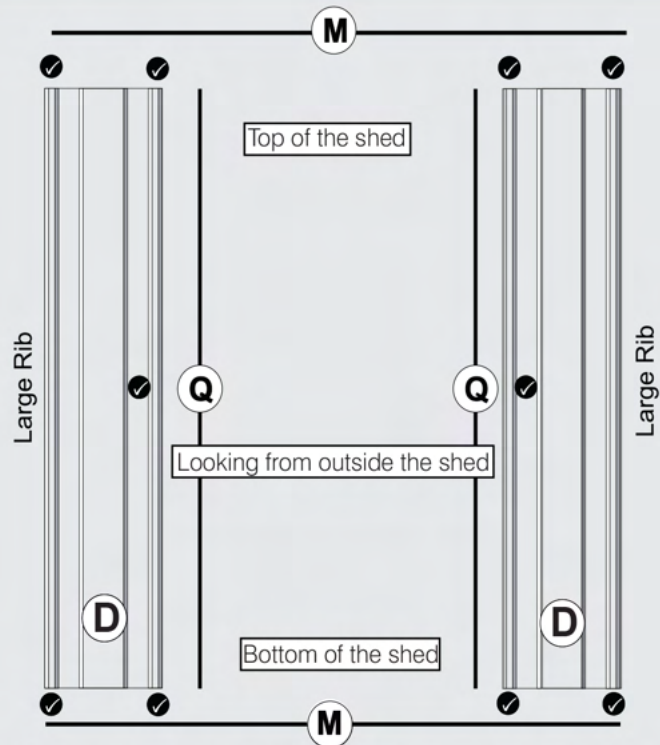
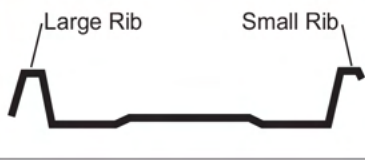
FRONT WALL PANEL



If you are having trouble screwing the channel to the sheets, chock behind the hole .



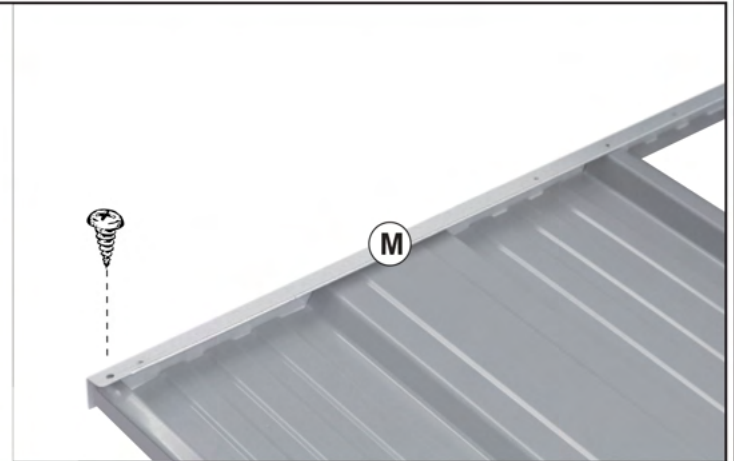
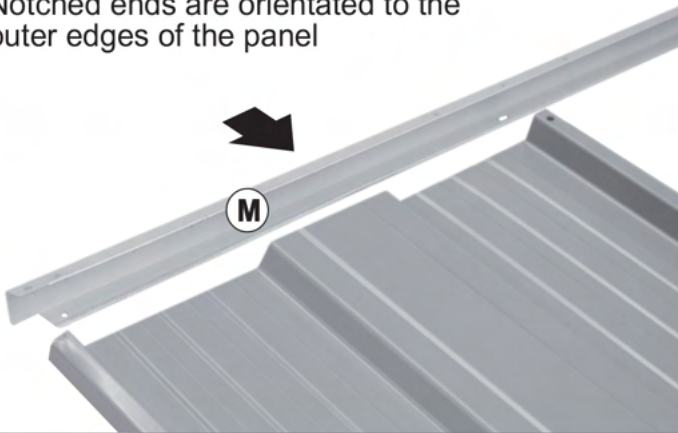
Ensure that the small lip of the channel is to the outside of the shed.
Notched big lip is to inside



Fit the top and bottom channel and door jambs to the wall panels. It is key to ensure the large rib on the sheets is to the outside of the front wall panel and the channel is flush with the edge of the sheets.
NB: Some channel holes may not align perfectly when the sheets are laid out. They can be easily manipulated into position and screw to the channel.

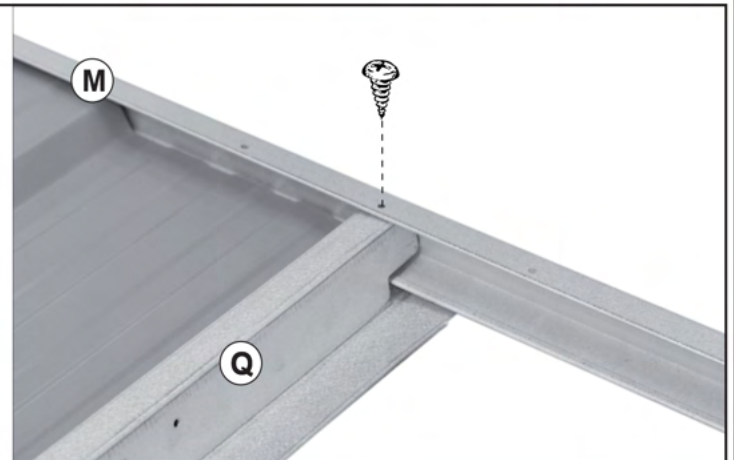
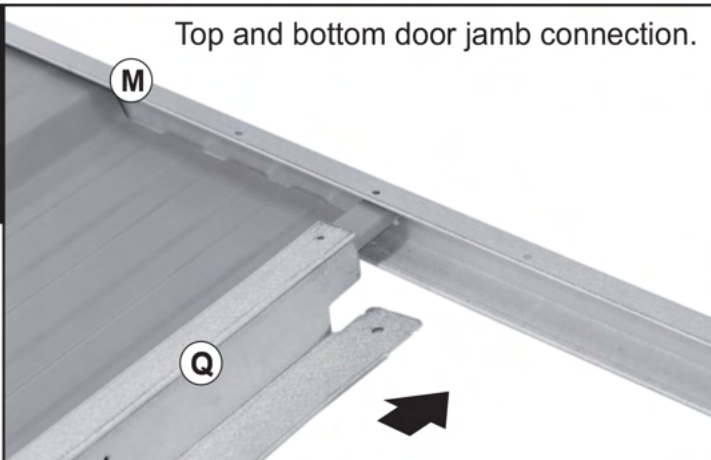
Notched ends are orientated to the outer edges of the panel

1

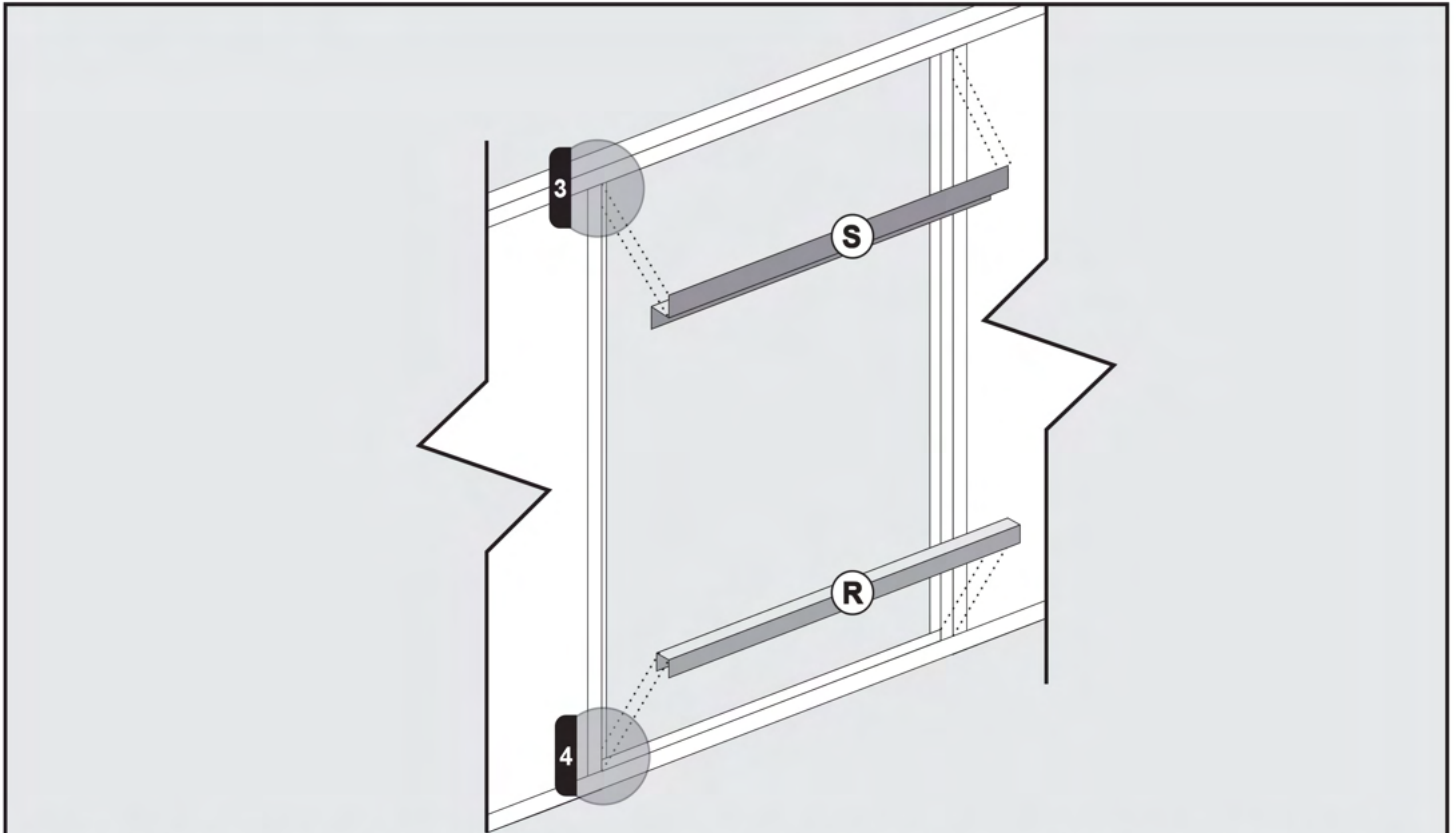


Top and bottom door jamb connection.

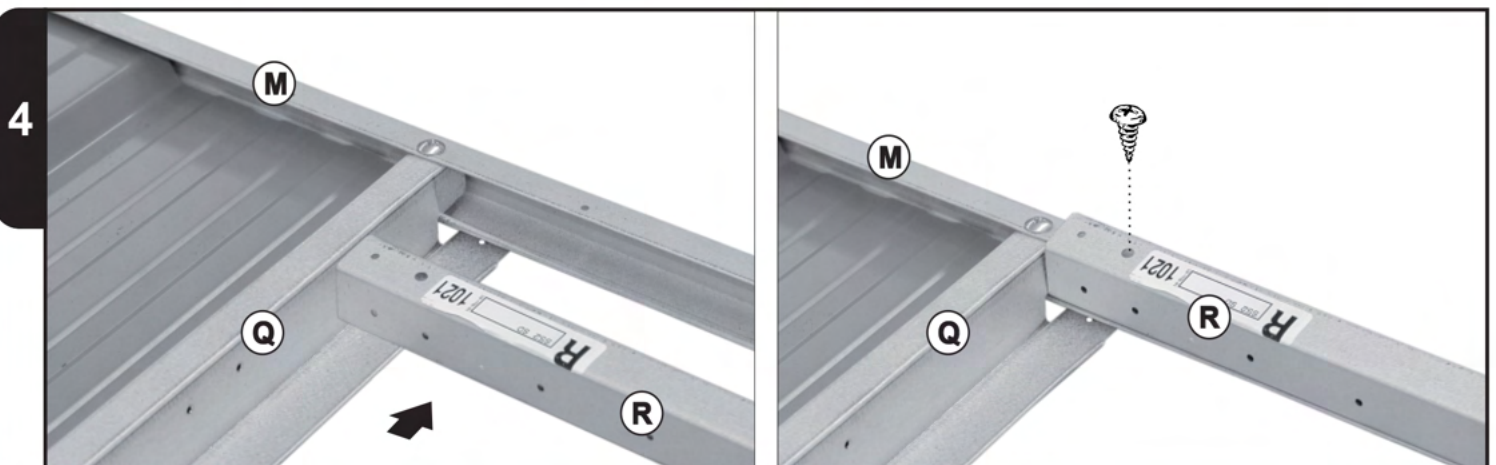
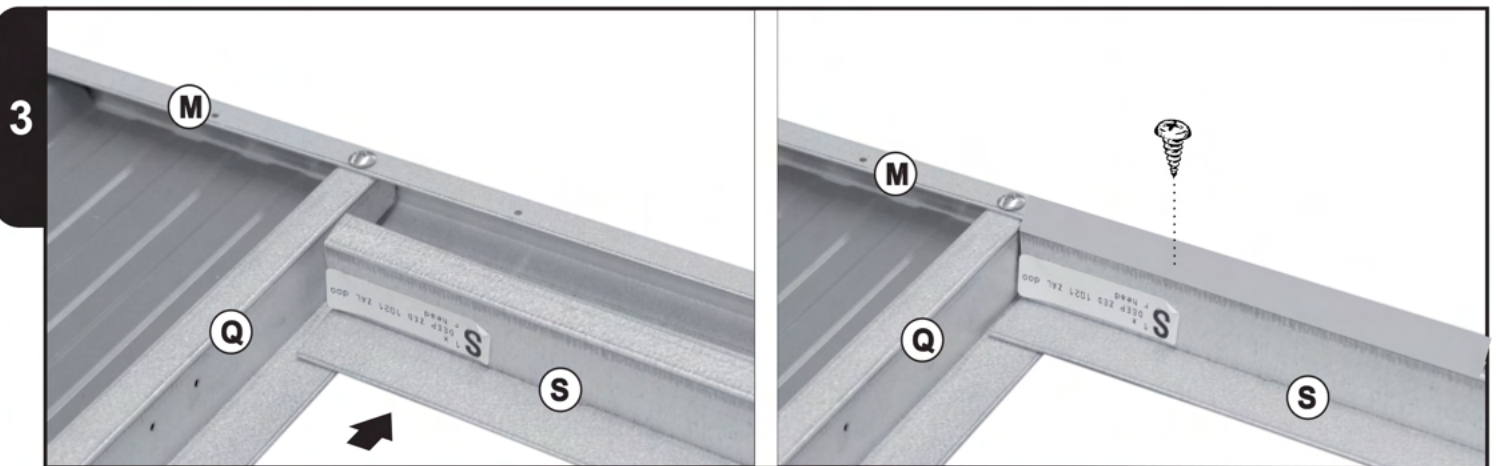
2



FRONT WALL PANEL

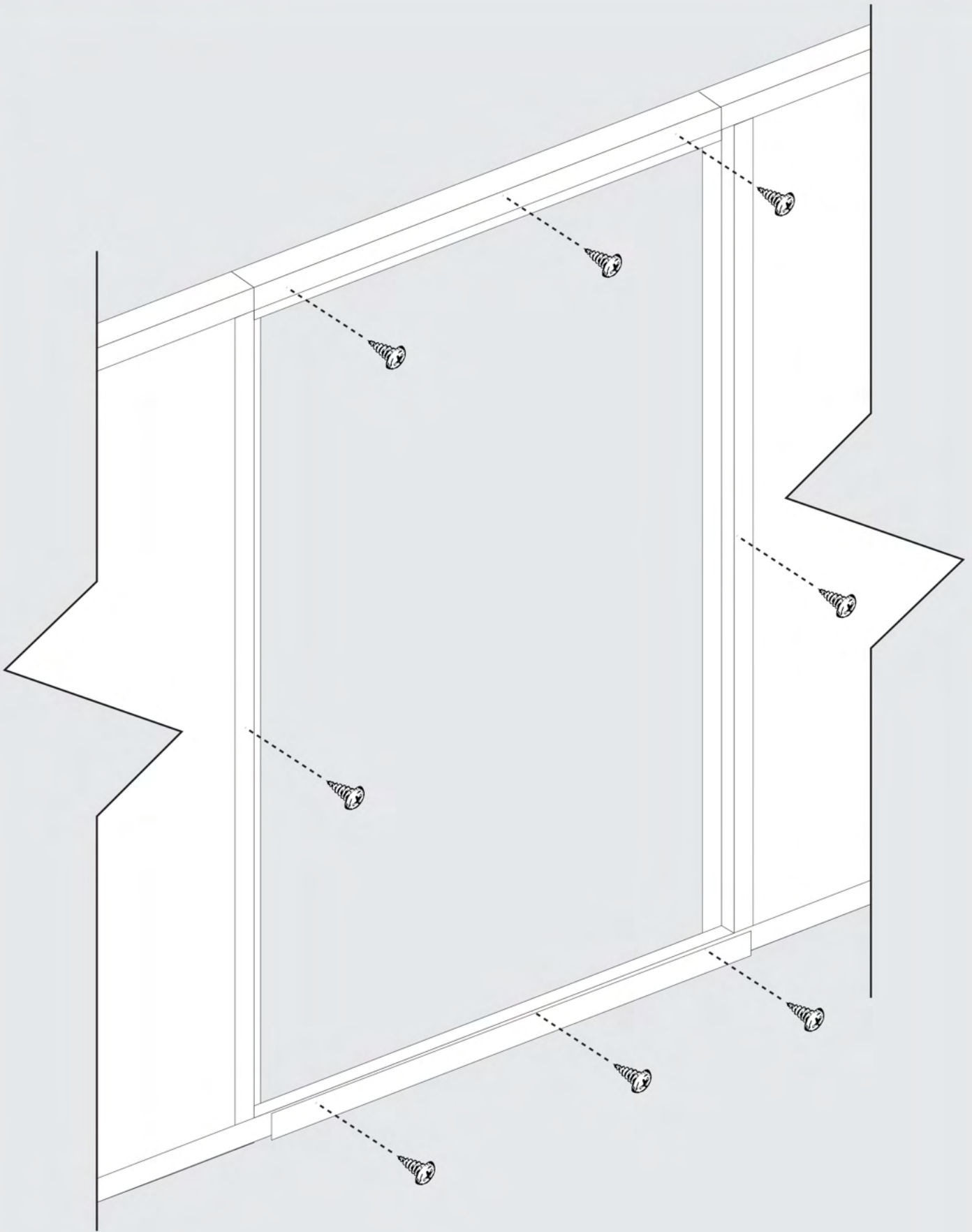


Fit the top door spacer and the bottom door spacer to the front wall panel as shown. Some pilot holes may need to be drilled with the included 2.5mm drill bit

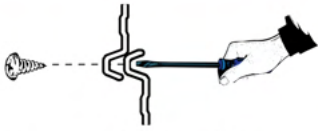


FRONT WALL PANEL

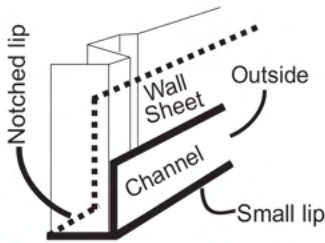
5



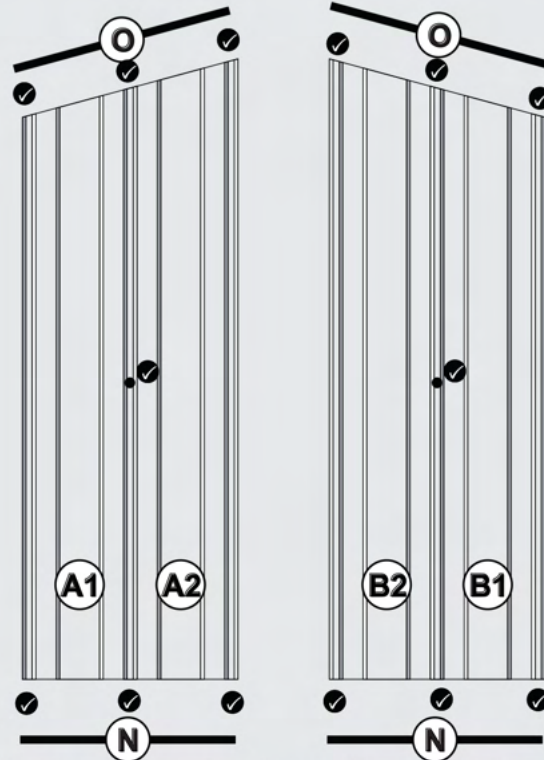
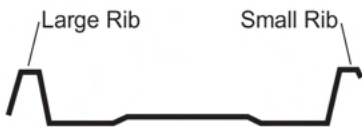
SKILLION WALL PANELS



If you are having trouble screwing the channel to the sheets, chock behind the hole .

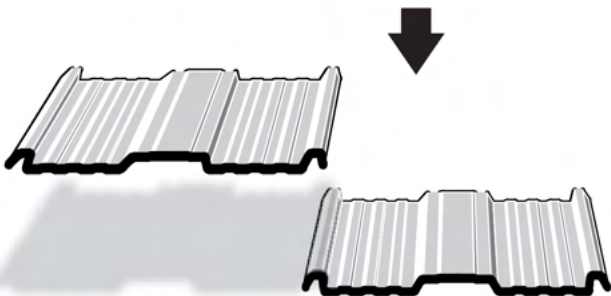


Ensure that the small lip of the channel is to the outside of the shed. Notched big lip is to inside

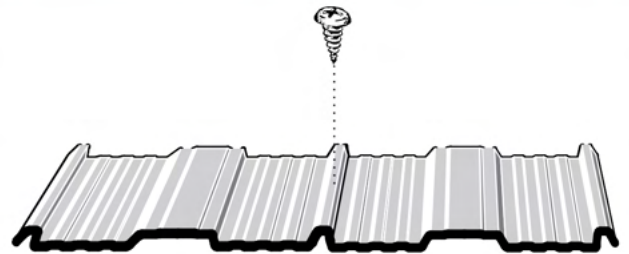


Fit the top and bottom channel to the wall panels. Ensure the channel is flush with the edge of the sheets.

1



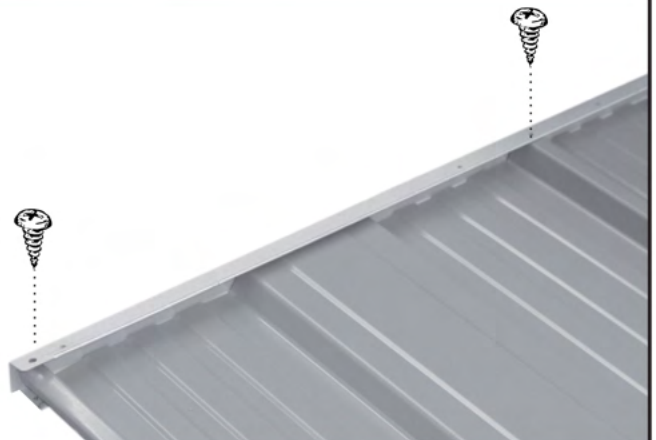
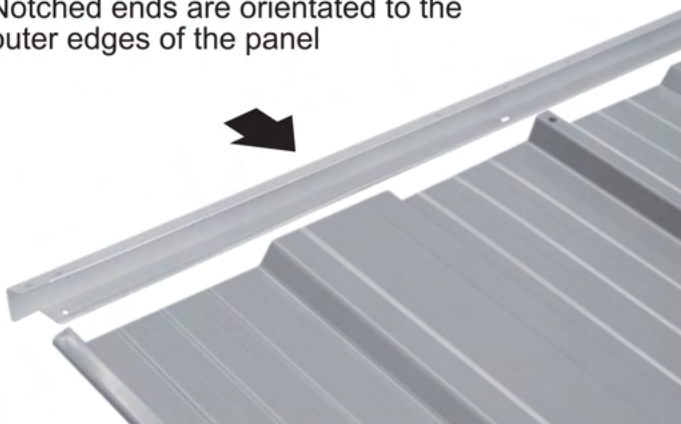
Lay the wall panels out with the large rib overlapping the small.



Screw the wall panels in the centre of the rib as shown.

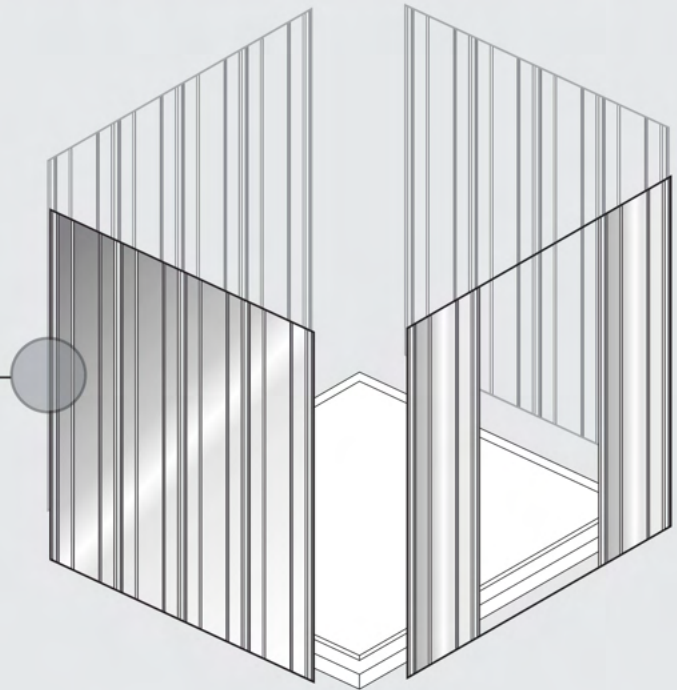
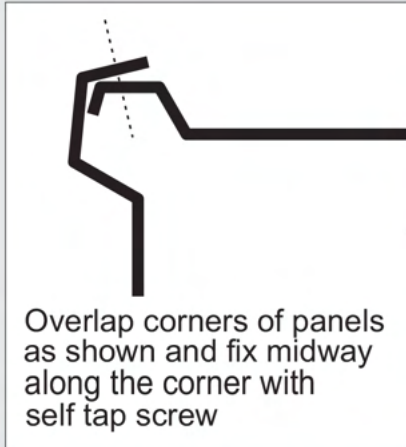
2

Notched ends are orientated to the outer edges of the panel



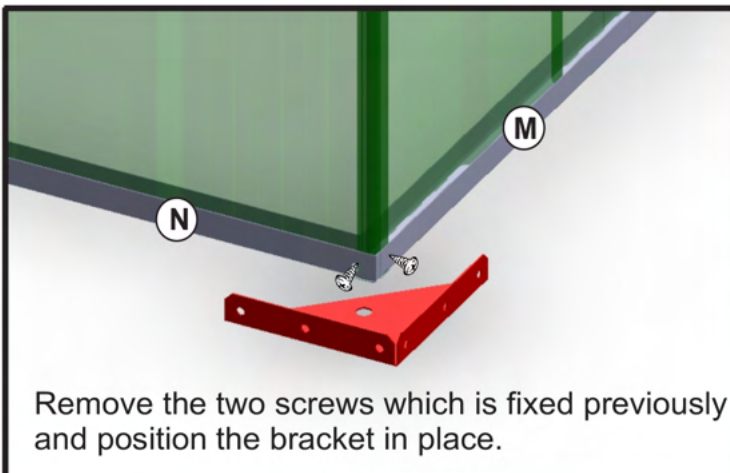
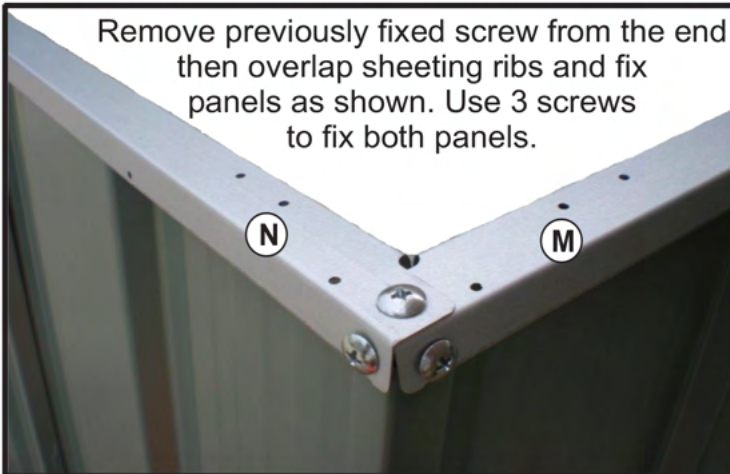
STAND AND JOIN WALL PANELS

NOTE: The diagram below shows a 44 flat roof shed. The assembly process is the same for all flat roof sizes.

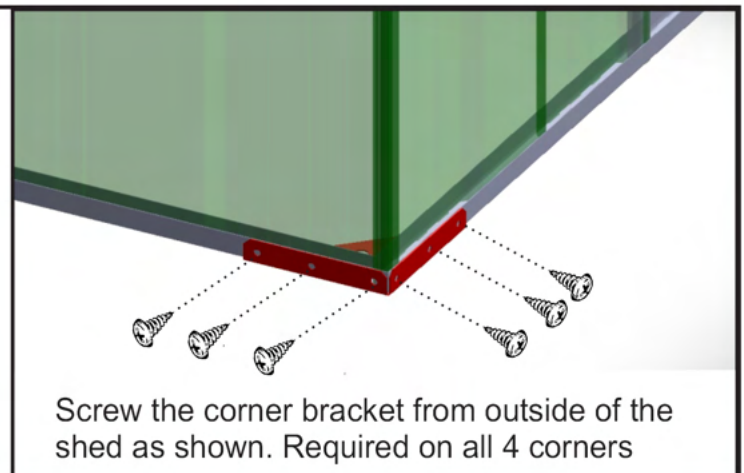


Once the four wall panels are assembled, they can now be stood and fixed together. Fix using the corner brackets and screws as shown below. Fix the front panel last. N.B when assembling large wall models, eg. 7 panels width and above, extra care should be taken, with person two providing adequate support to stop the wall from distorting.

Remove previously fixed screw from the end then overlap sheeting ribs and fix panels as shown. Use 3 screws to fix both panels.



Remove the two screws which is fixed previously and position the bracket in place.



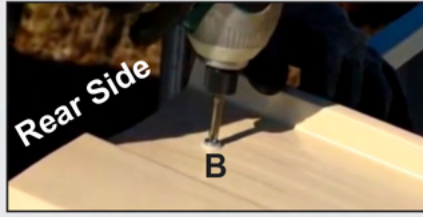
Screw the corner bracket from outside of the shed as shown. Required on all 4 corners

FIT ROOF

1



Step 1: Place roof sheet on top, start from the left, big rib should flush with channel "N". Place all sheets as shown.



Step 2: Start from rear side. Screw all holes "B".
Do not screw the hole "A" yet.



Step 3: Screw the front side through all holes "C". one screw per sheet.

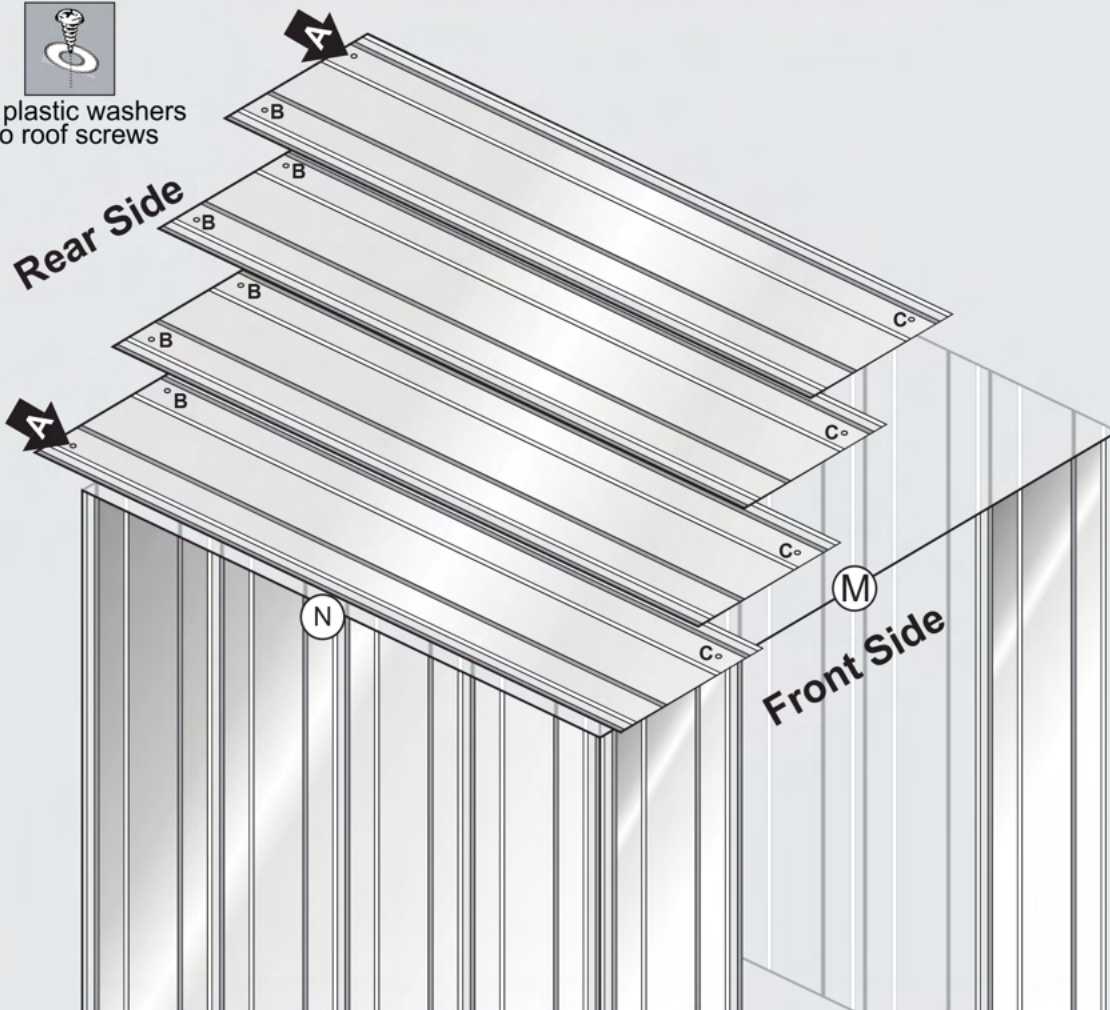


Step 4: Screw the Rear side holes "A". You may either pre drill or use self drilling tek screw to fix this.

Two screw holes should be positioned on the rear side of the shed

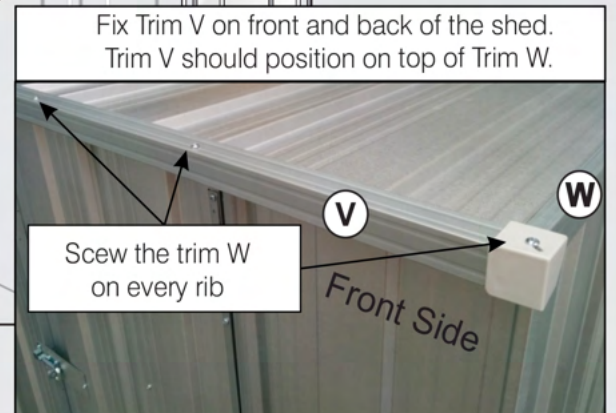
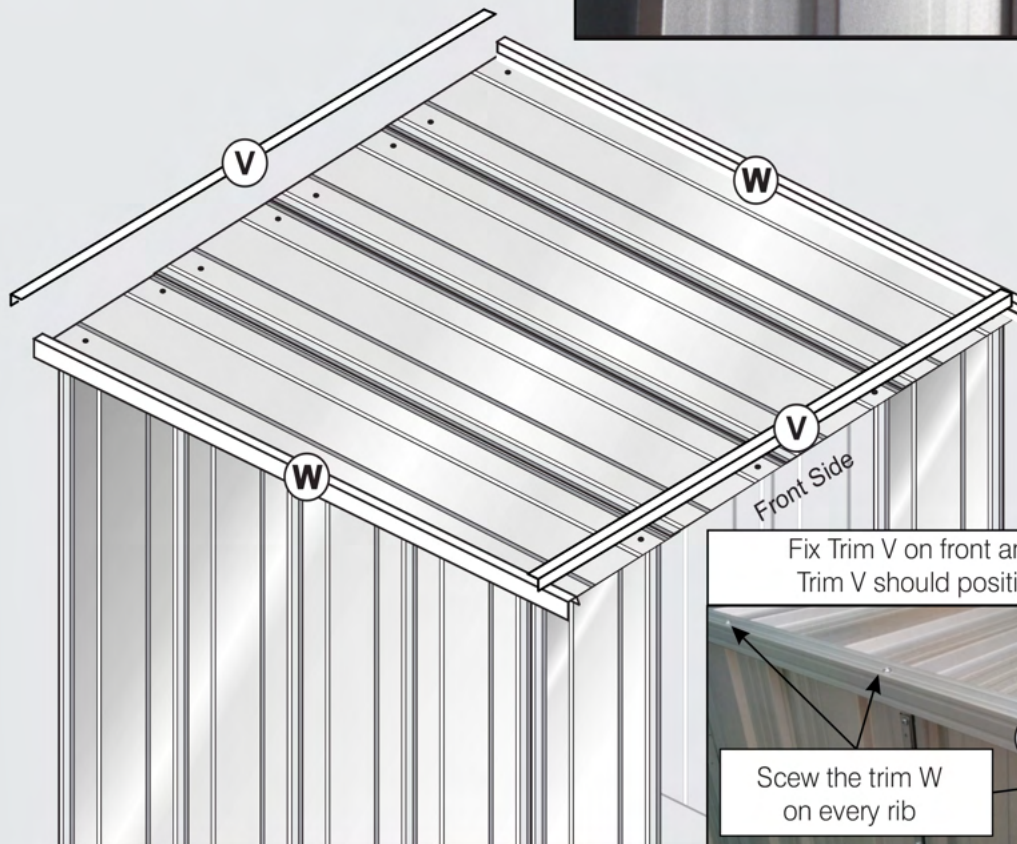
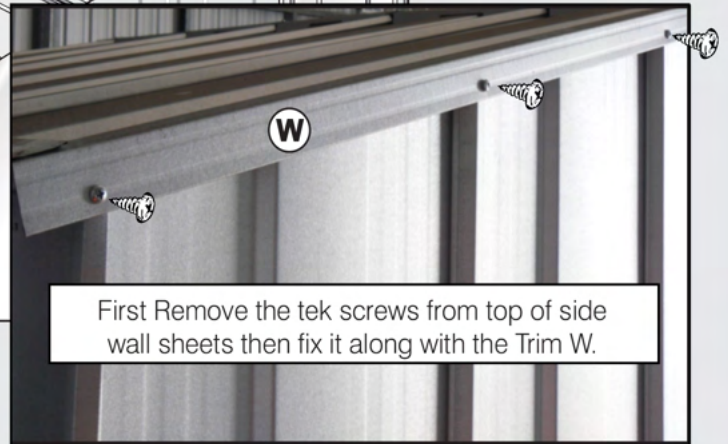


Fit plastic washers to roof screws

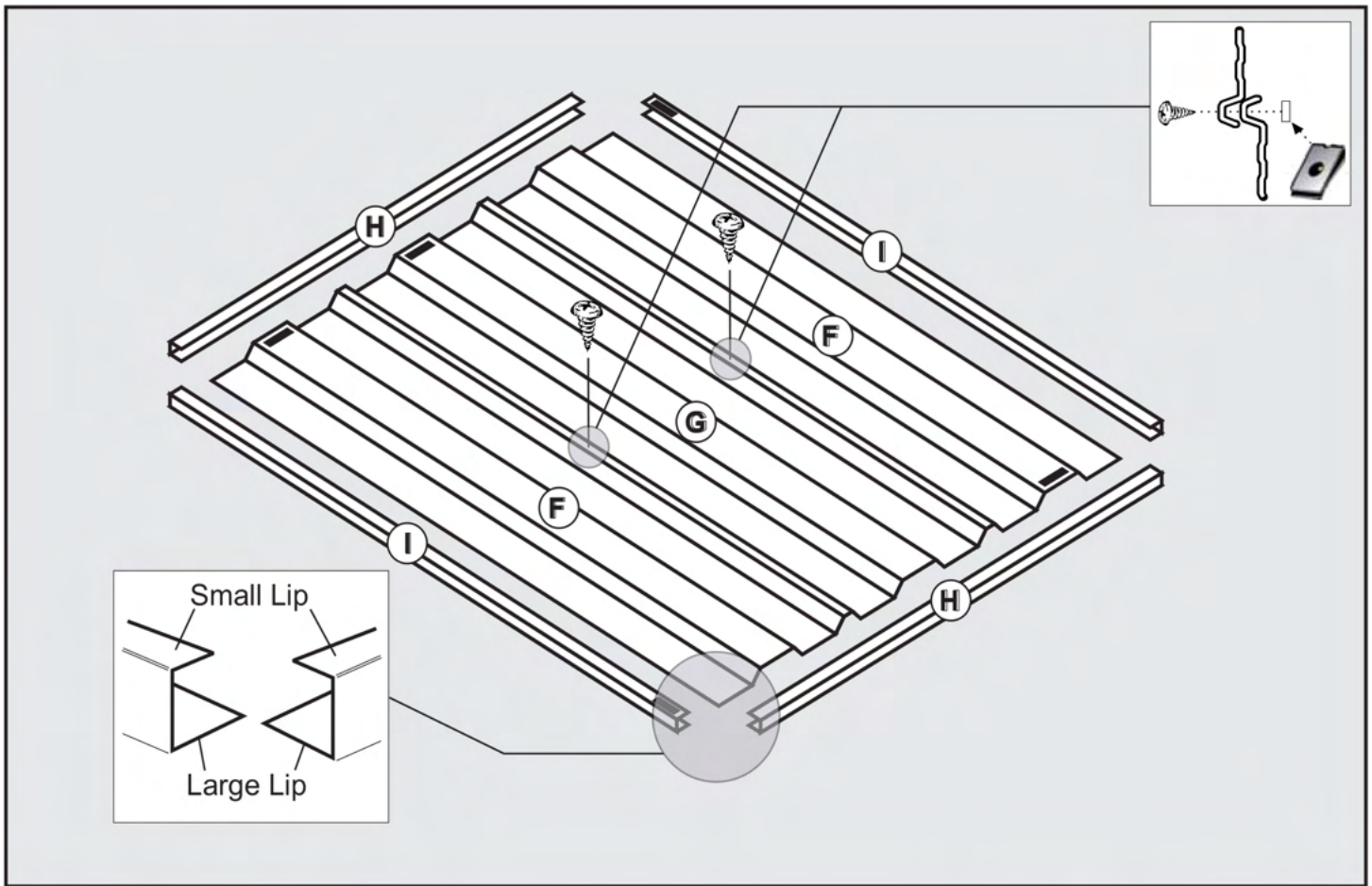


FIT ROOF TRIMS

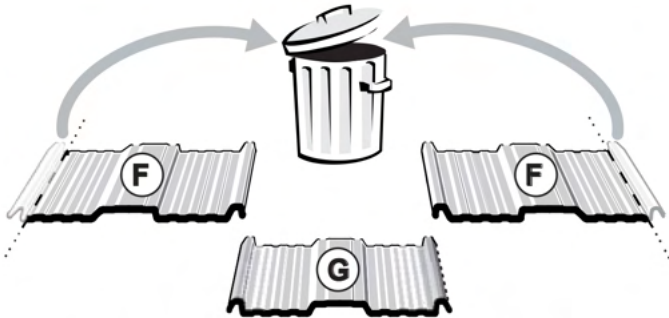
2



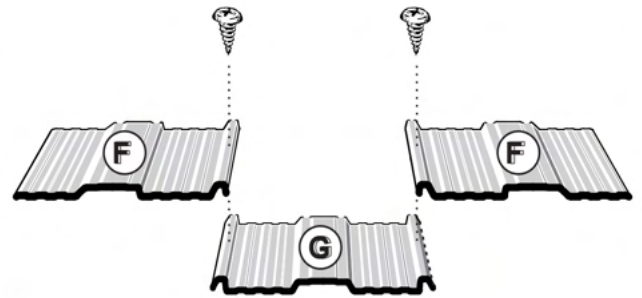
ASSEMBLE DOOR



1



Two of the door sheets come with one rib partially slit. Break them off and discard them.



Screw the sheets in the centre.

2

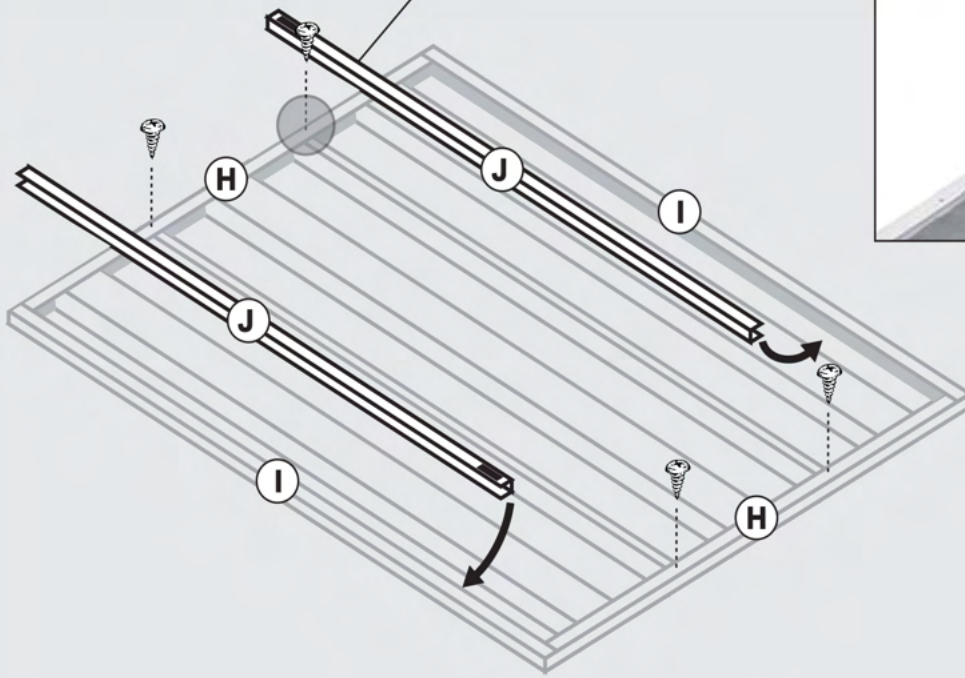
Frames slide under the sheet as shown. Ensure the small lip of the frame is to the top.



Fix door frames with a screw in each corner. Ensure that the big hole sits over the small.



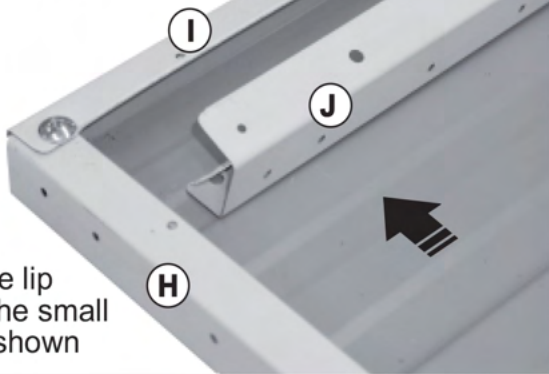
ASSEMBLE DOOR



Fix the frame H to the sheeting with screws through the small channel lips into the large sheeting ribs. Door boxing must be fitted to the door frame.

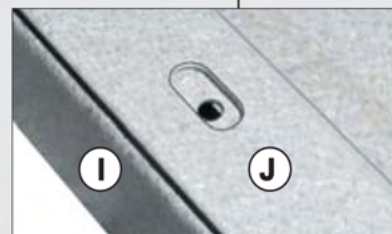
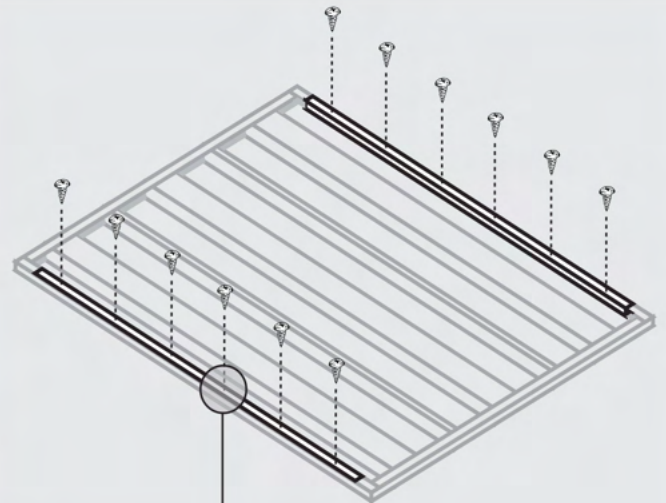
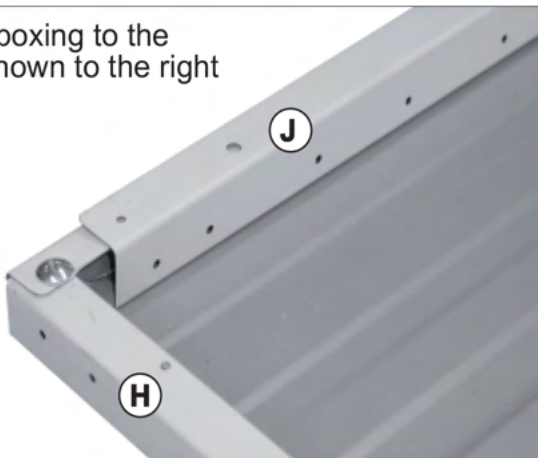
3

Leave an even gap at both ends of the boxing.



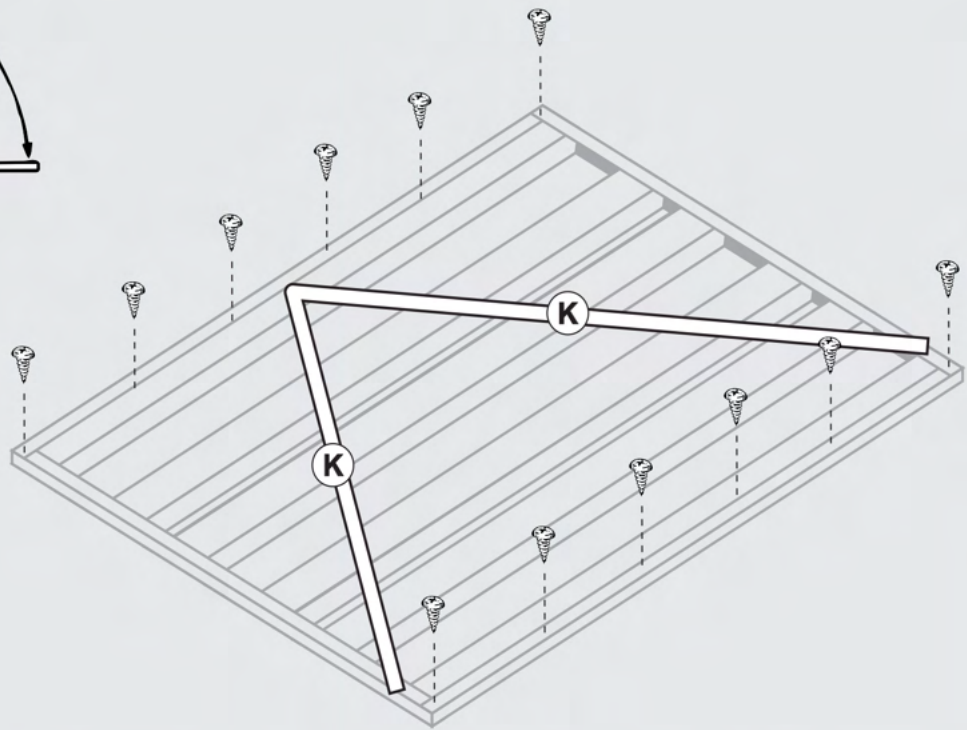
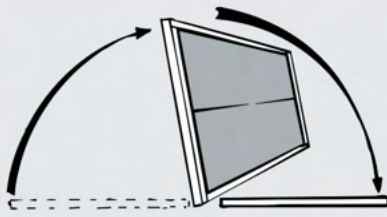
Place large lip of J over the small lip of I as shown

Screw the boxing to the frame as shown to the right



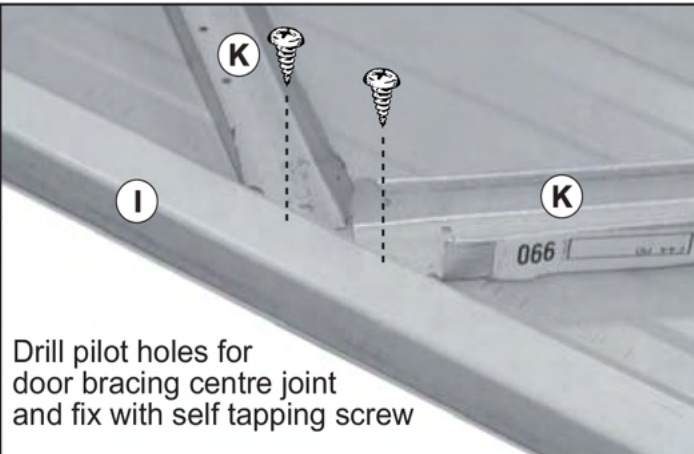
Fix both door boxing in place using six (6) screws.

ASSEMBLE DOOR



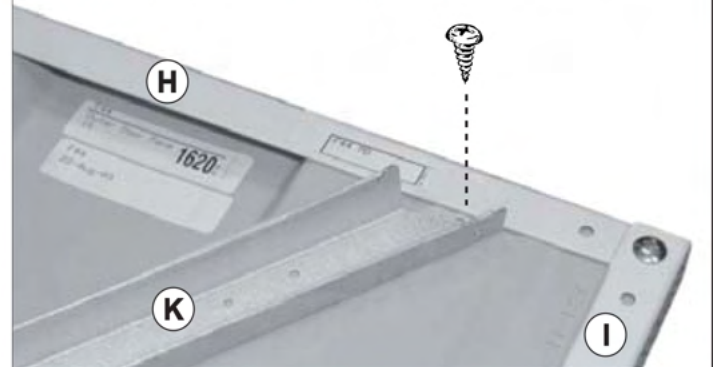
Flip the door assembly over and fix the door frame with screws evenly spaced as shown above. Door bracing will also need to be fitted to the door to ensure sturdiness.

4

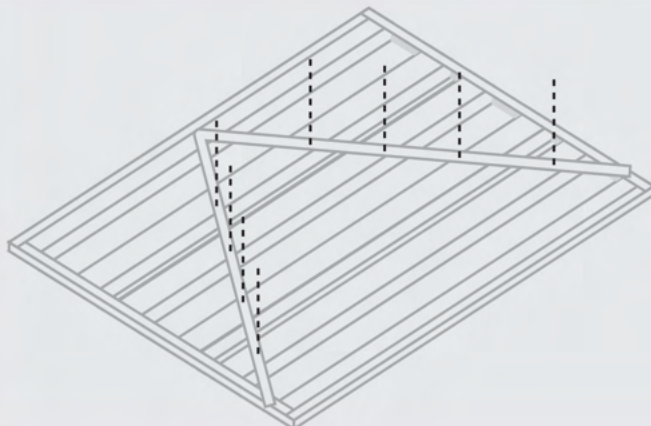


Drill pilot holes for door bracing centre joint and fix with self tapping screw

Drill pilot hole for top and bottom bracing joint, and fix with self tapping screw.



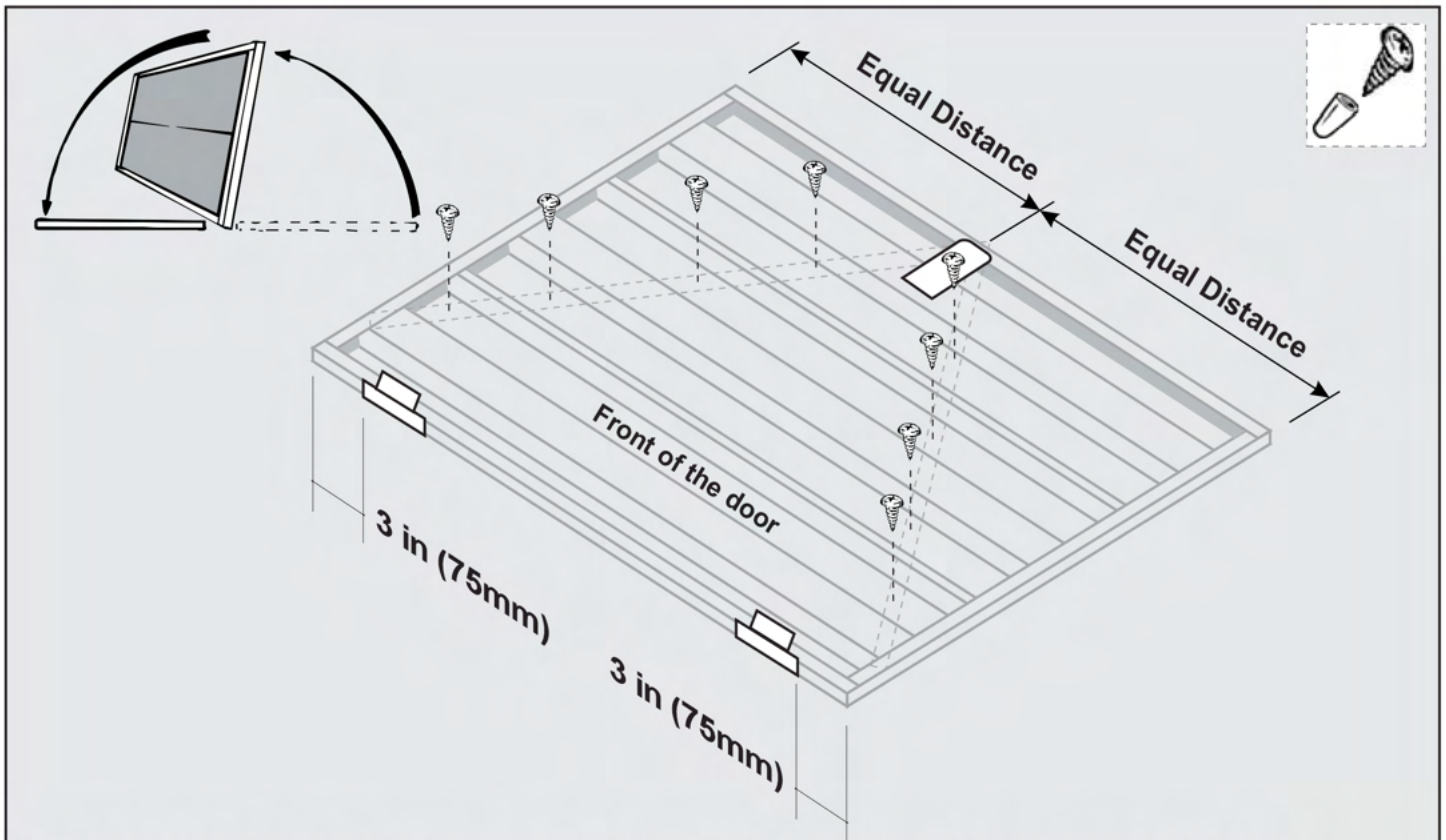
5



Use the 2.5mm drill bit to drill pilot holes through the door bracing into the door sheeting.

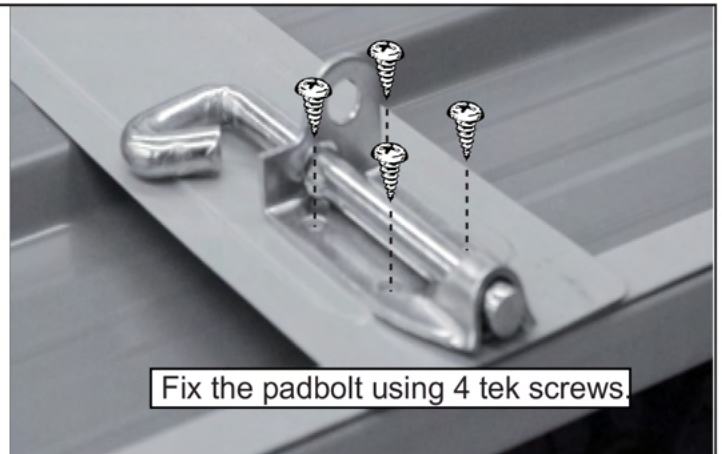
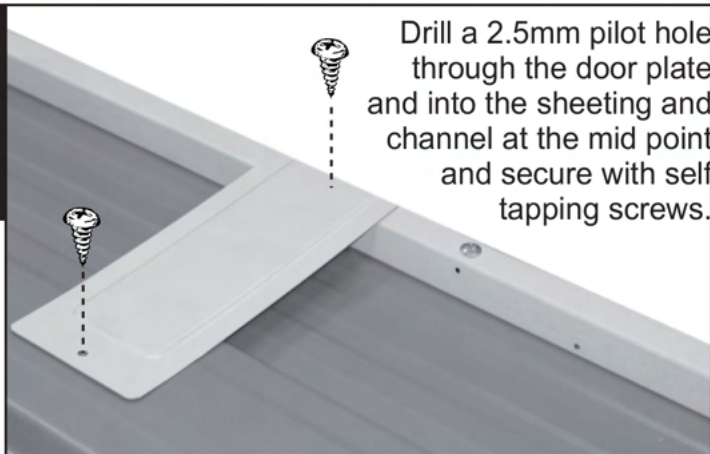
DO NOT FASTEN BRACING YET

ASSEMBLE DOOR

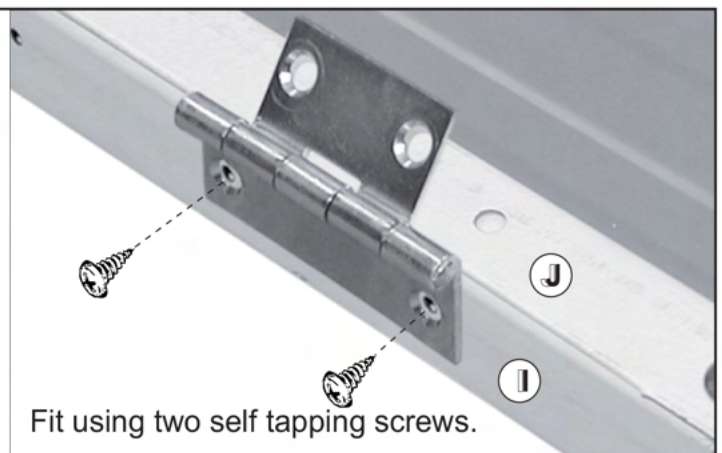
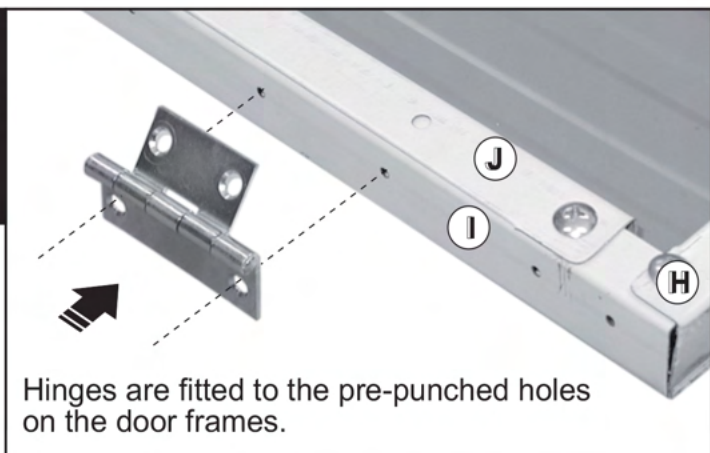


Flip the door back over to the front side facing up. Using the pilot holes drilled before, fix the door bracing from the front with self tapping screws.

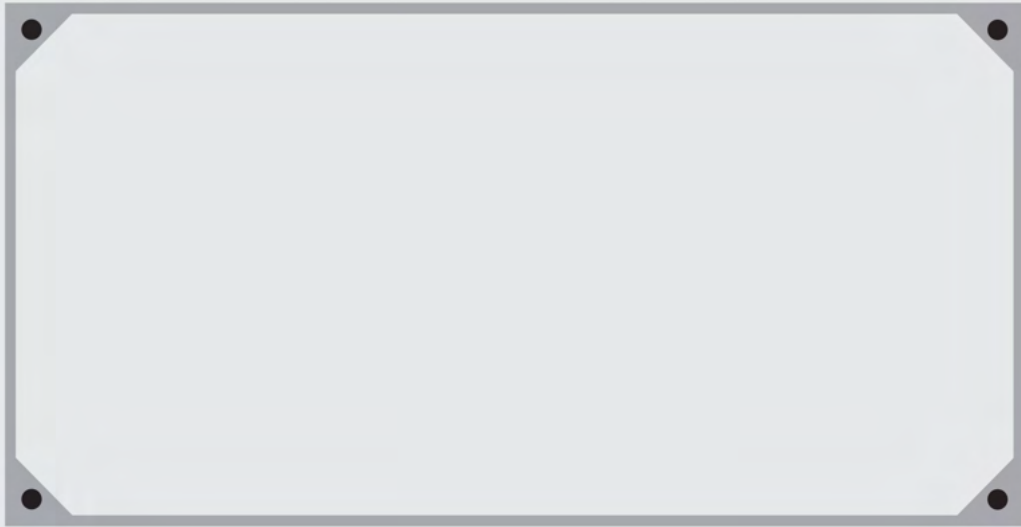
6



7

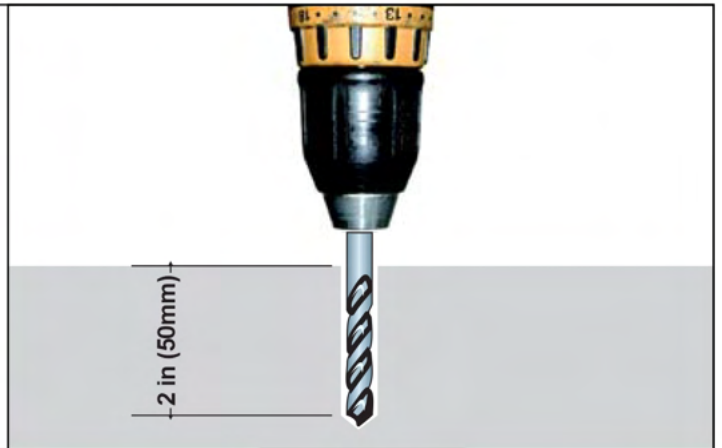
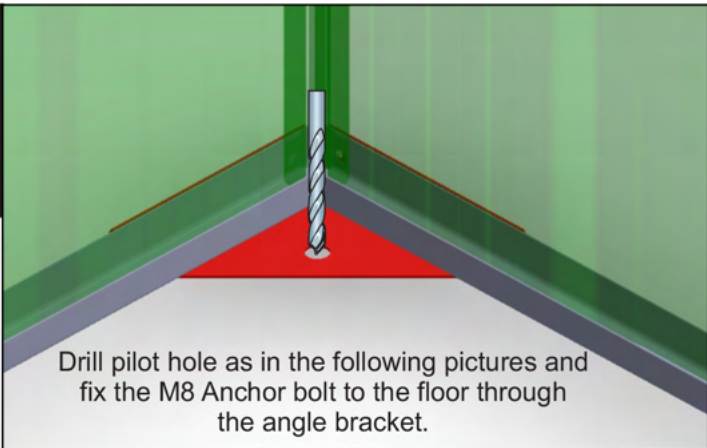


BOLT DOWN

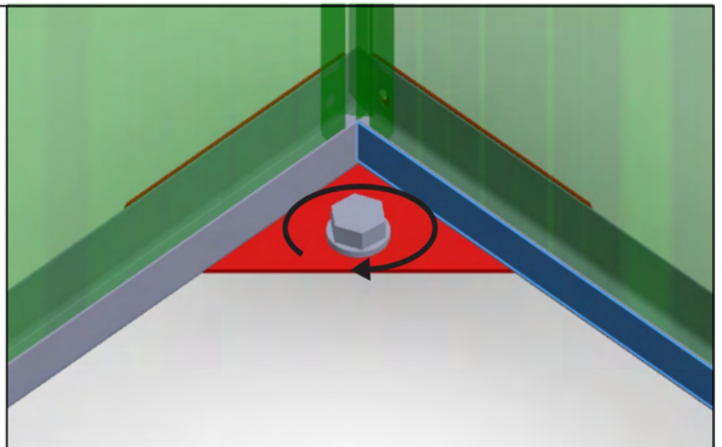
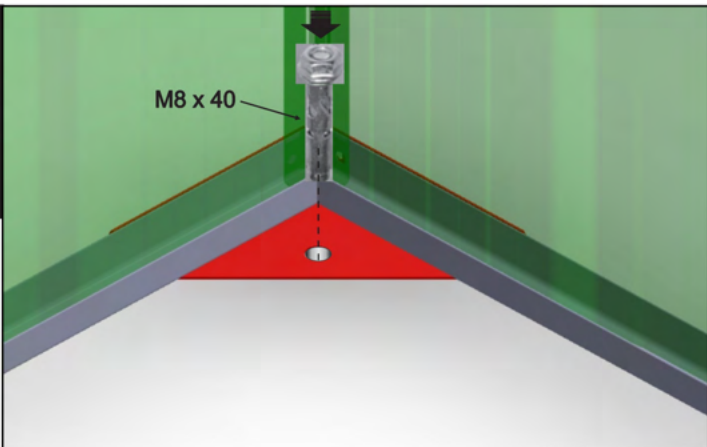


Bolt the shed down through the four corner brackets as shown. Ensure the shed is square.

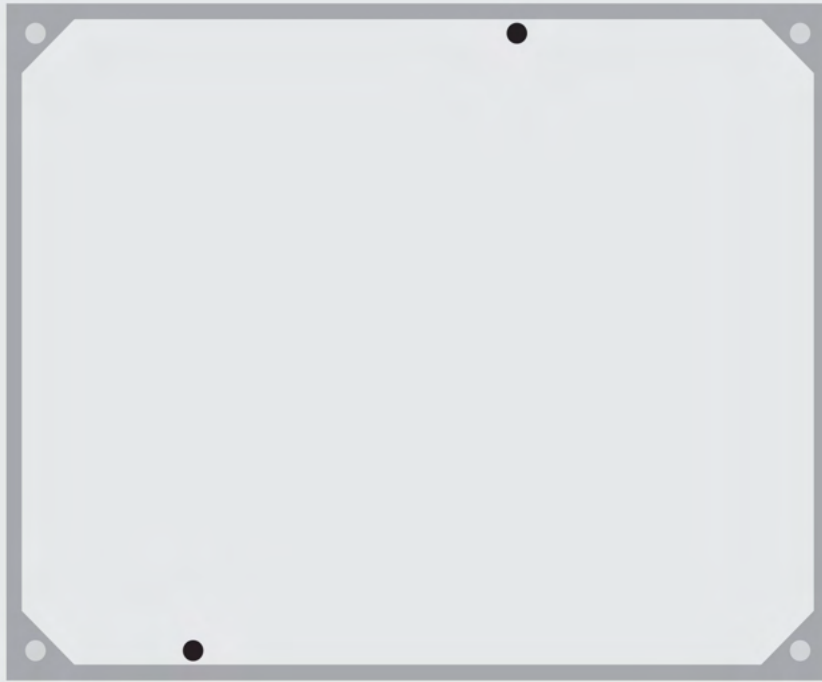
1



2



BOLT DOWN

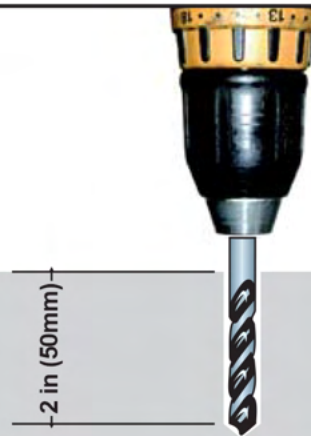


Bolt the shed down through the angle brackets as shown.

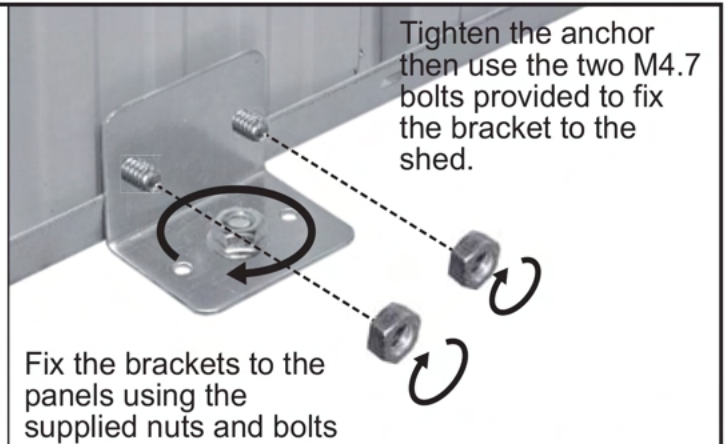
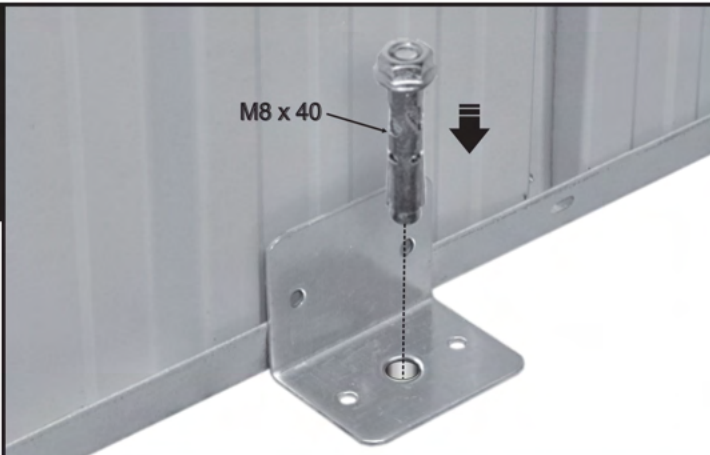
1



Drill the hole for the anchor to 2 in (50mm) depth and then using a 5mm drill bit, drill the holes through the sheeting to attach the bracket to the shed.



2

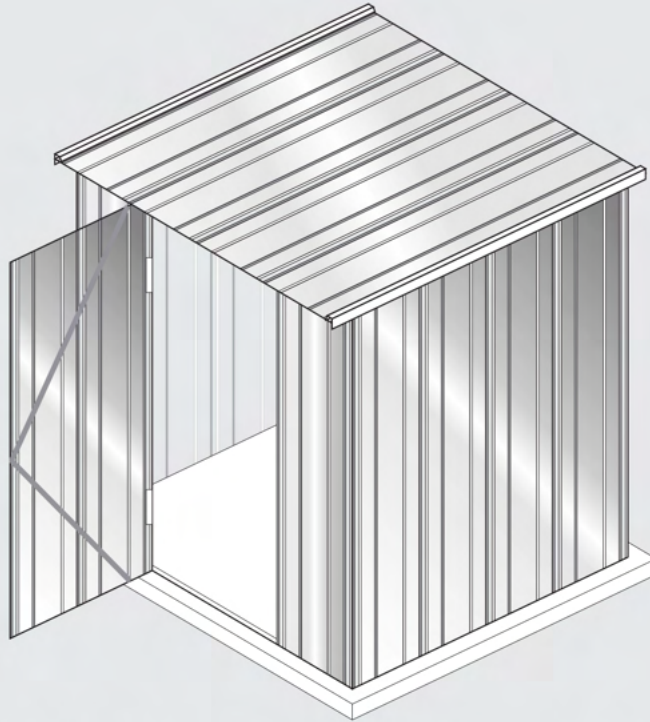


Tighten the anchor then use the two M4.7 bolts provided to fix the bracket to the shed.

Fix the brackets to the panels using the supplied nuts and bolts

HANG DOOR

NOTE: The diagram below shows a 44 flat roof shed. The assembly process is the same for all sheds.



Fit the door to the left or right by fixing the hinges to the pre-drilled holes in the door jambs then fit the padbolt keeper.

1



2



Drill pilot holes to accommodate the padbolt keeper and then fix with self tapping screws



Thank you for purchasing a True Buildings Garden Shed

True Buildings Garden Sheds are made using high quality Australian made steel.

What is covered under the warranty?

True Buildings steel garden shed 15 year warranty is limited to the following specific cover.

1. Zinc and/or galvanised panel materials will not rust
2. Coloured panel materials will not rust, flake, peel or blister.

Please note the 15 year warranty does not apply to any accessory items such as fasteners, Hasp, Pad bolts, also including flooring kits, shelving, hook sets, tool racks etc.

The 15 year warranty is eligible only to the original purchaser/owner of the shed as registered within 60 days from the date of purchase and is not transferable. The warranty is subject to location and local environmental conditions outlined in the warranty exclusions below.

Warranty Qualifications & Limitations

The True Buildings 15 year warranty is subject to the following qualifications and limitations

1. Warranty does not apply to surface deterioration of the panels caused specifically by
 - a. "Swarf"(tiny particles of steel debris left from cutting, grinding or drilling operations) that have not been dutifully removed during the assembly construction process.
 - b. As a result of contact with damp soil, chemicals, fertilisers, or other corrosive substances
2. Warranty does not cover damage caused by storms, wind, rain, hail, snow or any other adverse environmental event or "act of god"
3. Warranty only applies if the shed is used solely for domestic purposes and installation is in accordance and compliance with the True Buildings instruction manual and manufacturer recommendations.
4. Warranty does not apply if the shed is installed / located in
 - a. Ocean/surf locations (typically defined as within 1 mile from coastal or tidal locations),
 - b. Severe industrial locations
 - c. Unusually corrosive environments (e.g. Geothermal / Sulphuric conditions)
5. Warranty does not cover any damage as a result of
 - a. Any impact
 - b. Poor foundations
 - c. Modifications
 - d. Build-up of debris on or in roof or walls
 - e. Poor assembly and/or construction
6. The warranty will be void if the shed has been relocated from its original location / address
7. The warranty is limited to the replacement and delivery of panels and specifically excludes any labour, installation or removal/disposal costs.
8. Warranty applies to the exclusions of all other representations, guarantees or warranties, either expressed or implied unless otherwise required by applicable law.
9. Your warranty registration certificate and supporting documentation must be completed and lodged within 60 days of the date of purchase.

Warranty Claims

All warranty claims should be made in writing sent directly to:

True Buildings Delivery Address (Metroll):
 15435 Arrow Route,
 Fontana, CA 92335,
 United States
Contact no. +1 909 331 4668

Claims must include:

- a. Original proof of purchase documentation
- b. Relevant contact information
- c. Product model
- d. Photographic evidence
- e. Description of the damage



Warranty Registration Certificate

Owners Details

Owners Name:

Street Address:

City & State:

Post Code:

Email:

Building Details

Product Model Number:

Colour:

Place of Purchase:

Purchase date:

Please attach here a photocopy of proof of purchase
Retain the original for your records

You must submit your warranty registration certificate within 60 days of the purchase date of your TRUE BUILDINGS garden shed.

Post your certificate and supporting documentation to:

True Buildings Delivery Address (Metroll):

15435 Arrow Route,
Fontana, CA 92335,
United States

Contact no. +1 909 331 4668



TrueBuildings

**Simple, Strong,
Quick & Easy**

