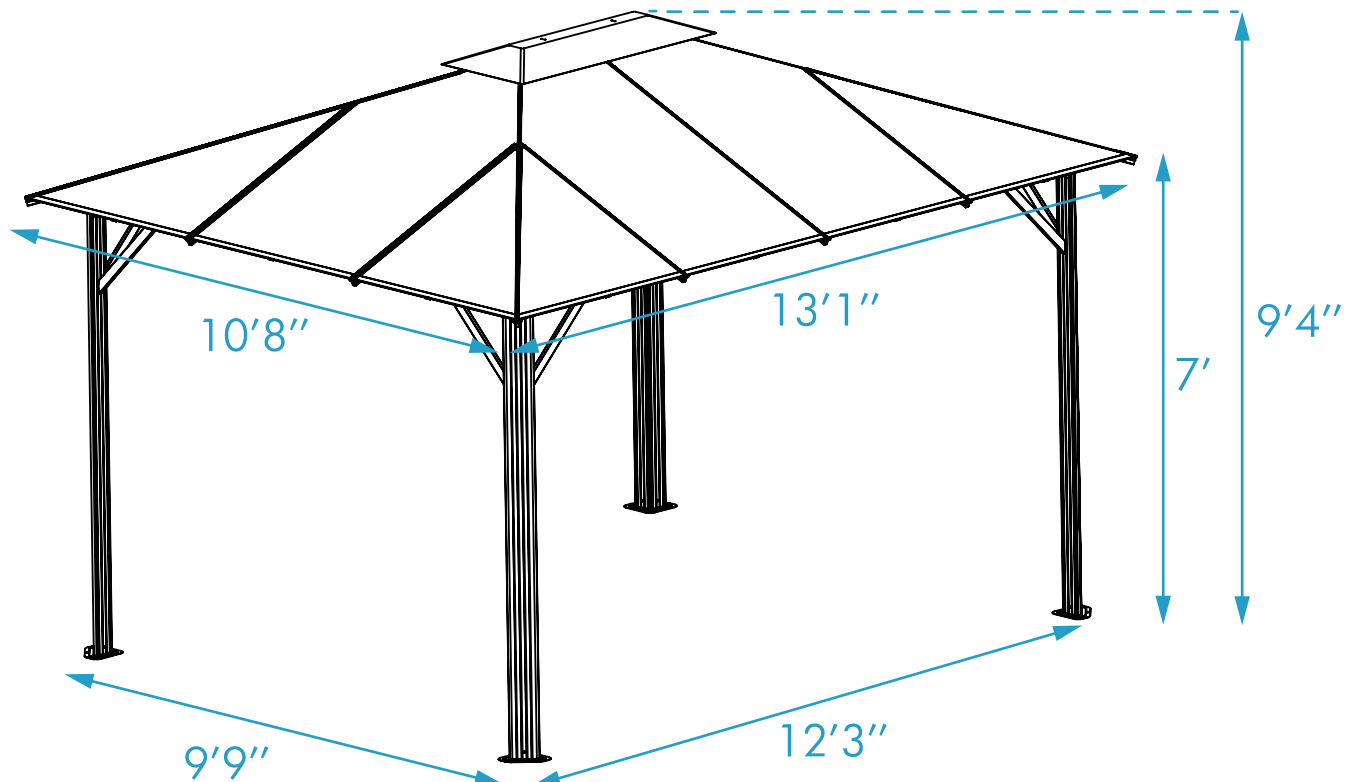




# Gazebo GZ3584-1

Aluminum Composite Roof Panels

Assembly Instructions

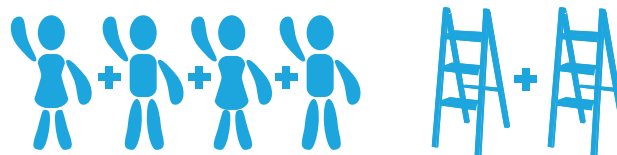


@paragonoutdoorcompany

Paragon Group USA

Customer Service: (877) 782 4482 Email:cs-outdoors@paragongroupusa.com

# Introduction



Thank you for purchasing the Gazebo GZ3584-1.

When properly assembled and maintained, this gazebo will provide many years of enjoyment!

These instructions include helpful hints and important information needed to safely assemble and properly maintain the gazebo. Please read these instructions completely before you begin.

Our patented gazebo has been designed for easy assembly. All steps can be completed by a team of four people. The assembly should take about two hours.

## Before Starting Assembly:

CAREFULLY READ ALL THE INSTRUCTIONS BEFORE YOU BEGIN AND FOLLOW THE STEPS IN THE ORDER THEY ARE PRESENTED.

### 1. Make sure you have all the necessary parts:

Compare the contents of all cartons to the List of Parts. If any parts are missing or damaged, or you have any questions, please contact Customer service: (877)782 4482 before beginning assembly.

### 2. Lay the parts out in separate staging areas:

The List of Parts has the corresponding step number referenced to each part. We recommend that while you go through the list, make staging areas for each step and place the parts necessary for each step in these areas. This will save you time and effort during assembly.

### 3. Select a Location:

When selecting a location for your gazebo, a flat level area is essential and if possible with proper water drainage and easy access to power and water, if necessary.

Choose a sunny, level position away from overhanging trees and power lines and protected from the wind as much as possible. Locate underground pipes or cables before preparing the site or anchoring the gazebo.

Note: You may assemble the gazebo on a hard level surface and move it to its final location when finished. Make sure that there are no obstacles between the assembly area and the final position.

### 4. Prepare a Foundation:

After choosing a location, proper preparation of the site is recommended. The site must be level.

If the site is not level, create a base slightly larger than the outside dimensions of the gazebo using a perimeter of two by fours filled with either soil, sod or gravel.

Make sure the base is square by measuring the diagonals from both directions and making sure they are equal. The gazebo is secured with pegs into holes cast with concrete.

If you decide to have a concrete base, it is best to contact a reliable contractor to make sure it is flat and level. Make sure you have checked with your local authorities regarding any required building permits.

### 5. Make sure you have the proper tools:

- Tape Measure
- Work Gloves
- Safety goggles
- Phillips Screwdriver
- Spirit Level
- 2 Small Step Ladders
- Wooden Mallet
- Scissors and knife
- Liquid soap or WD40 Lubricant

NOTE: A cordless drill with Phillips head bit is highly recommended but not essential.

## Safety Advice

- The gazebo must be positioned and fixed on a flat level surface.
- Dispose of all plastic bags safely. Keep them out of the reach of children.
- Keep children and pets away from the assembly area until the work is completed.
- Always wear shoes, gloves and safety goggles when working.
- Take special care not to touch overhead power lines with the aluminium profiles.
- Do not attempt to assemble the gazebo in windy or wet conditions.
- Do not position your gazebo in an area exposed to excessive wind.
- If using power tools or a ladder, always follow the manufacturers safety instructions.
- Hot items such as recently used grills, blowtorches etc. must not be stored in the gazebo.
- Make sure the gazebo complies with local building codes.



### **ATTENTION:**

DO NOT ATTEMPT TO ASSEMBLE THE GAZEBO ALONE!

## Table of Contents

Introduction.....	2
Table of Contents.....	3
List of Parts.....	4
<b>Step 1</b> : Assembling the Corner Profiles .....	6
<b>Step 2</b> : Assembling the Rails.....	8
<b>Step 3</b> : Assembling the Rails to the Corner Profiles .....	10
<b>Step 4</b> : Securing the Gazebo to the ground..	12
<b>Step 5</b> : Installing the Lower Roof gable Profiles	13
<b>Step 6</b> : Installing the Lower Horizontal Roof Profiles.....	16
<b>Step 7</b> : Installing the Roof Panels and Upper Roof Profiles.....	17
<b>Step 8</b> : Installing the Plastic Caps .....	23

## General Order of Assembly

- Step 1** : Assembling the Corner Profiles
- Step 2** : Assembling the Rails
- Step 3** : Assembling the Rails to the Corner Profiles
- Step 4** : Securing the Gazebo to the ground
- Step 5** : Installing the Lower Roof gable Profiles
- Step 6** : Installing the Lower Horizontal Roof Profiles
- Step 7** : Installing the Roof Panels and  
Upper Roof Profiles
- Step 8** : Installing the Plastic Caps

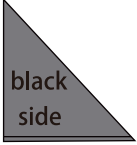

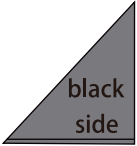



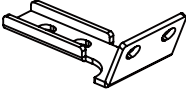

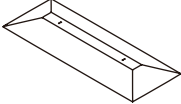

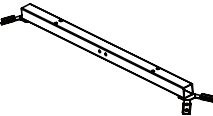

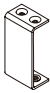

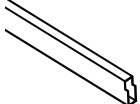
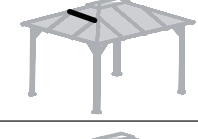
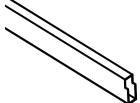
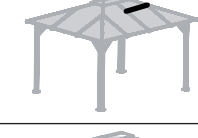
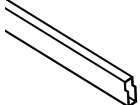
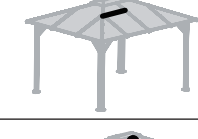

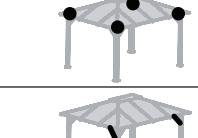

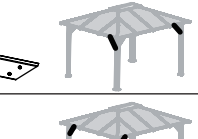
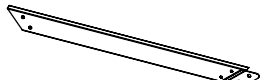
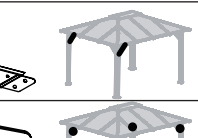


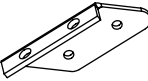


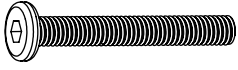
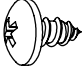
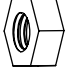
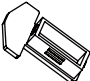
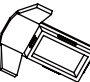

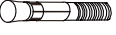





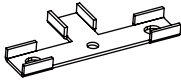
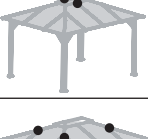

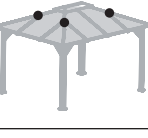

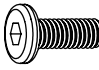
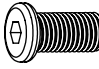

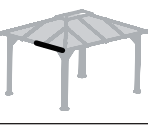

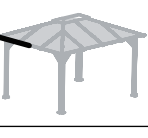
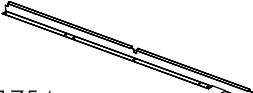
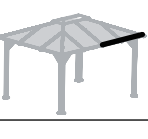




# List of Parts



The gazebo is shipped in three cartons. These cartons are heavy. Be careful when lifting them. Wear proper safety gear including work shoes, gloves and goggles. The parts are identified by removable stickers. Place all the parts for each step in staging areas, checking that you have all parts as you go. If any parts are missing or damaged, contact customer service before beginning assembly:  
 Customer Service: (877) 782 4482 Email: cs-outdoors@paragongroupusa.com

No.	Part	Qty	Step	No.	Part	Qty	Step
1	2200mm	4	1	9	4	4	4
2	4	4	1	10	4	4	4
3	1978mm	2	2	11	4	6	
4	1629mm	2	2	12	2	6	
5	1639mm	2	2	13	4	6	
6	1228mm	2	2	14	4	6	
7	14	4		15	2	8	
8	10	4		16	2	8	

No.	Part	Qty	Step
17	 	4	8
18	 	4	8
19	 	2	8
20	 	2	6
21	 	1	6
22	 	1	6
23	 	2	6
24	 	2	7
25	 	2	7
26	 	2	7
27	 	4	1
28	 	4	4
29	 	4	4
30	 	4	4
31	 	4	4
32	M6*38mm 	66	6
33	M6*45mm 	4	6
34	M4*8mm 	14	8
35	M6 	16	6
37		10	9
38		4	9
39		12	5
40	M8x70mm   	12	5
41	 	1 1	
42		1	7
43	 	2	6
44	 	4	6
45	M6*55mm 	2	6
46	M6*15mm 	164	1,2,4 6,7
47	M8*15mm 	32	3
48	 	2	4
49	 	2	4
50	 	2	4
51	 	2	4

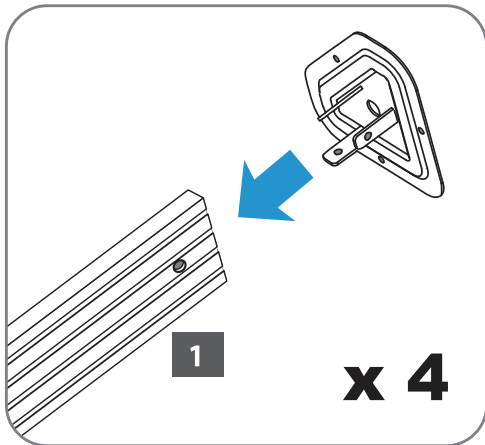
# STEP 1 Assembling the Corner Profiles



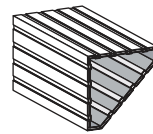
Place all the parts on a level surface.  
Make sure the pieces are in the correct positions before assembling.  
Carefully follow the order of assembly to ensure an easy installation.  
Wear proper safety gear including work shoes, gloves and goggles.

## 1.A

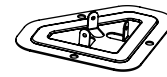
Place corner profiles (1) parallel to each other on the ground. Slide support plates (2) into corner profiles from the end with a single screw hole, as shown.



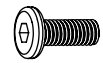
## Components



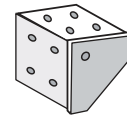
Corner profile (1)  
x 4



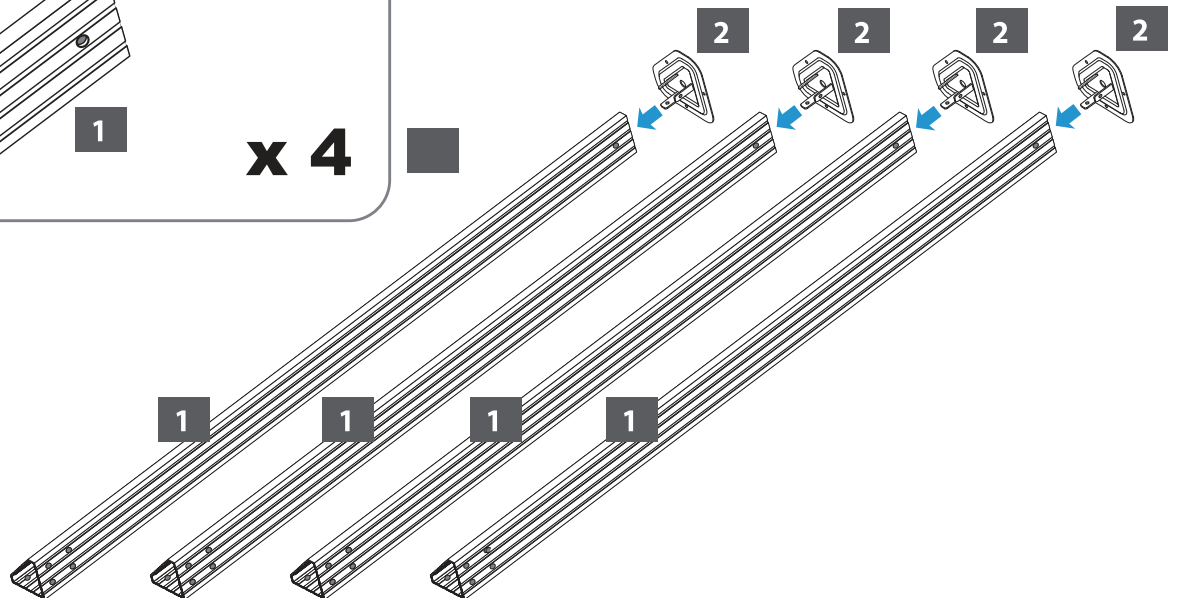
Support plate (2)  
x 4



Screw (46)  
x 12

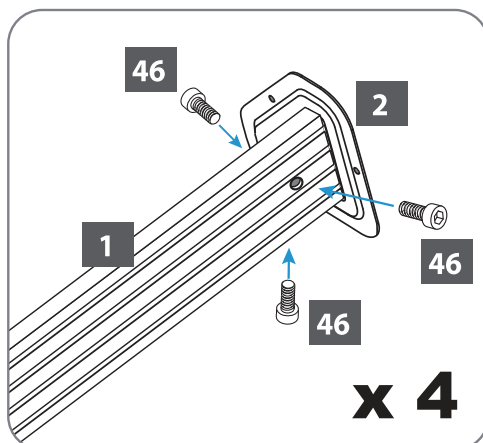


Corner profile cover (27)  
x 4



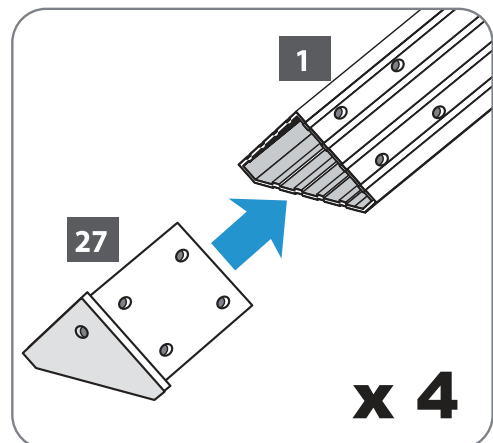
## 1.B

Fasten each plate to profile using three screws (46).

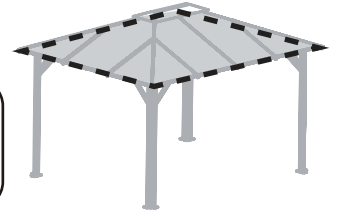


## 1.C

Insert corner profile covers (27) into top ends of corner profiles (1) as shown.



# STEP 2 Assembling the Roof Profiles

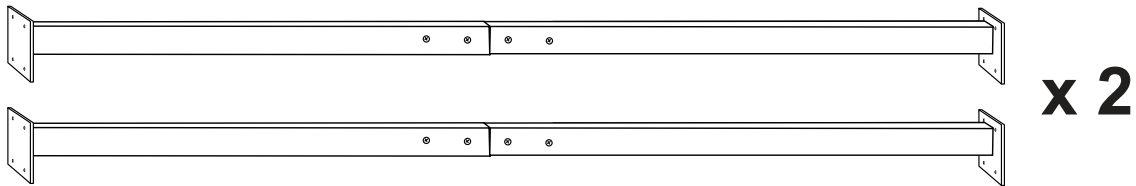
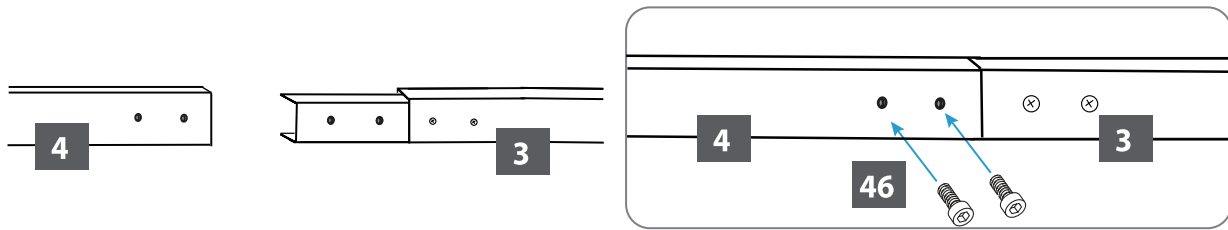
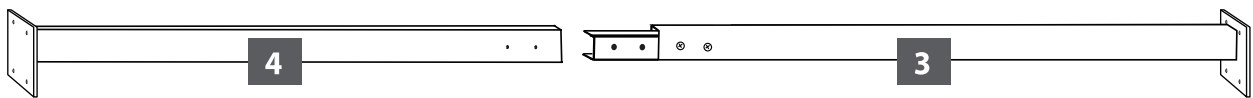
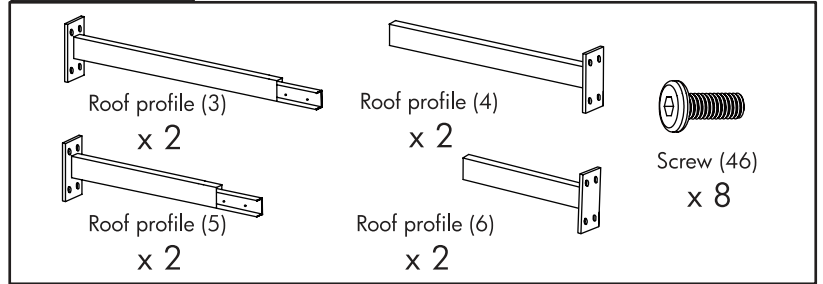


Place all the parts on a level surface. Make sure the pieces are in the correct positions before assembling. Carefully follow the order of assembly to ensure an easy installation. Wear proper safety gear including work shoes, gloves and goggles.

## 2.A

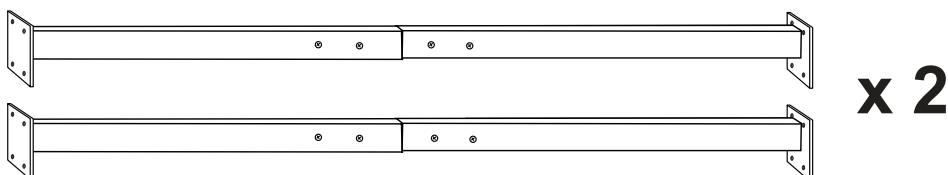
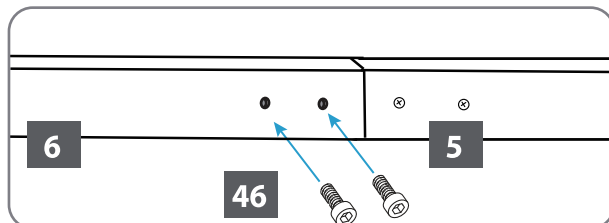
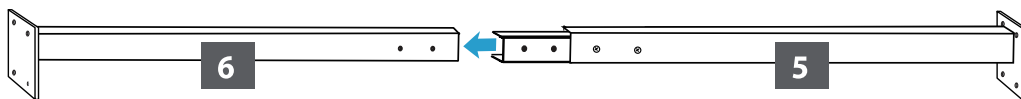
Insert end of long roof profile (3) into long roof profile (4) as shown. Fasten with screws (46). Repeat to make two sets.

### Components

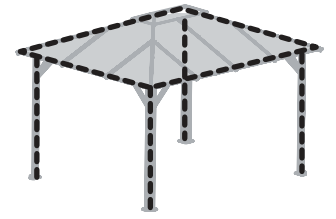


## 2.B

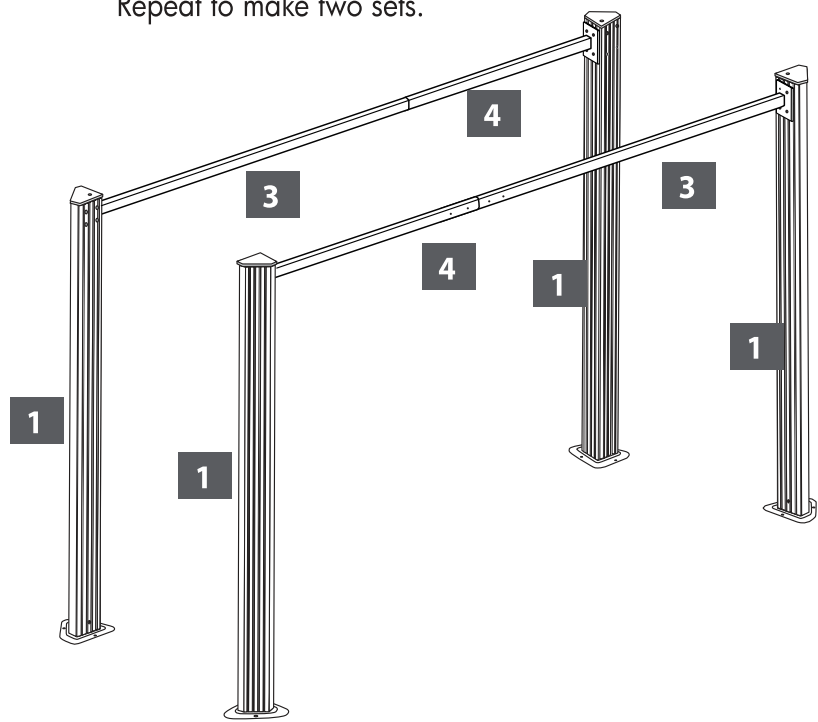
Insert end of short roof profile (5) into short roof profile (6) as shown. Fasten with screws (46). Repeat to make two sets.



# STEP 3 Attaching Roof Profiles to Corner Profiles

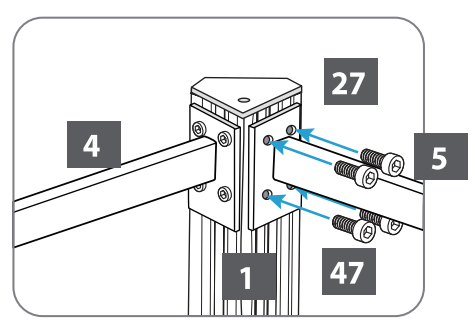
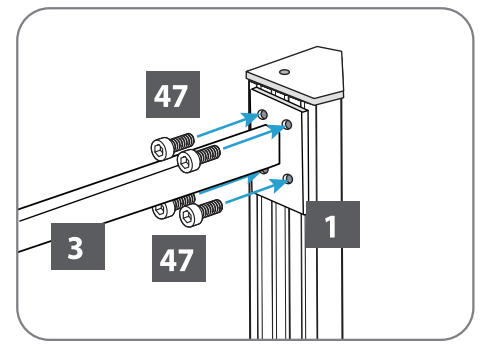


**3.A** Attach long roof profile sets (3,4) to corner profiles (1) as shown. Fasten with screws (47). Repeat to make two sets.

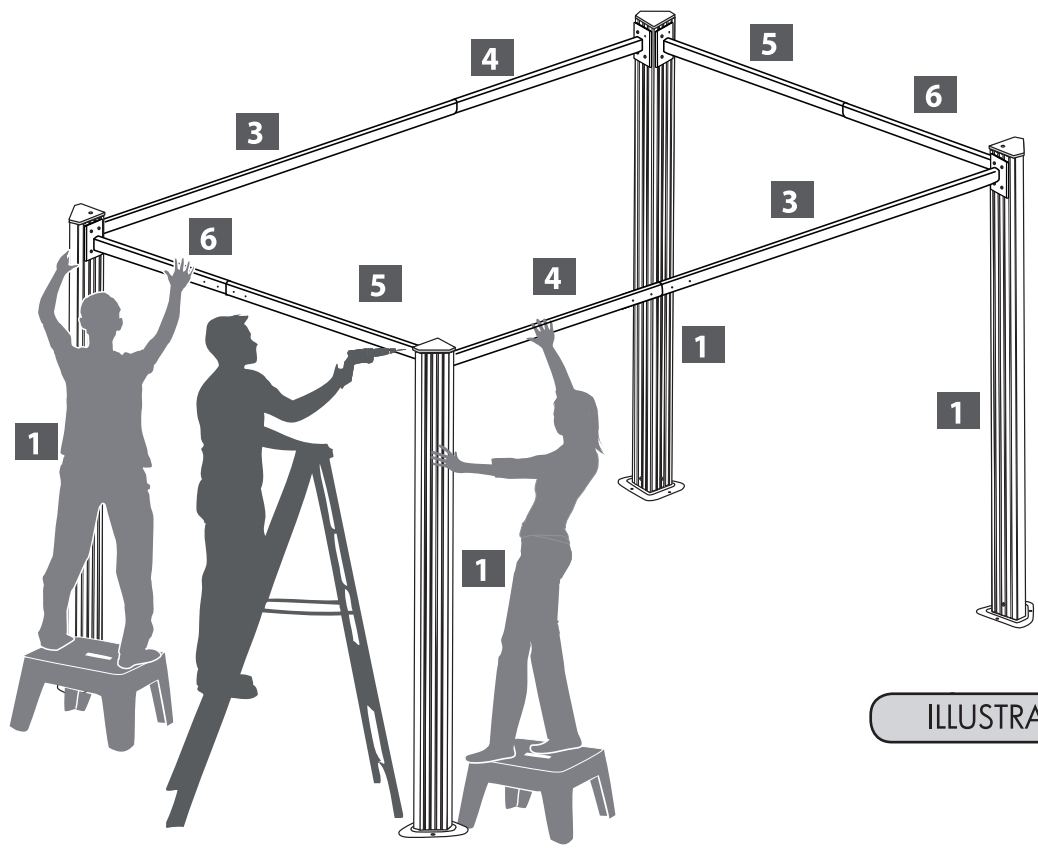


Components

Screw (47)  
x 32



**3.B** Attach short roof profile sets (5,6) to corner profiles (1) as shown. Fasten with screws (47).



ILLUSTRATION



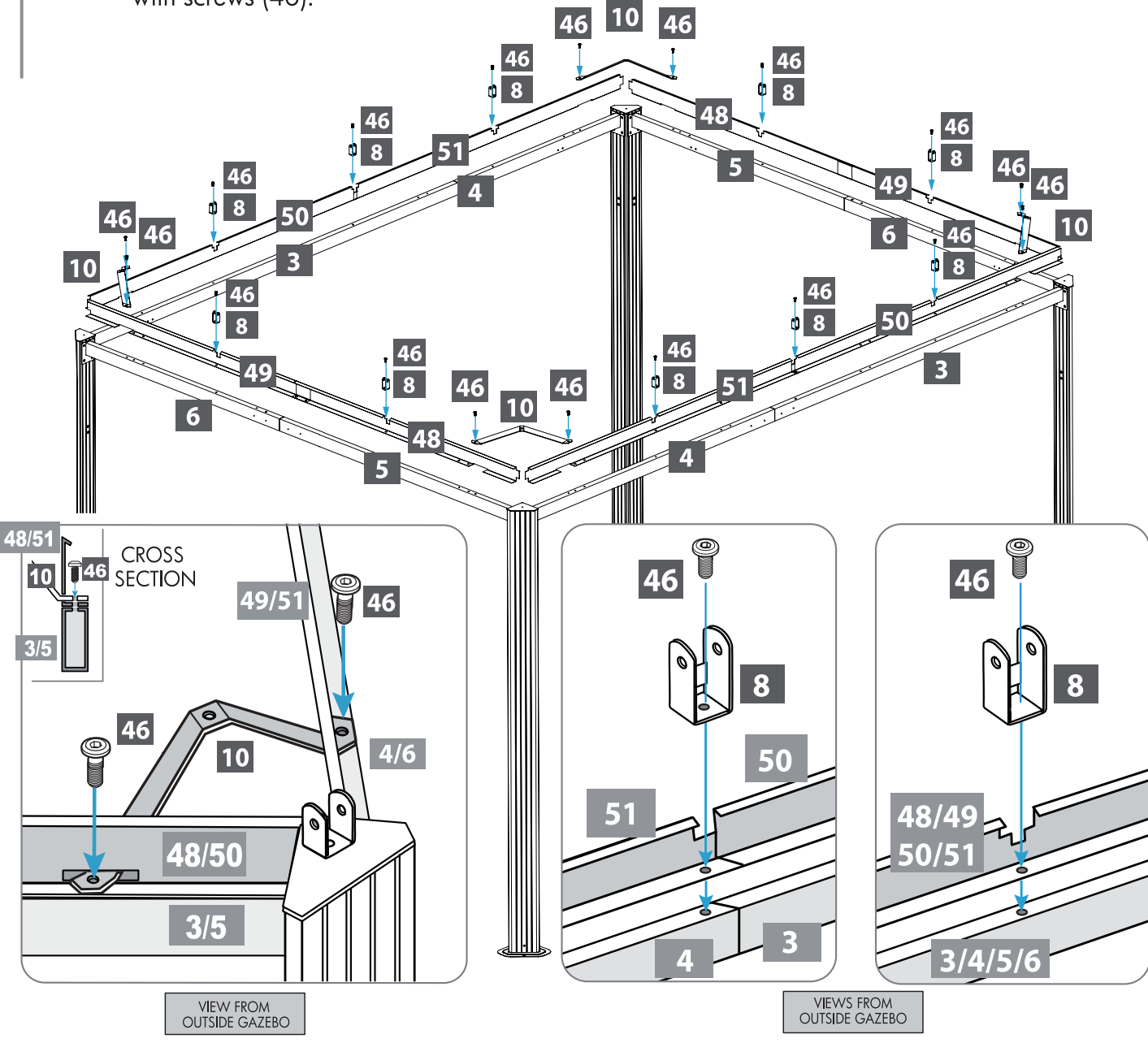
# STEP 4 Attaching the Upper Roof Profiles and Roof Connectors to Roof and Corner Profiles



**Components**

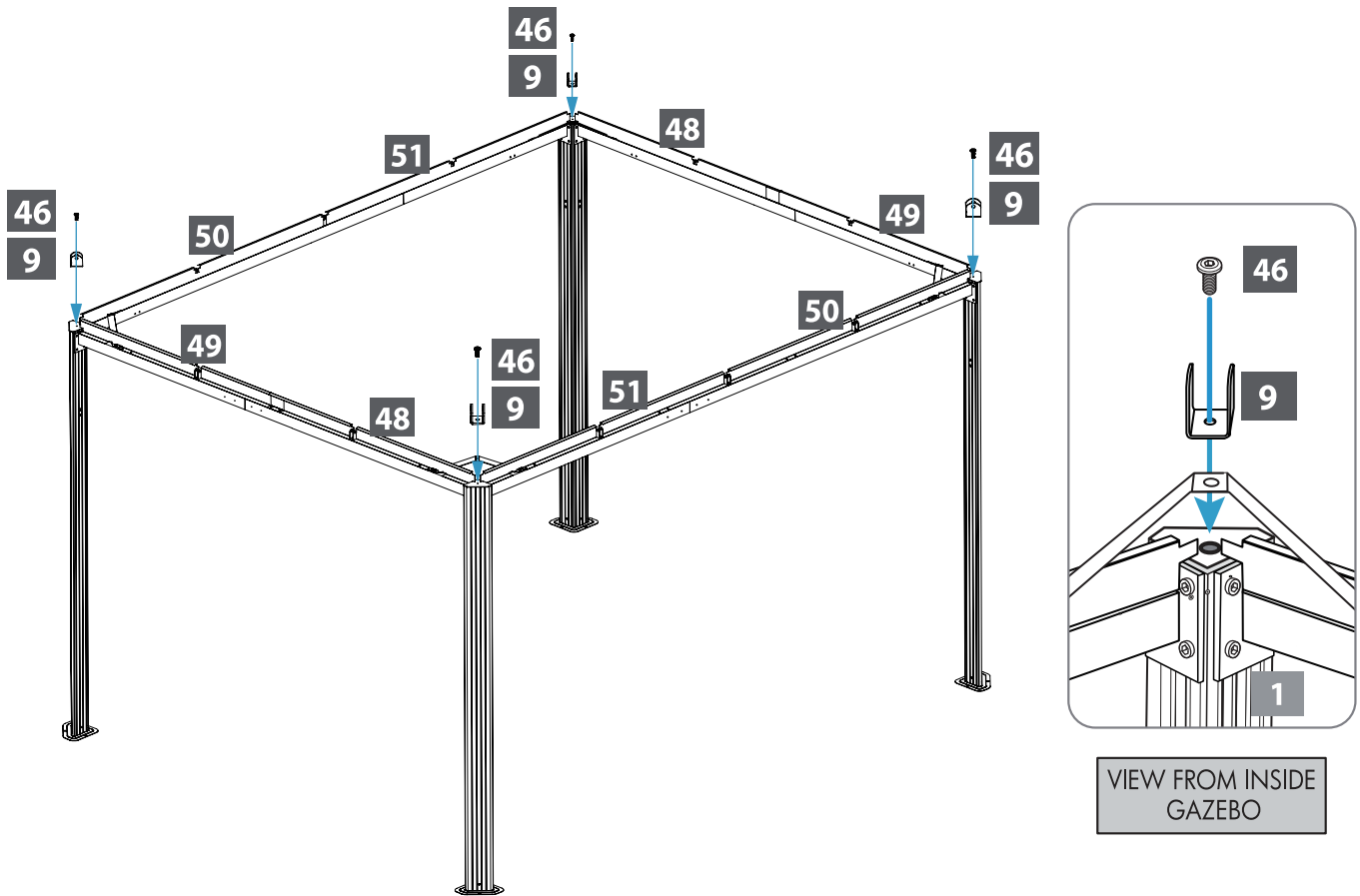
Upper roof profile (48) x 2	Upper roof profile (49) x 2	Upper roof profile (50) x 2	Upper roof profile (51) x 2	Screw (46) x 98	U connector (8) x 10
U connector (9) x 4	Roof connector (7) x 14	Roof corner connector (10) x 4	Support connector (30) x 4	Support connector (31) x 4	Support bar (28) x 4
					Support bar (29) x 4

**4.A** Attach upper roof profiles (48,49,50,51) to roof profiles (3,4,5,6) as shown. Overlap profiles in middle of each gazebo side to form one single screw hole. Fasten with screws (46), attaching U connectors (8) at same time, as shown. Slide ends of parts (10) through slits in profiles (48,49,50,51) from inside gazebo and fasten with screws (46).



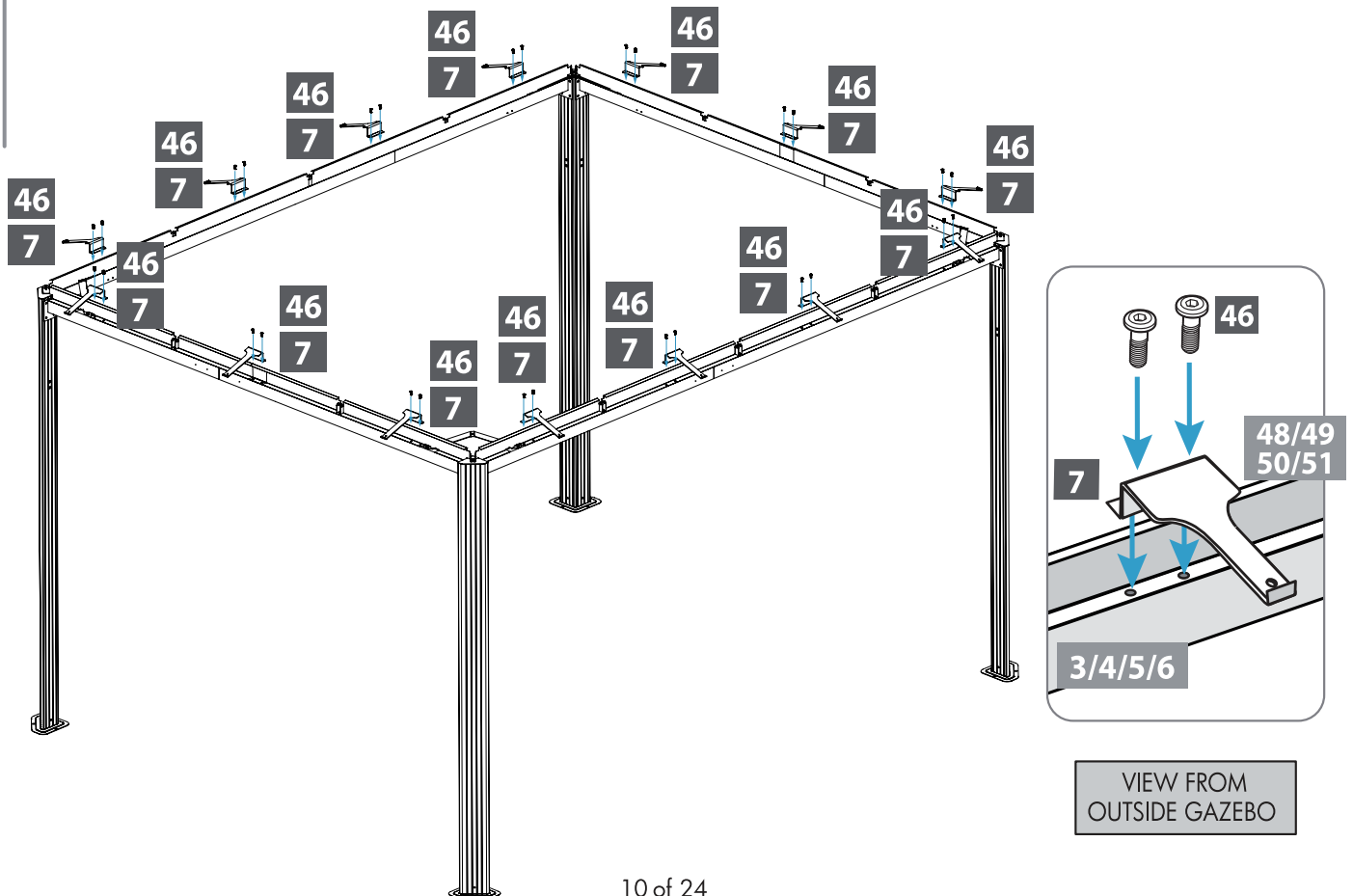
### 4.B

Attach U connectors (9) to top of corner posts (1), as shown, using screws (46).



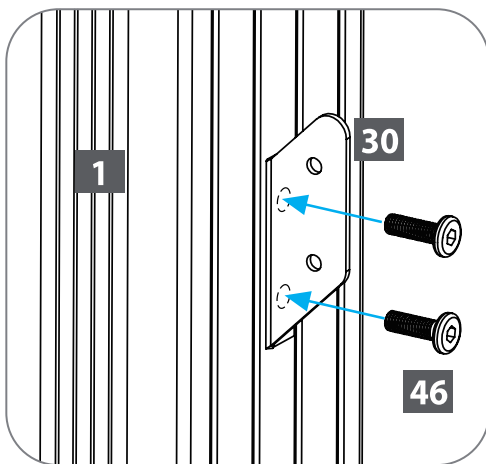
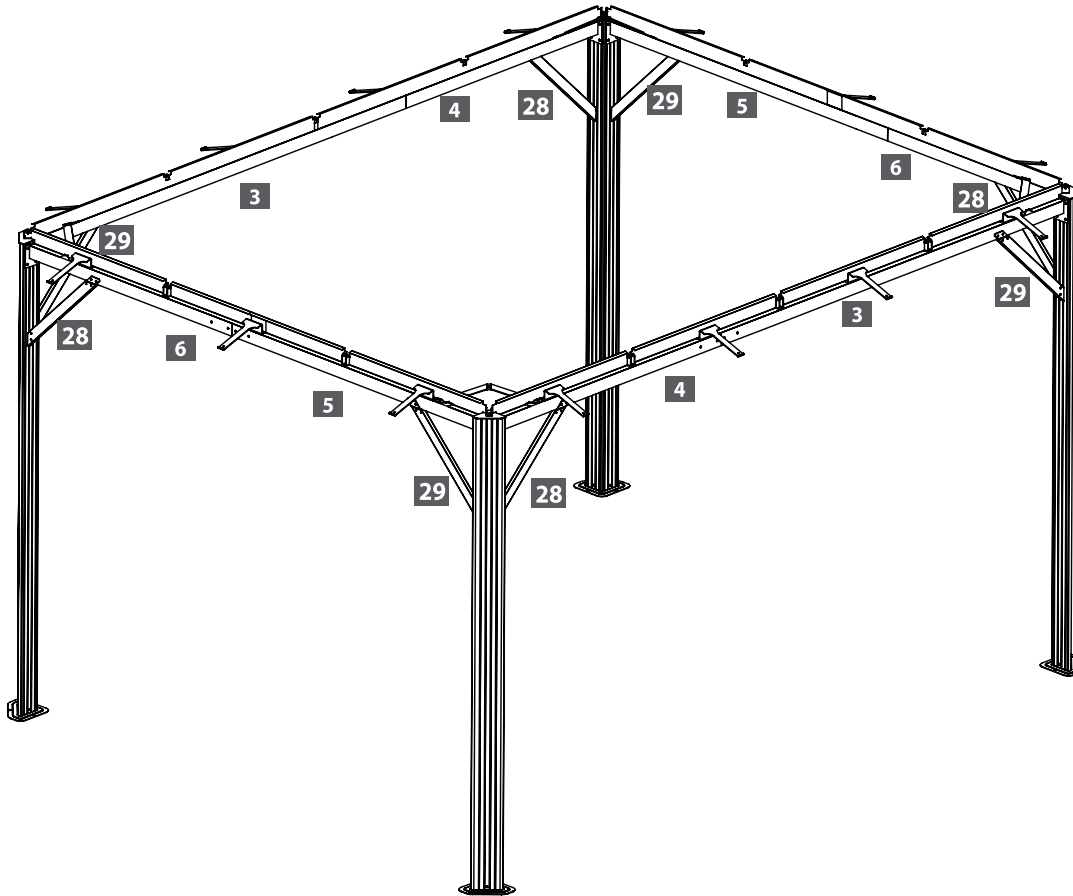
### 4.C

Attach two roof connectors (7) to each upper roof profile set (48,49) and (50,51) as shown (facing outwards). Fasten with two screws (46) each.

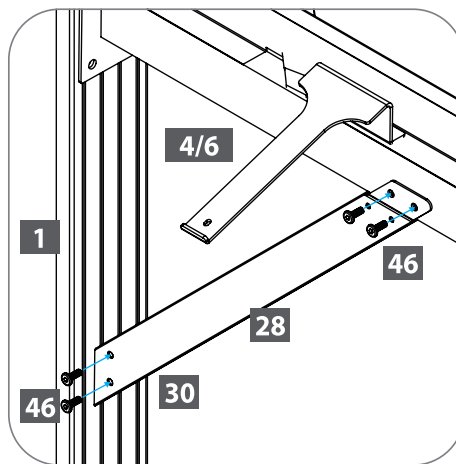


#### 4.D

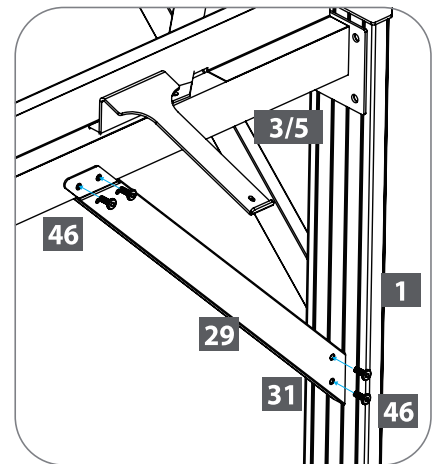
Attach one support connector (30) and one support connector (31) to each corner post (1) at pre-drilled screw holes, using two screws (46) each. Slide support bars (28) onto support connectors (30) and fasten with two screws (46). Attach upper end of support bars (28) to roof profiles (4,6), fasten with two screws (46). Slide support bars (29) onto support connectors (31) and fasten with two screws (46). Attach upper end of support bars (29) to roof profiles (3,5), fasten with two screws (46).



VIEW FROM OUTSIDE  
GAZEBO



VIEW FROM OUTSIDE  
GAZEBO

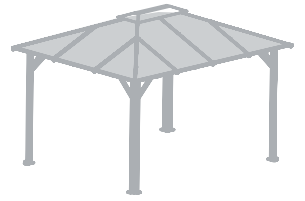


VIEW FROM OUTSIDE  
GAZEBO



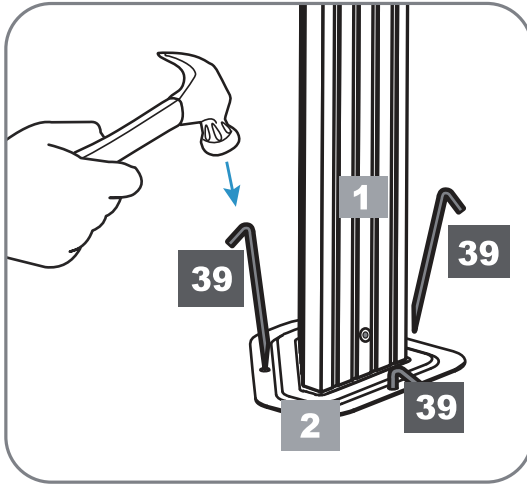
**IMPORTANT :** After this step you should place the gazebo frame in its desired location. Make sure all corners are squared at 90 degrees.

# STEP 5 Securing the Gazebo to the Ground



## 5.A

Fasten the gazebo frame to the ground, using three spikes (39) for each support plate.



### Components



Ground spike (39)  
x 12

## Optional Securing the Gazebo to a Concrete Floor or Wood Deck

### Concrete Floor:

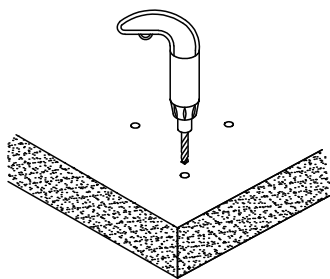
1. Using an electric concrete drill, drill holes into the concrete floor, corresponding to the holes in the support plates.
2. Insert concrete screws (40) into the holes and hammer into place, using a mallet.
3. Fasten concrete screws with washers and nuts.

### Components

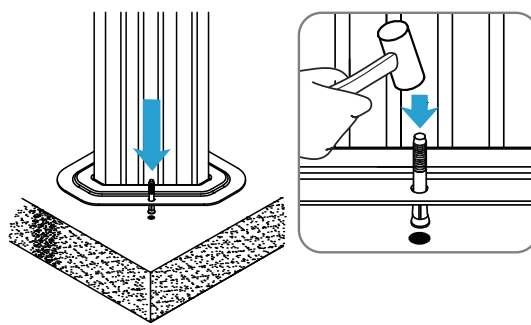


Concrete screws, washers and nuts (40)  
x 12

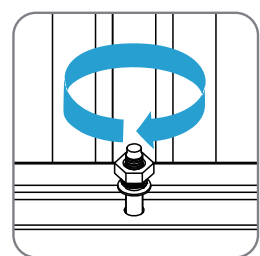
1.



2.



3.



### Wood Deck:

1. Using an electric wood drill, drill holes into the wood floor, corresponding to the holes in the support plates.
2. Insert wood screws with washers (not supplied) into the holes and fasten, using an electric screw driver.

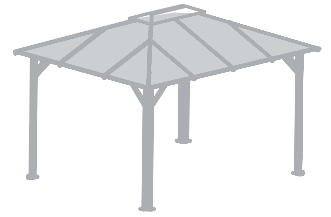


Wood Screws, washers x 12  
**NOT SUPPLIED**  
to be purchased by user

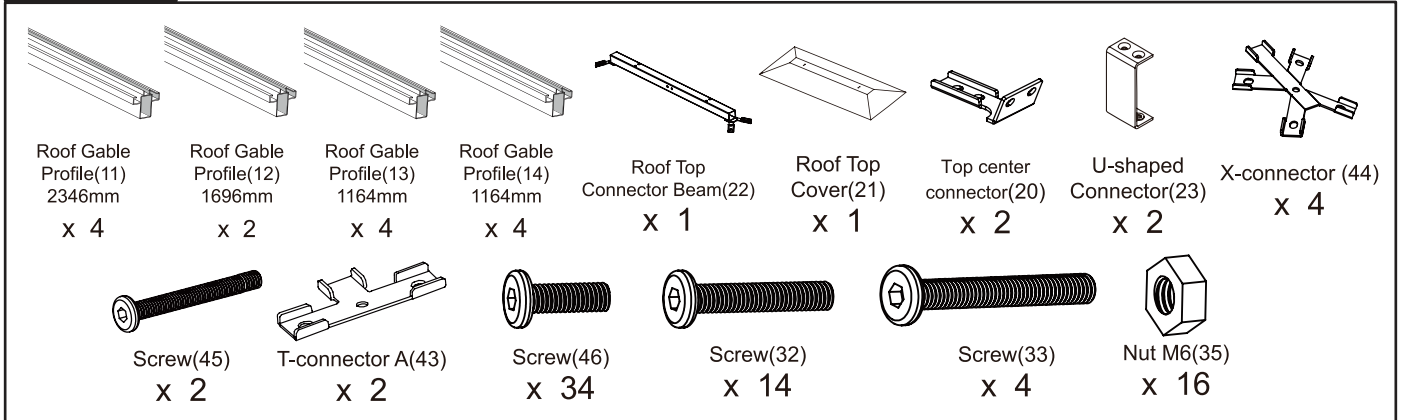
# STEP 6 Installing the Low Roof Gable Profiles



**ATTENTION:**  
DO NOT ATTEMPT TO ASSEMBLE THIS ALONE !



## Components

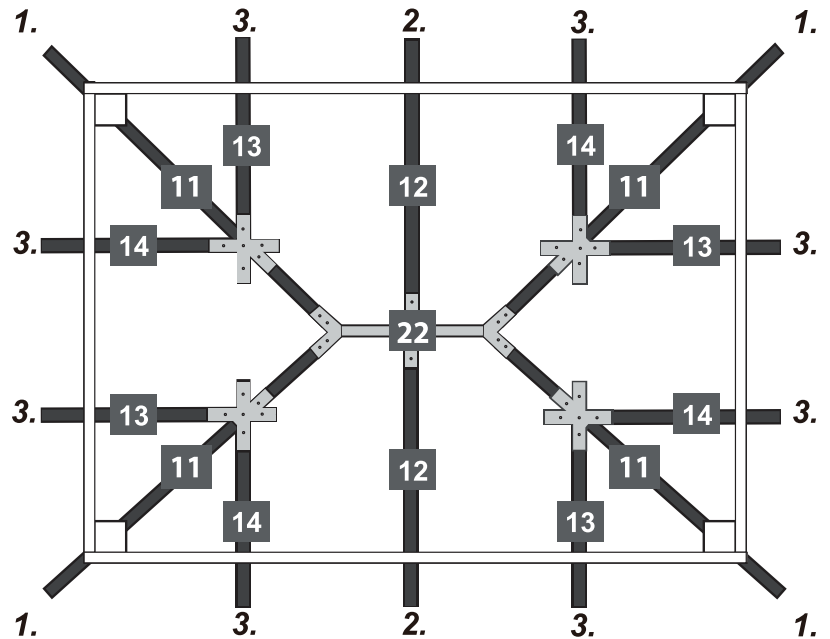


Using at least three people, install the roof gables (11,12,13,14) in the following order :

VIEW FROM BELOW  
(from inside gazebo)



**ATTENTION:**  
Roof Profiles, roof panels and gables must be aligned properly during assembly to minimize any possibility of leaking.



**IMPORTANT:** Make sure that the roof gable profiles (11,12,13,14) are installed exactly as shown so that the pre-drilled screw holes will align properly with screw holes on the roof panels.

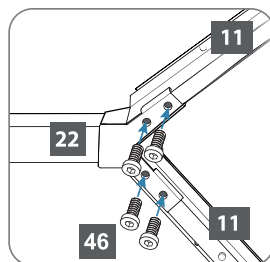
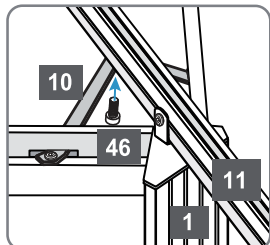
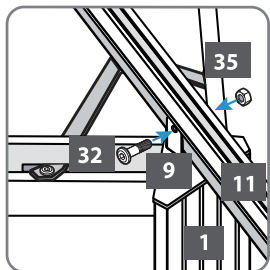
## BOTTOM VIEW OF PROFILES

← Upper end

→ Lower end



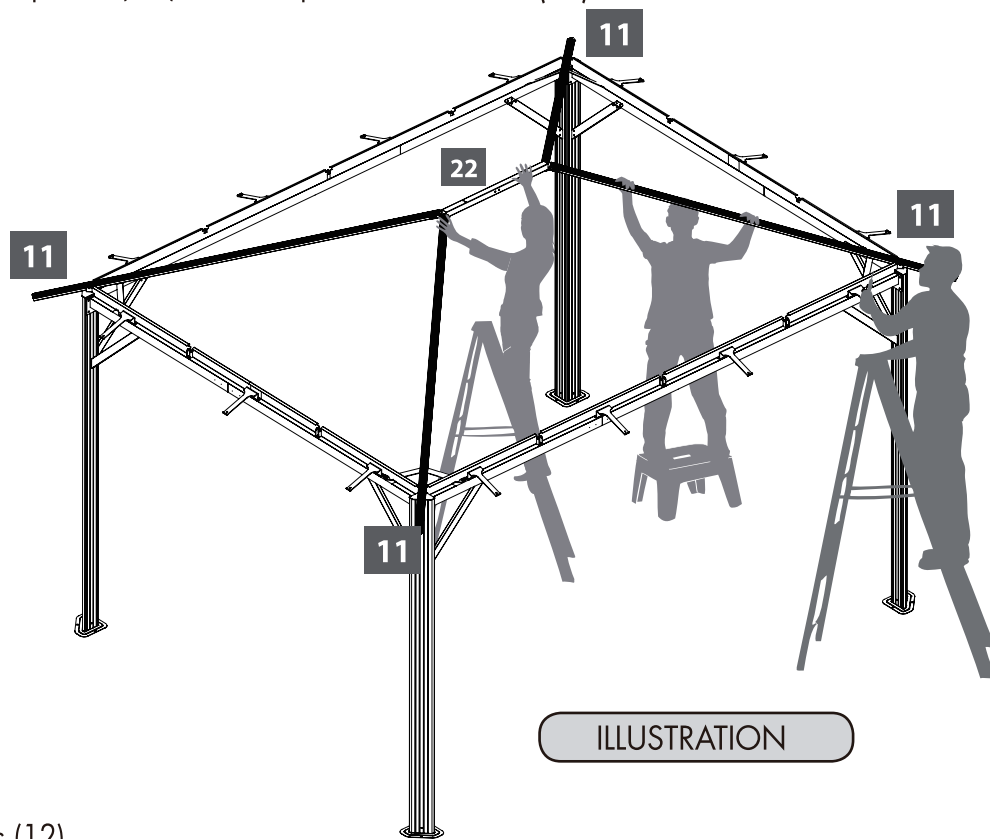
### 6.A



VIEW FROM BELOW

Using screws (32) and nuts (35), connect roof gable profiles (11) to roof connectors (9) on top of corner profiles (1).

Using screws (46), connect roof gable profile (11) to roof top connector beam (22) as shown.



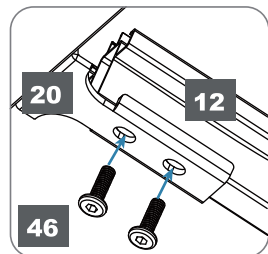
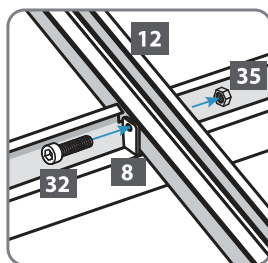
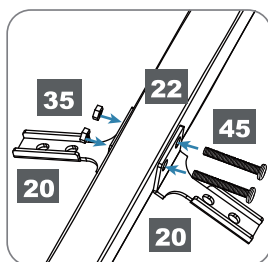
ILLUSTRATION

### 6.B

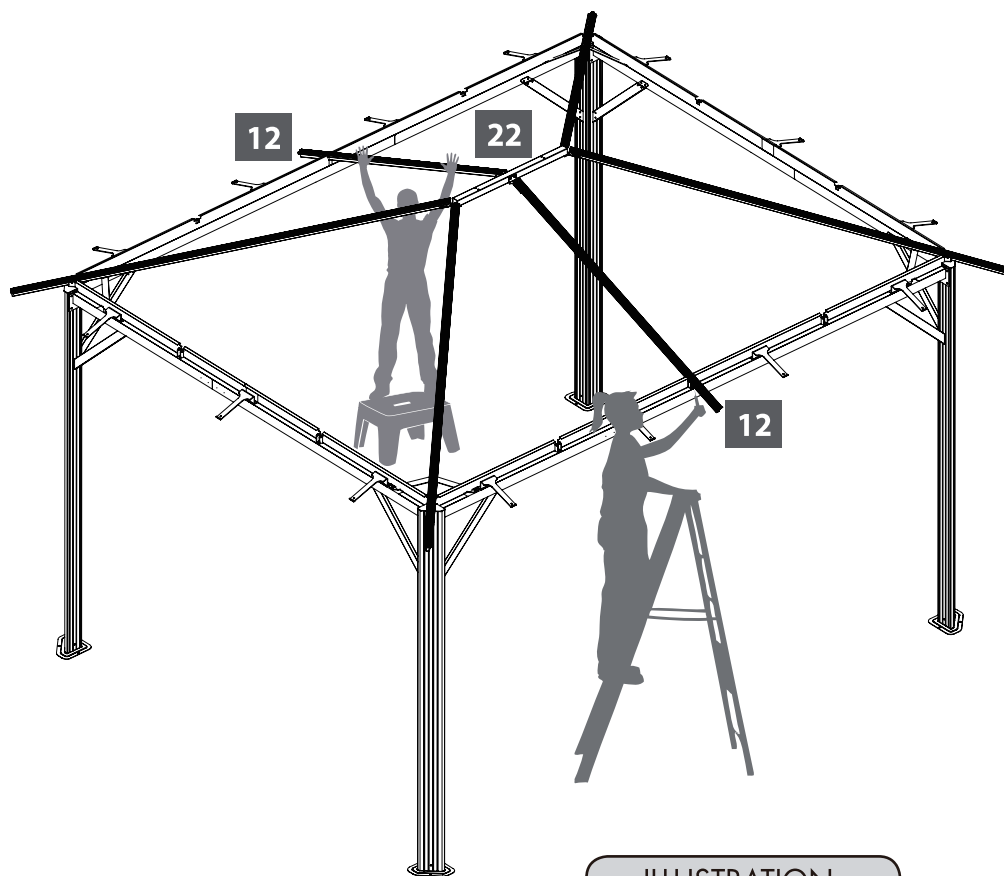
Install roof gable profiles (12).

Using screws (45) nuts (35) connect top center connector (20) to top connector beam (22).

Using screws (32) nuts (35) connect profiles (12) to inner roof connector (8) on long roof profiles sets (3,4) and the other end to roof top center connector (20).



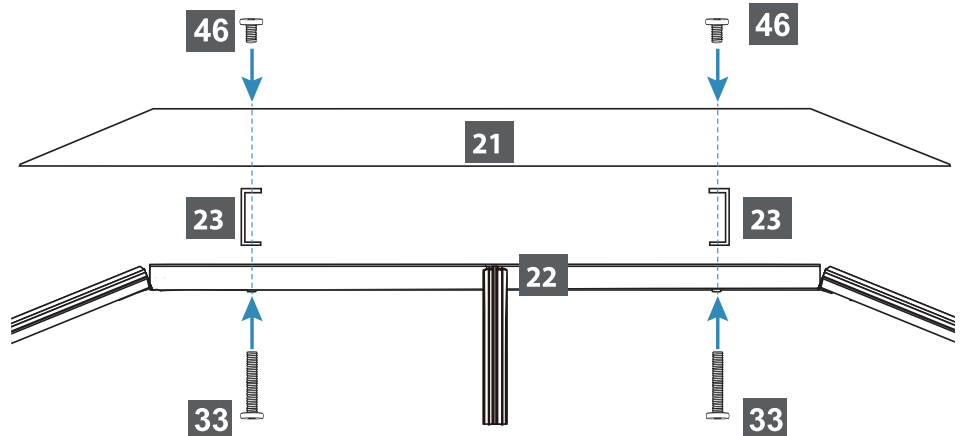
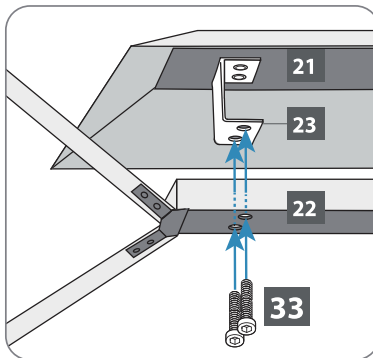
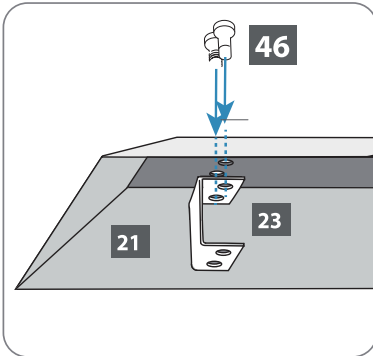
VIEWS FROM BELOW



ILLUSTRATION

### 6.C

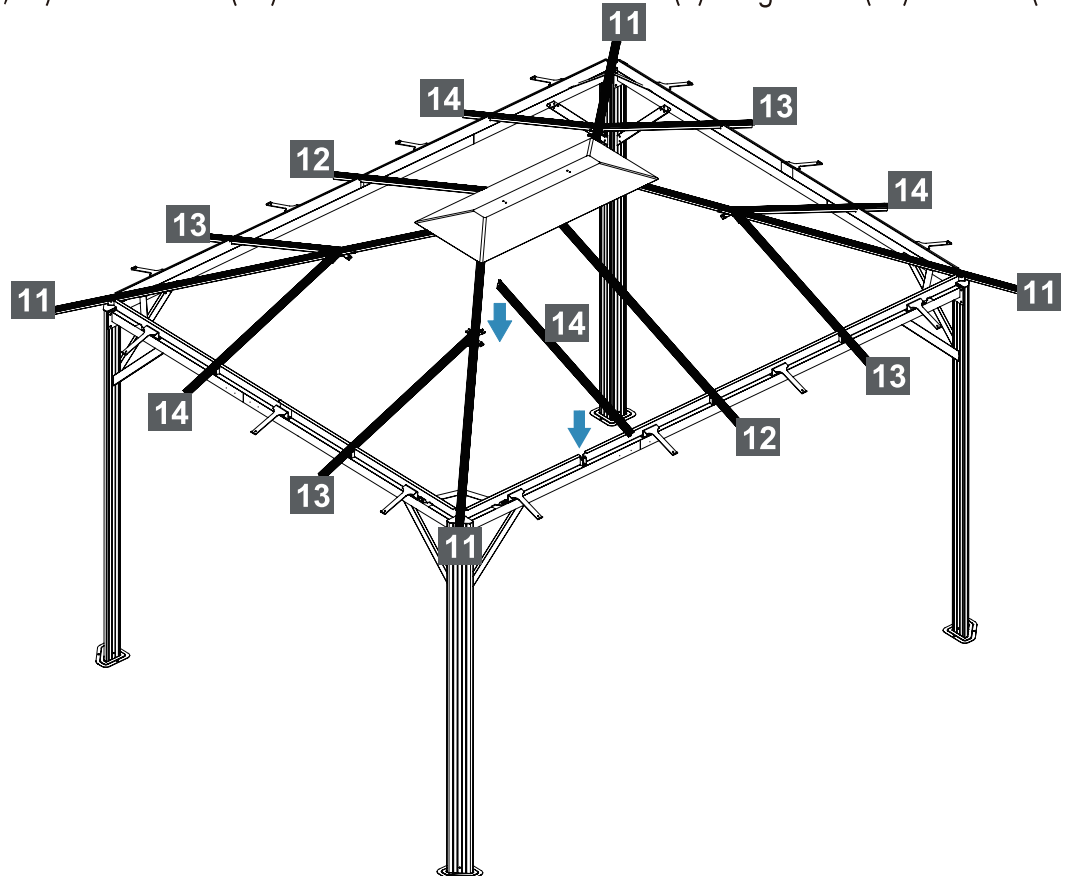
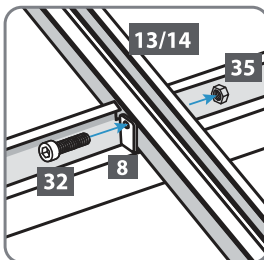
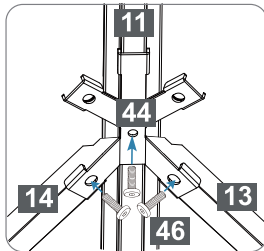
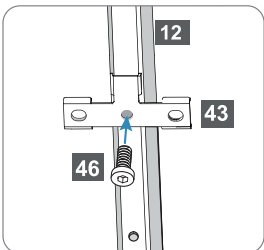
Connect the roof top cover (21) to the roof top connector beam (22) as shown. First connect the two U-shaped connectors (23) to the roof top cover (21), using four screws (46). Then attach U-shaped connectors (23) to roof top connector beam (22) from below, using four screws (33).



VIEWS FROM BELOW

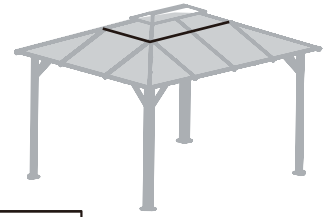
### 6.D

Attach T-connectors (43) to underside of roof gable profiles (12), using screws (46) as shown. Attach X-connectors (44) to underside of roof gable profiles (11), using screws (46) as shown. Connect profile (13, 14) to X-connector (44) and the other end to U-connector (8) using screws (32) and nuts (35).

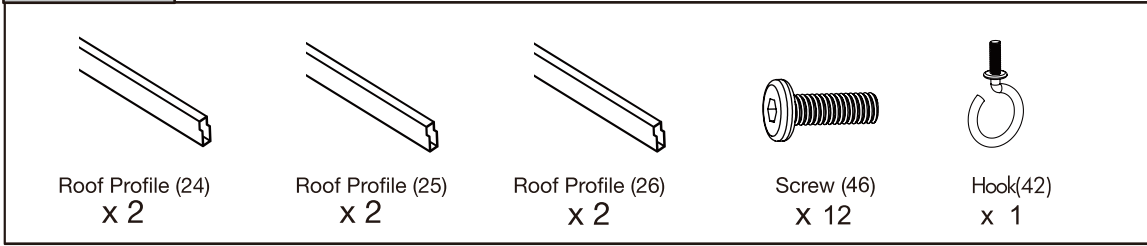


VIEWS FROM BELOW

# STEP 7 Installing the Lower Horizontal Roof Profiles



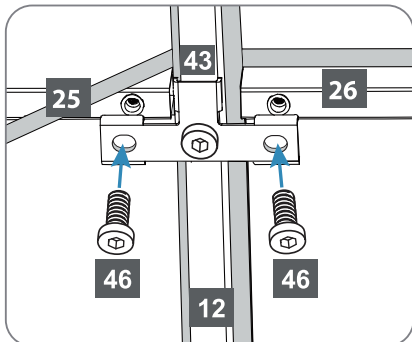
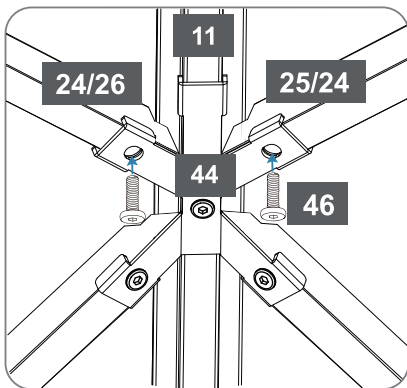
## Components



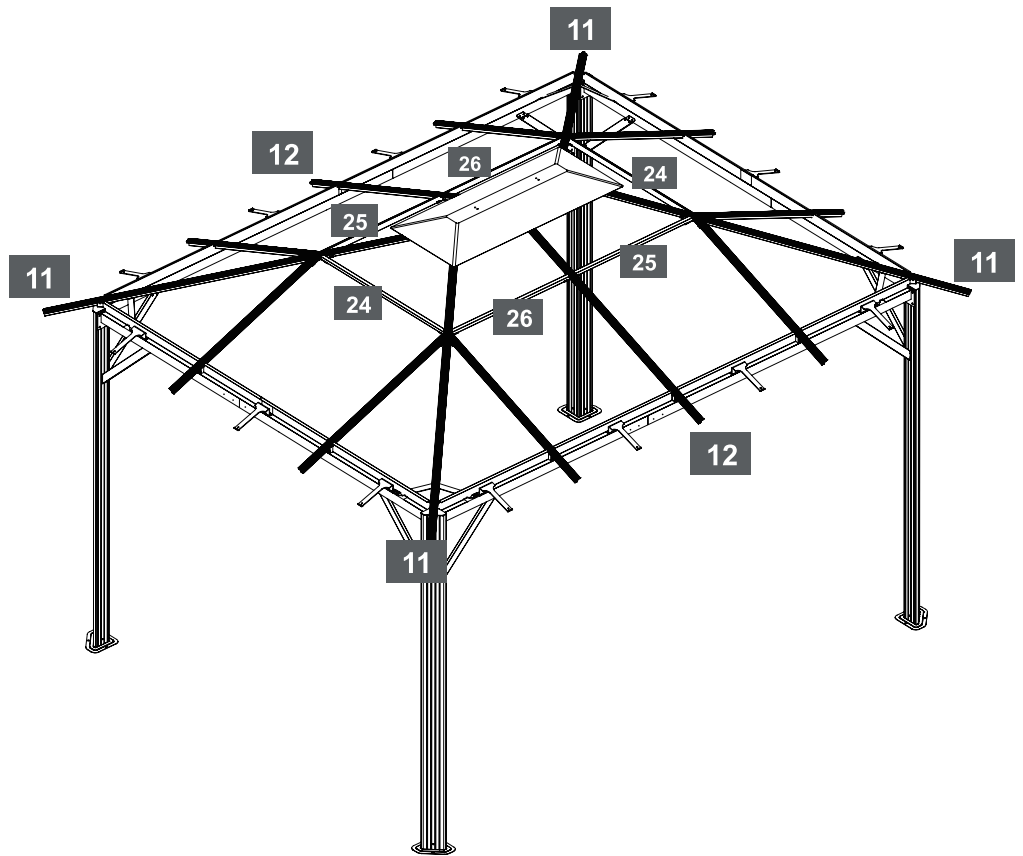
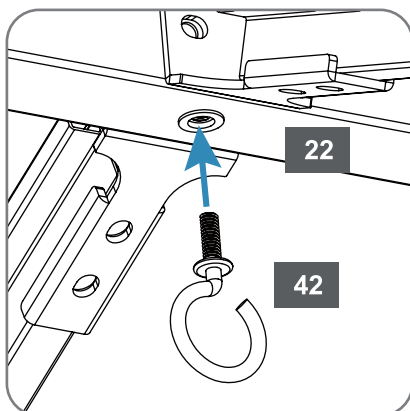
### 7.A

Attach roof gable profiles (24,25,26) to T-connectors (43) and X-connector (44), placing ends into cut-outs on gutter profiles 11,12 as shown.

Attach hook (42) from underneath of roof top connector beam (22) as shown.



VIEWS FROM BELOW





# STEP 8 Installing the Roof Panels and Upper Roof Profiles

**IMPORTANT:** Gently cut on the edge of the panels on both side with knife and remove protective plastic of roof panels. Place with black surface toward the sun facing out when installing.



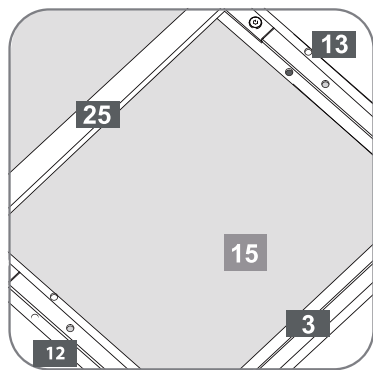
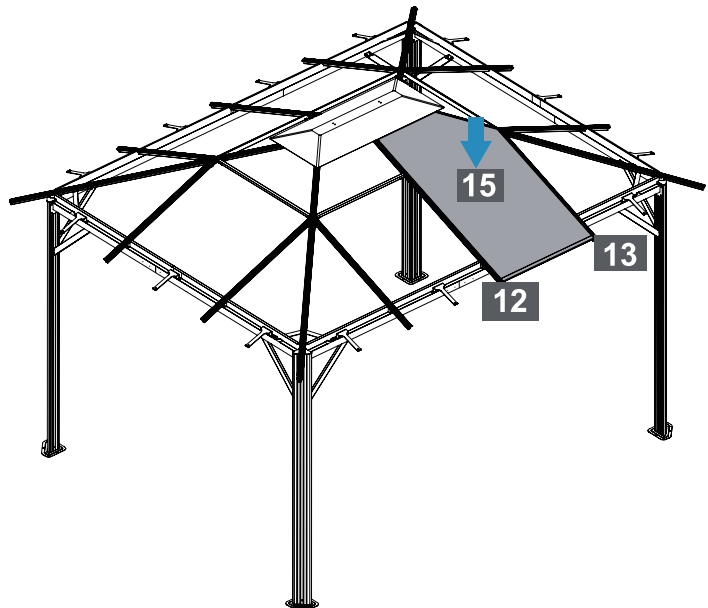
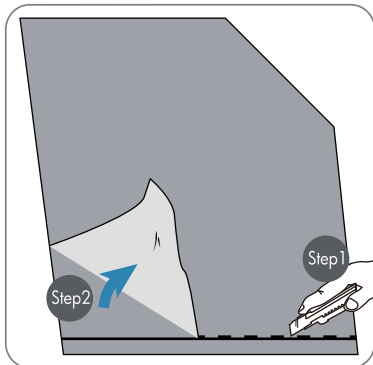
## Components

Aluminium Composite Roof Panel(15)	Aluminium Composite Roof Panel(16)	Aluminium Composite Roof Panel(17)	Aluminium Composite Roof Panel(18)	Aluminium Composite Roof Panel(19)	Screw(34)
x 2	x 2	x 4	x 4	x 2	x 14

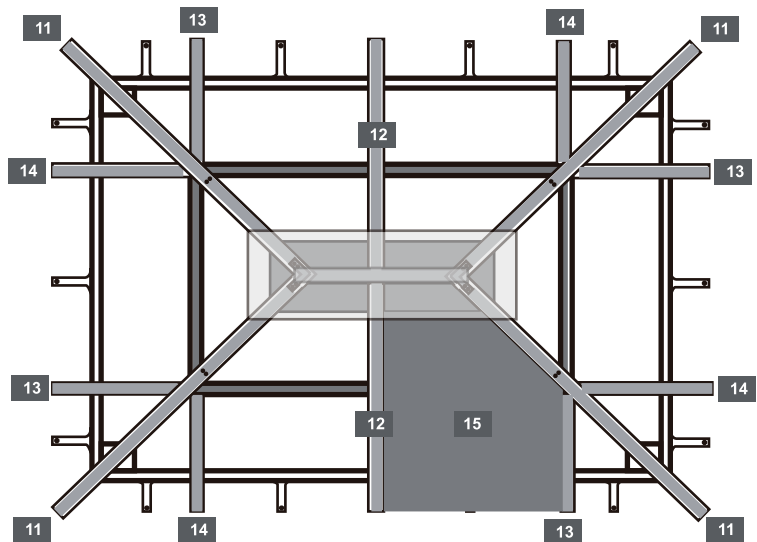
## 8.A

Fit roof panel (15) on top of roof profiles (12 and 13).

**IMPORTANT:** Gently cut the film in order to avoid breaking on the panel.



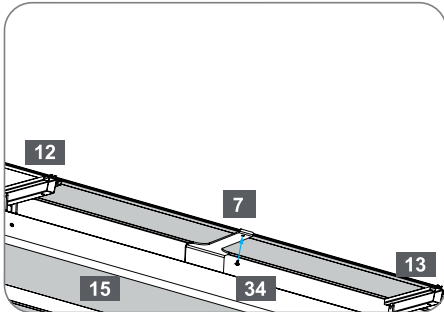
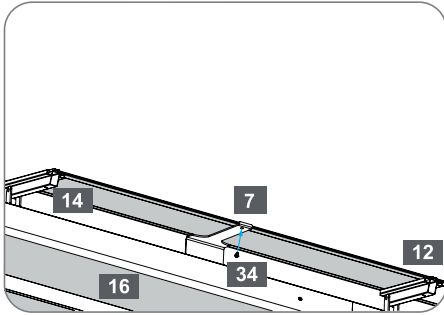
VIEW FROM BELOW



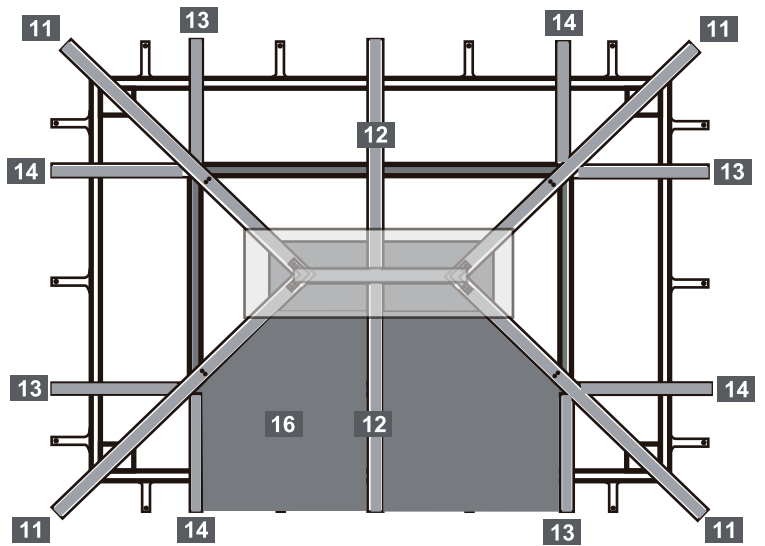
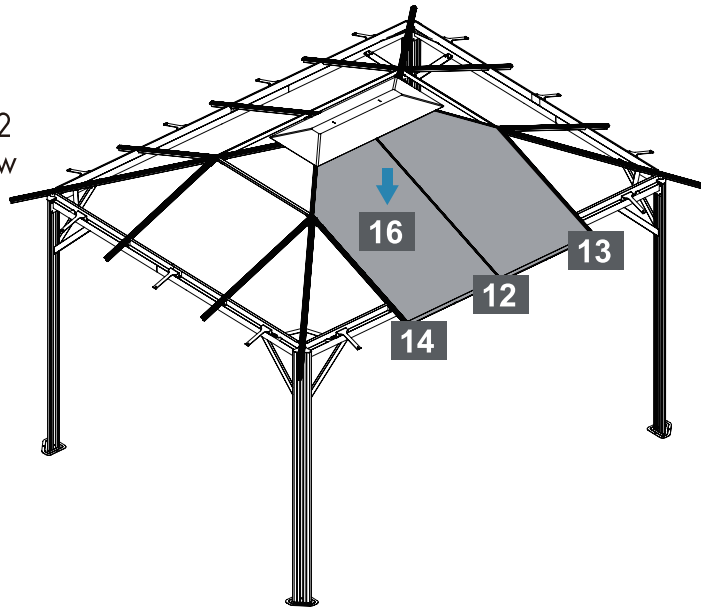
VIEW FROM TOP

## 8.B

Fit roof panel (16) on top of roof profiles (12 and 14) as shown and fasten with one screw (34) outer roof connector (7).



VIEW FROM BELOW

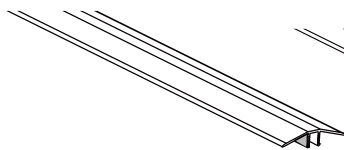


VIEW FROM TOP

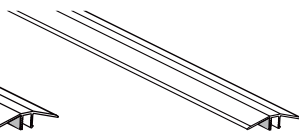


**IMPORTANT:** Make sure that the roof panels are installed exactly in the order shown, otherwise it will be difficult to place the top roof gable profiles.

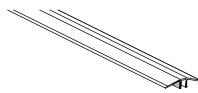
### Components



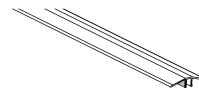
Roof Gable Profile  
(11A)  
x 4



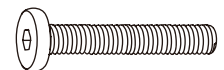
Roof Gable Profile  
(12A)  
x 2



Roof Gable Profile  
(13A)  
x 4



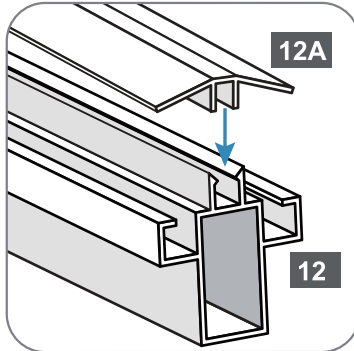
Roof Gable Profile  
(14A)  
x 4



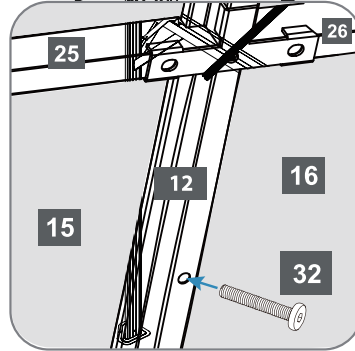
Screw(32)  
x 52

### 8.C

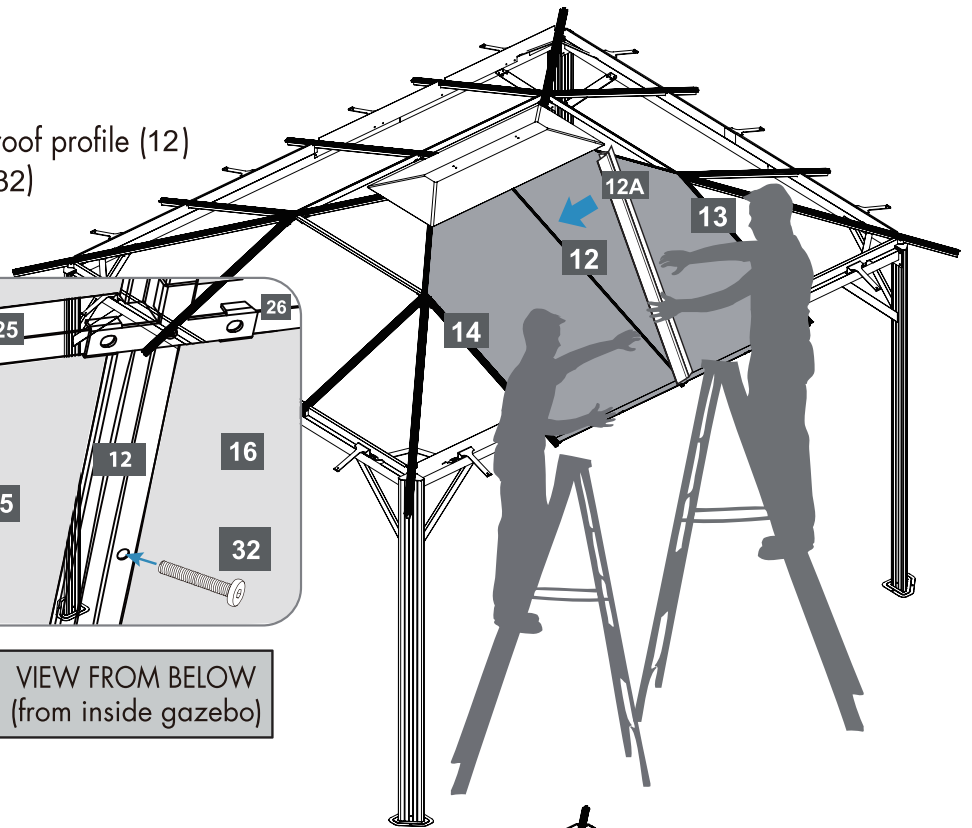
Place roof profile (12A) on top of roof profile (12) as shown and fasten with screws (32) from below (inside gazebo).



Connecting the upper and lower profiles

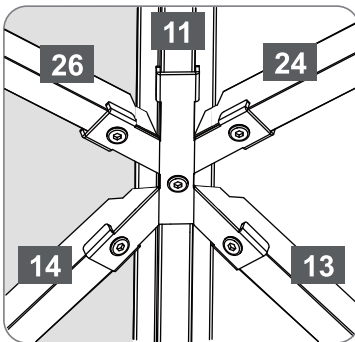


VIEW FROM BELOW (from inside gazebo)

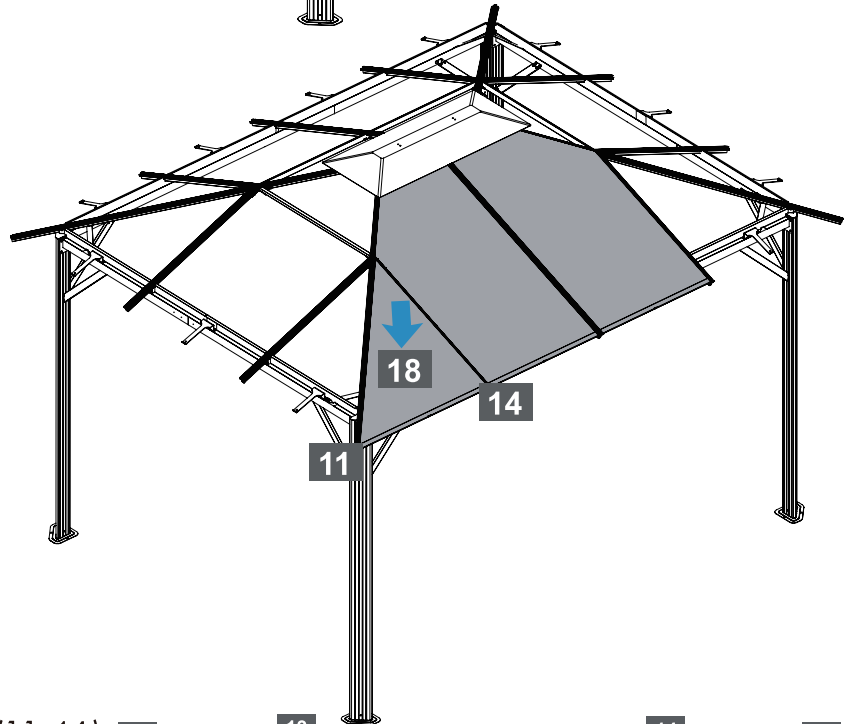


### 8.D

Fit roof panel (18) on top of roof profiles (11, 14) as shown

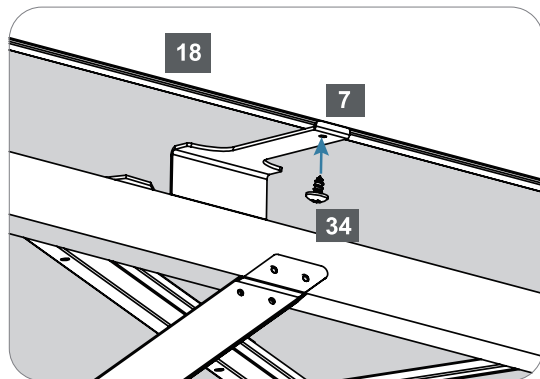


VIEW FROM BELOW

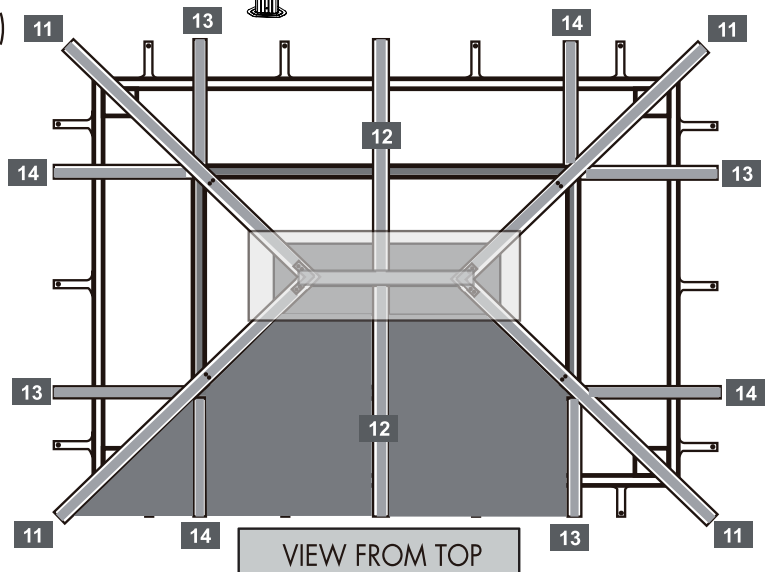


### 8.E

Fit roof panel (18) on top of roof profiles (11, 14) as shown and fasten with one screw (34) outer roof connector (7).



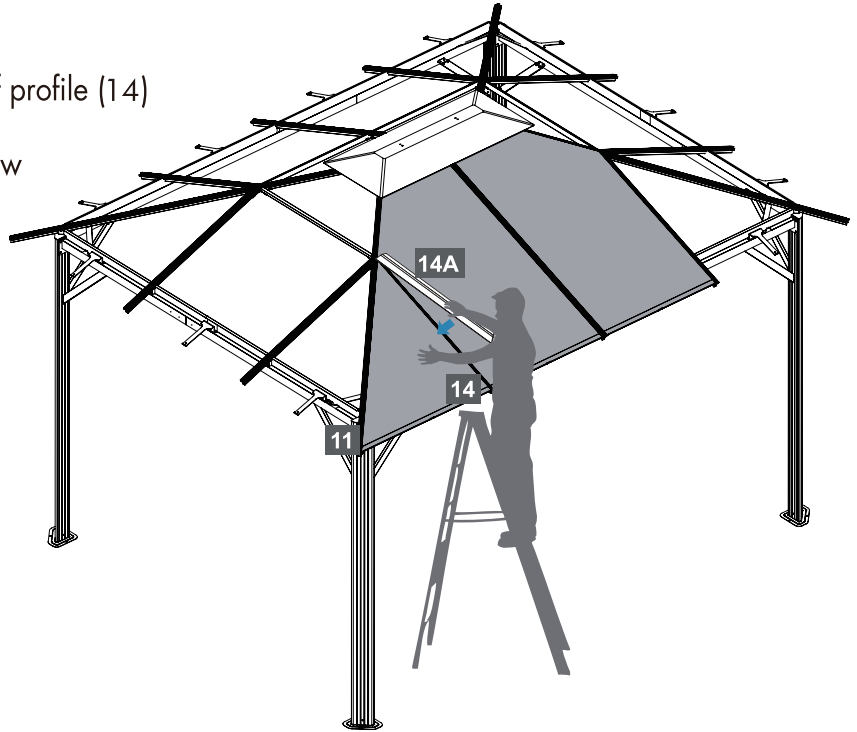
VIEW FROM BELOW



VIEW FROM TOP

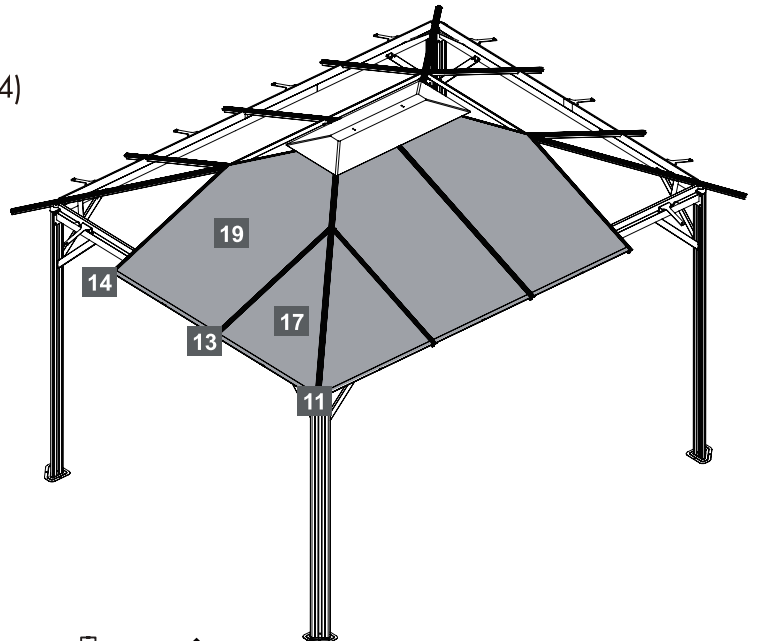
## 8.F

Place roof profile (14A) on top of roof profile (14) as shown. Align both profiles. Fasten with two screws (32) from below (inside gazebo).



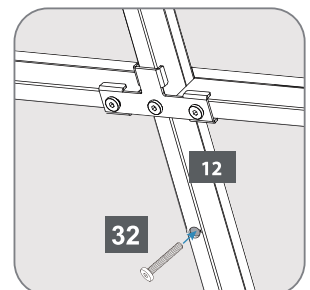
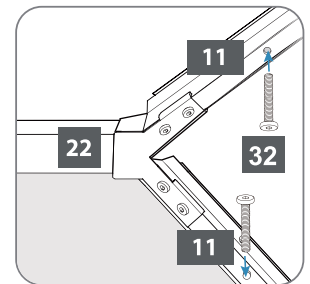
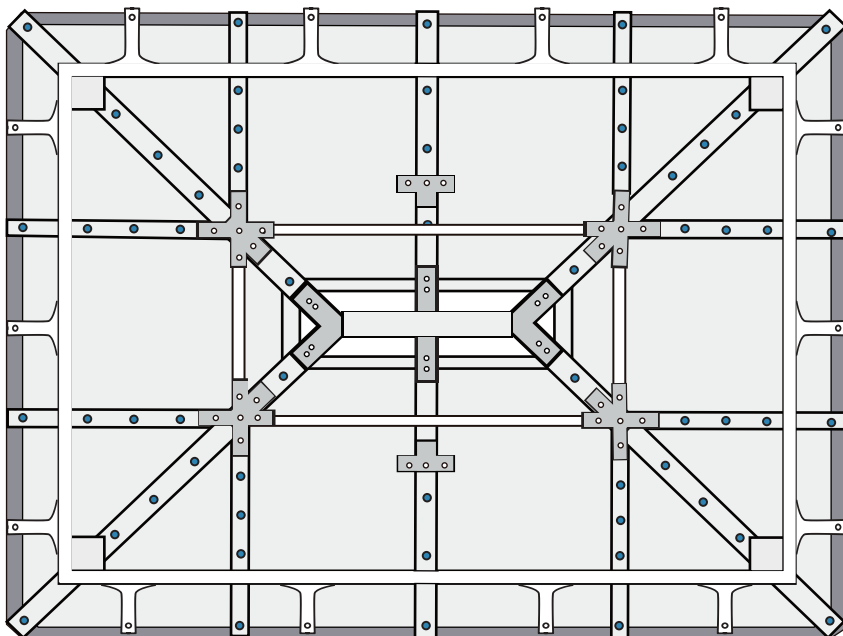
## 8.G

Fit roof panel (19) on top of roof profiles (13,14) and fasten with one screws (34) outer roof connector (7). Place profiles (11A) on top of roof profile (11) ; fasten ONLY THE TOP END with 1 screw (32). Fit roof panel (17) on top profiles (11,13) , fasten with one screw (34) outer roof connector (7), and then fasten (11A) with screw (32).



VIEW FROM BELOW  
(from inside gazebo)

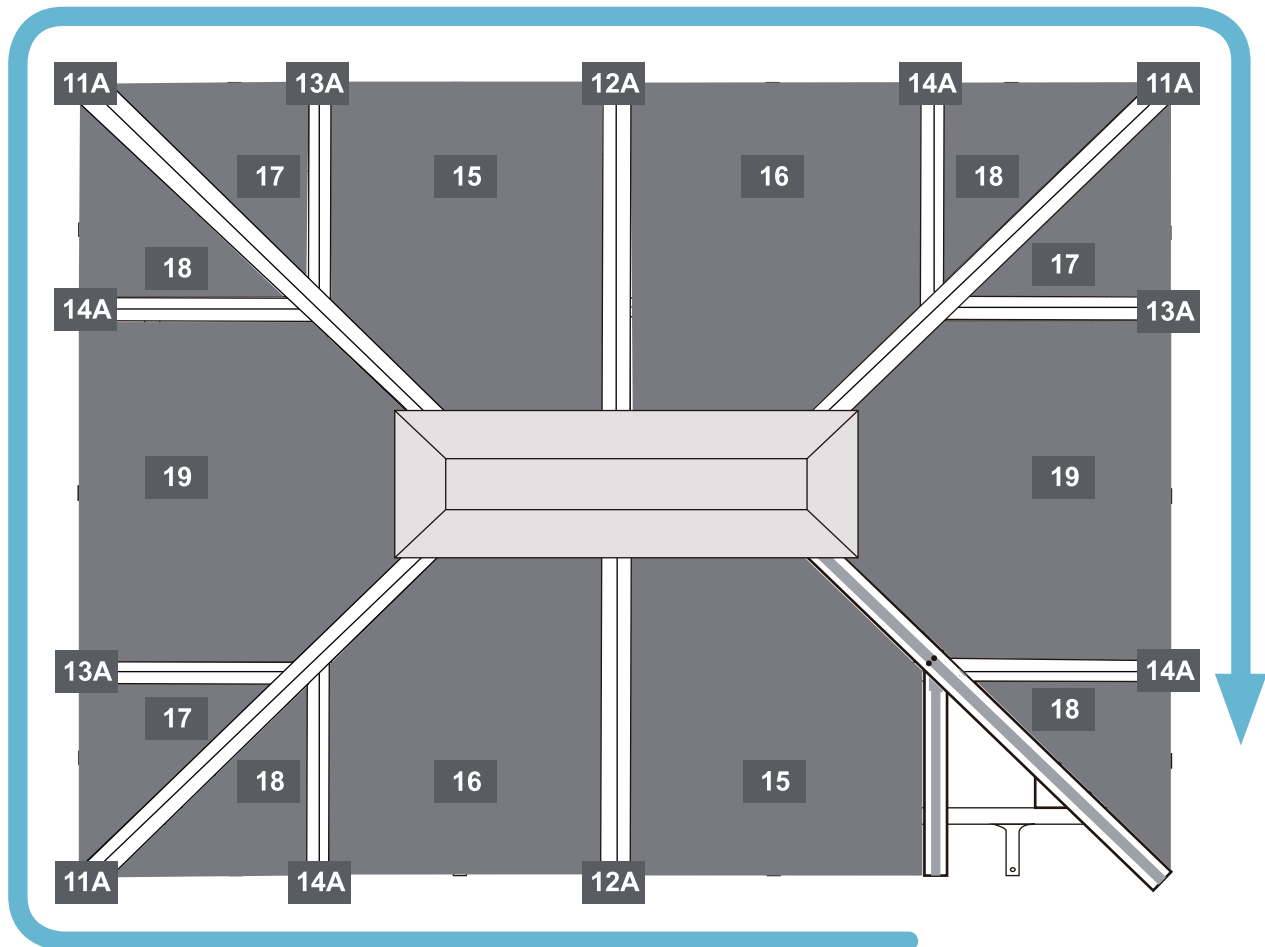
● Positions of screws (32) from below roof



VIEW FROM BELOW

## 8.H

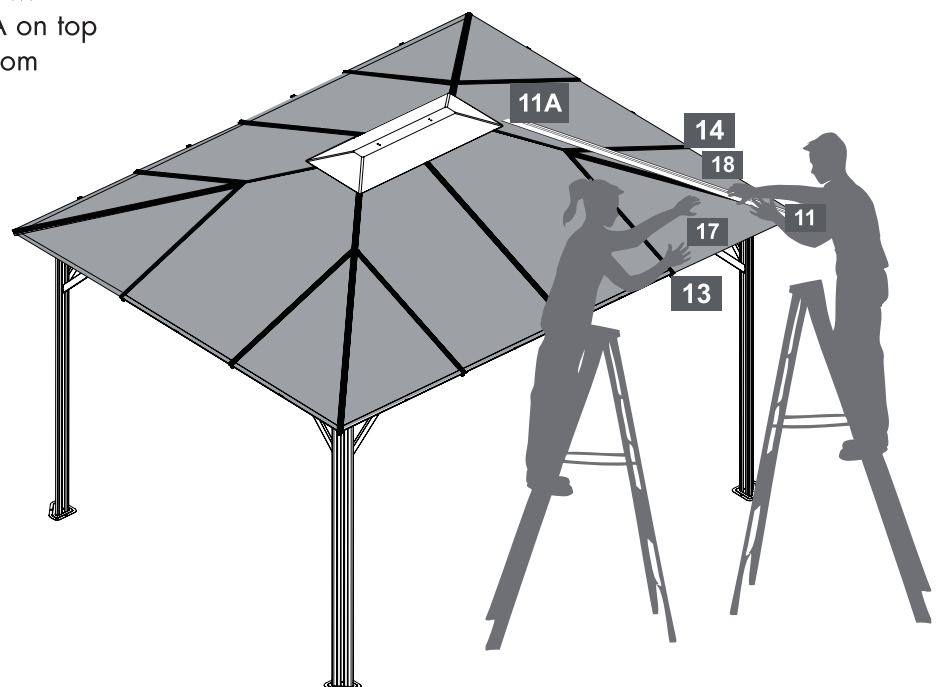
Continue in a clock-wise direction as shown.



VIEW FROM TOP

## 8.I

Place the roof panel (17,18) on top of profiles (11,13,14) ,  
fasten with screw (34) from below.  
Place the roof gable profile 11A on top  
of 11 , fasten with screw (32) from  
below of 11.

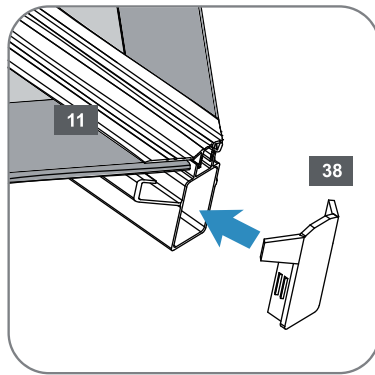
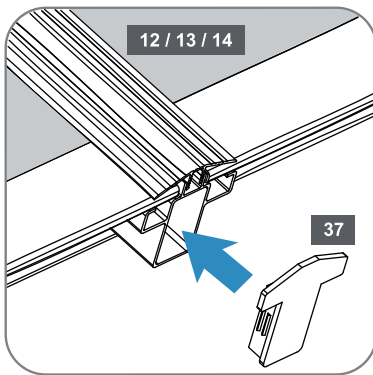


## 8.J

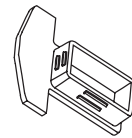
Place the roof gable profile (13A) on top of (13), fasten with screw (32) from below of 13.



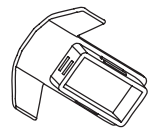
## STEP 9 Installing the Plastic Caps



### Components

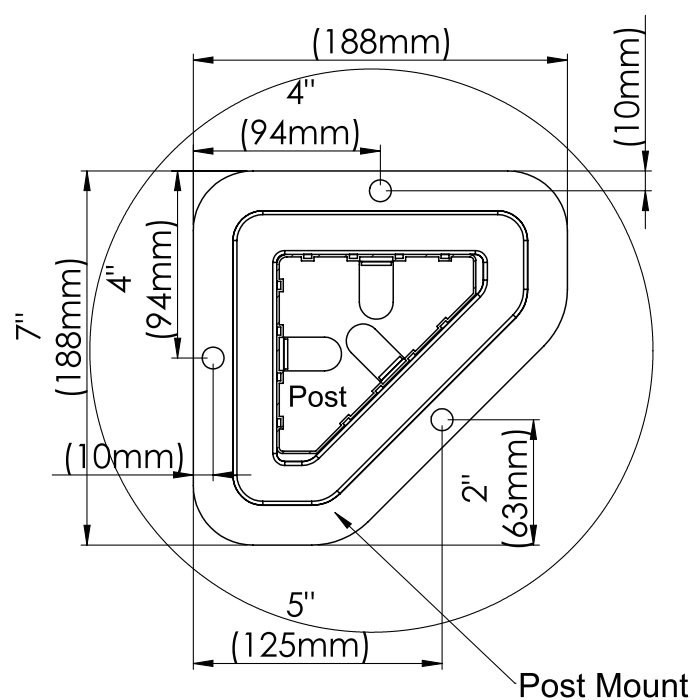
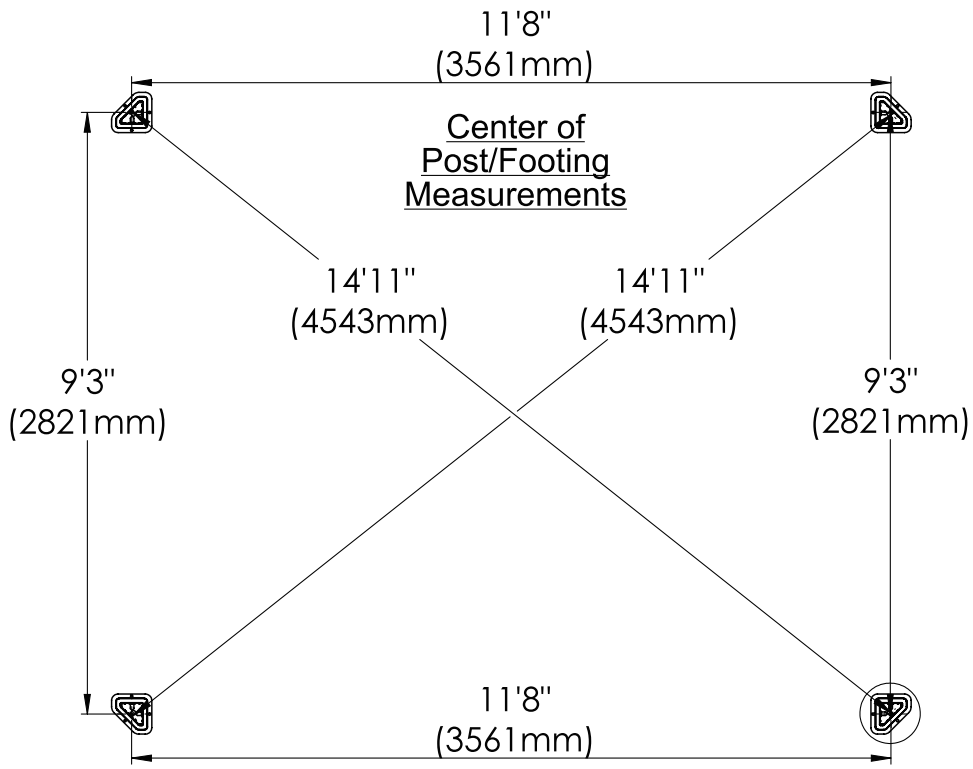
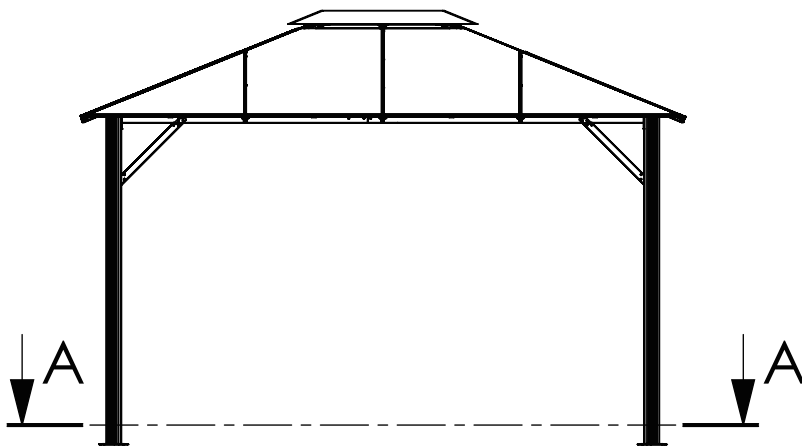


Plastic Cap #1 (37)  
x 10



Plastic Cap #2 (38)  
x 4

Close off roof profiles (12, 13, 14) with plastic caps #1 (37) and roof profiles (11) with plastic caps #2 (38).



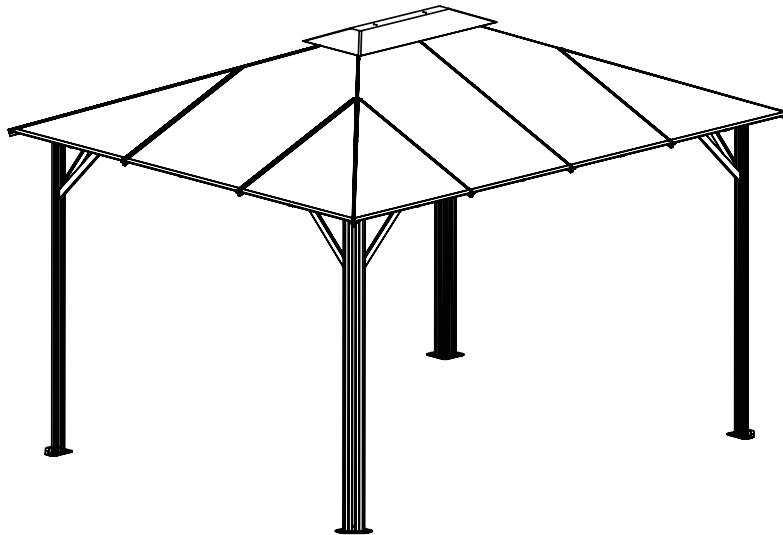
Post Detail

# Gazebo GZ3584-1

## Aluminum Composite Roof Panels



### Assembly Instructions



Enjoy your completed Gazebo!

- WARNING:** Cancer and Reproductive Harm-  
[www.P65Warnings.ca.gov](http://www.P65Warnings.ca.gov).
- AVERTISSEMENT:** Cancer et Troubles de l' appareil reproducteur-  
[www.P65Warnings.ca.gov](http://www.P65Warnings.ca.gov).
- ADVERTENCIA:** Cáncer y Daño Reproductivo-  
[www.P65Warnings.ca.gov](http://www.P65Warnings.ca.gov).

#### WARRANTY:

Warranty covers damage due to manufacturing defects only for a period of 5 years on the structure, and 5 years on the Aluminum Shell from date of purchase. Warranty does not cover weather inflicted damage and/or damages caused by not following assembly instructions and adhering to warnings in manual. Warranty does not cover user error, negligence, or misuse.

**ATTENTION :** Roof profiles roof panels and gables must be aligned properly during assembly to minimize any possibility of leaking.



Paragon Group USA

@paragonoutdoorcompany

Customer Service: (877) 782 4482 Email: [cs-outdoors@paragongroupusa.com](mailto:cs-outdoors@paragongroupusa.com)