



4344 MISSION BLVD.
(909) 627-0981

FAX (909) 628-3774

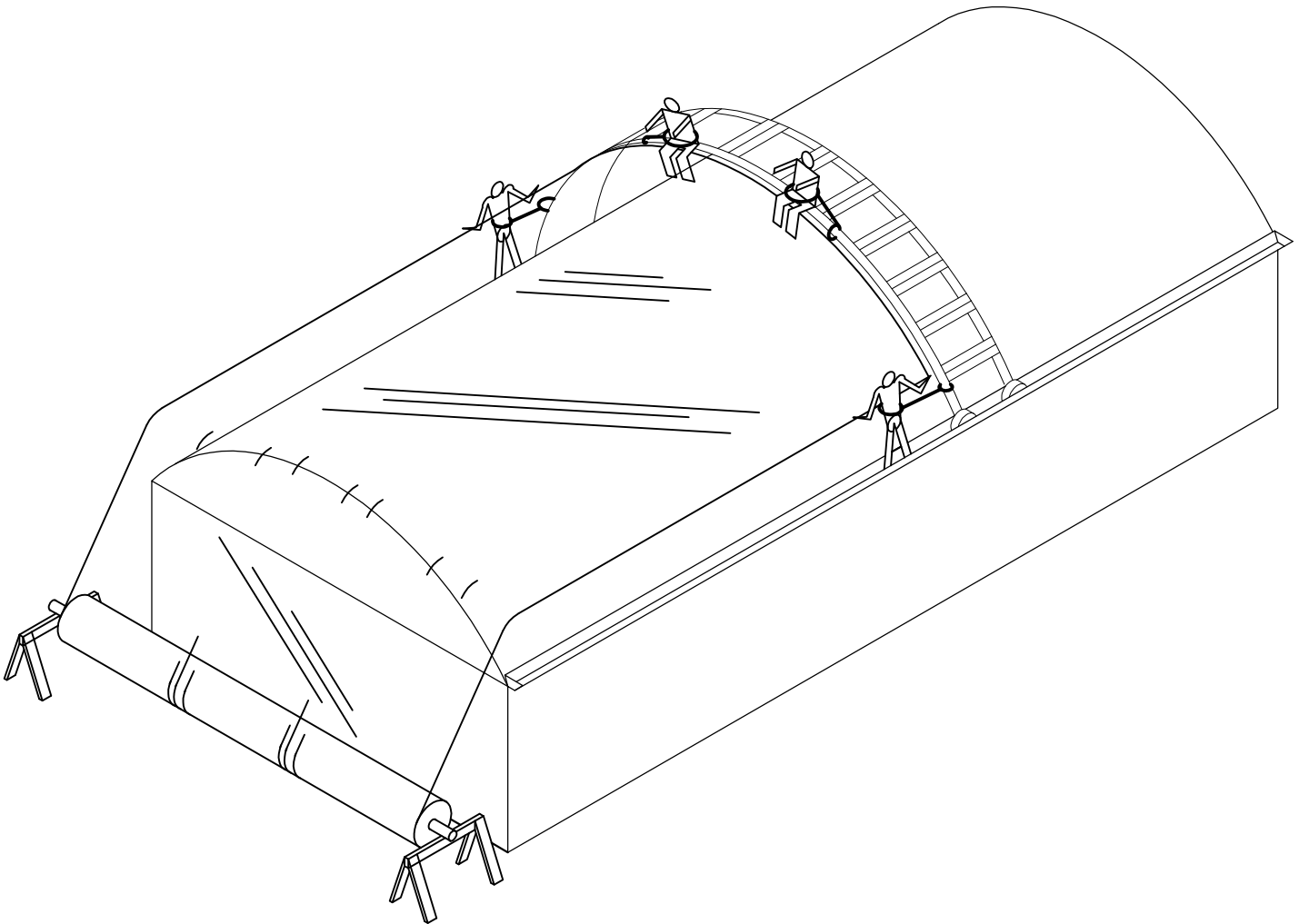
MONTCLAIR, CA. 91763
(800) 377-8441

SERVING AGRICULTURE SINCE 1946

A DIVISION OF JOHN L. CONLEY, INC.

GENERAL CONTRACTORS LICENSE NO. 323391-B

POLY INSTALLATION GREEN HOUSE SYSTEM



POLY COVERING INSTRUCTION MANUAL

TABLE OF CONTENTS

INTRODUCTION -----	Page 1
DISCLAIMER -----	Page 1
NOTICE TO CONLEY'S CUSTOMERS PROTECT YOURSELF FROM ADDED COSTS-----	Page 1 - 2
WARRANTY -----	Page 2
INSTALLATION OF TUBE LOCK FOR POLY COVERING -----	Page 3 - 5
INSTALLATION OF TUBE LOCK FOR POLY COVERING WITH HARD COVER OPTION -----	Page 6
INSTALLATION OF POLY COVERING WITH TUBE LOCK -----	Page 7
INSTALLATION OF POLY COVERING WITH VINNIPET BASE & SPRING-----	Page 8
TYPICAL LOCATIONS OF TUBE LOCK AND VINNIPET BASE-----	Page 9
INSTALLATION OF POLY COVERING ON ARCHED BUILDINGS -----	Page 10
INSTALLATION OF POLY COVERING ON MULTIPLE ARCHED BUILDING -----	Page 11
INSTALLATION OF POLY COVERING ON SIDE WALL AND END WALLS-----	Page 11
INSTALLATION OF INFLATOR FAN AT GUTTER AND ENDWALL-----	Page 12
INFLATOR FAN ASSEMBLY (GUTTER & ENDWALL) -----	Page 13
INFLATOR FAN SAMPLE BUILDING LAYOUTS-----	Page 14

INTRODUCTION

SHOULD YOU HAVE ANY QUESTIONS CONCERNING THESE INSTRUCTION, COMPONENTS ETC..., PLEASE CONTACT US DIRECTLY. WE WELL BE GLAD TO ANSWER ANY QUESTIONS CONCERNING OUR MANUFACTURED PRODUCT.

INCLUDED IN THIS PACKAGE ARE INSTRUCTIONS AND DETAILED DRAWINGS PERTAINING TO YOUR CONLEY'S GREENHOUSE SYSTEM. STUDY THE INSTRUCTIONS BEFORE BEGINNING CONSTRUCTION TO BECOME FAMILIAR WITH OUR PRODUCT AND HOW IT IS ASSEMBLED.

STORE ALL MATERIALS OFF THE GROUND ON WOOD BLOCKS. PROTECT ALL YOUR MATERIALS FROM THEFT AND/OR DAMAGE. YOU MAY WISH TO DISCUSS BUILDERS RISK INSURANCE WITH YOUR INSURANCE AGENT.

DISCLAIMER

THE FOLLOWING INSTRUCTIONS ARE GIVEN AS SUGGESTED GUIDELINES FOR GENERAL INSTRUCTIONS. CONLEY'S MANUFACTURING AND SALES OR ANY OF THEIR EMPLOYEES SHALL NOT BE RESPONSIBLE RESULTING FROM PURCHASERS IMPLEMENTATION OF THESE INSTRUCTIONS. PURCHASERS ALONE SHALL RESPONSIBLE FOR CONFORMANCE WITH ALL APPLICABLE LAWS, ORDINANCES, AND SAFETY STANDARDS IN CONSTRUCTING THIS GREENHOUSE AND ALL EQUIPMENT INSTALLED THEREIN.

NOTICE TO CONLEY'S CUSTOMERS PROTECT YOURSELF FROM ADDED COSTS

ALL PRODUCTS ARE SOLD F.O.B. SHIPPING POINT, AND THE ATTACHED MEMORANDUM COPY OF BILL OF LADING THAT INDICATES THAT MATERIAL SHIPPED HAS NOW, BY LAW, BECOME YOUR PROPERTY AND IS AN ACKNOWLEDGMENT BY THE TRANSPORTATION COMPANY OF THE RECEIPT OF THE MATERIALS IN GOOD CONDITION.

SAFE DELIVERY OF THIS SHIPMENT IS NOW THE RESPONSIBILITY OF THE CARRIER WHO ACTS AS YOUR AGENT. WE WILL BE GLAD TO RENDER ASSISTANCE TO TRACE AND RECOVER LOST GOODS.

EXAMINE THE SHIPMENT CAREFULLY BEFORE SIGNING THE FREIGHT BILL. IF ANY DAMAGE IS NOTED, OR OF THE NUMBER OF PIECES DOES NOT AGREE WITH THE BILL OF LADING, INSIST THAT SHORTAGE OR DAMAGE BE NOTED ON THE FREIGHT BILL BY THE CARRIERS AGENT. FAILURE TO DO SO MAY JEOPARDIZE YOUR RECOVERY.

DO NOT REFUSE SHIPMENT AS THIS IS YOUR PROPERTY AND REFUSAL CAUSES UNNECESSARY DELAYS AND SHORTAGE EXPENSES. ARRANGE WITH CARRIER WITHIN 15 DAYS TO INSPECT AND MAKE REFERENCE THERE TO ON THE FREIGHT BILL. CONSULT YOUR CARRIER FOR DISPOSITION OF DAMAGED ARTICLES.

MAKE YOUR CLAIM PROMPTLY, THE TRANSPORTATION COMPANY WILL NOT CONSIDER A CLAIM UNLESS IT IS PRESENTED WITHIN (9) MONTHS FROM THE DATE OF SHIPMENT. CARRIERS AGENT WILL ASSIST YOU IN PREPARING A CLAIM.

CLAIMS FOR LOSS OR DAMAGE AND TRANSPORTATION CHARGES RESULTING FROM SHIPPING, MUST NOT BE DEDUCTED FROM THE INVOICE, NOR PATENT INVOICES WITH HELD AWAITING ADJUSTMENT OF SUCH CLAIMS, SINCE IT IS THE FUNCTION OF THE CARRIER TO GUARANTEE SAFE DELIVERY.

CHECK THE ITEMS RECEIVED WITH THE INVOICE. IF THERE IS ANY DISCREPANCY CONTACT US IMMEDIATELY GIVING FULL PARTICULARS. CLAIMS FOR SHORTAGE ATTRIBUTED TO OUR COUNT IN PACKAGE MUST BE MADE WITHIN 10 DATE FORM THE SHIPMENT IS RECEIVED.

NO MERCHANDISE MAY BE RETURNED FOR CREDIT WITHOUT A RETURN GOODS TAG AND SHIPPING INSTRUCTIONS FROM THE FACTORY.

WARRANTY

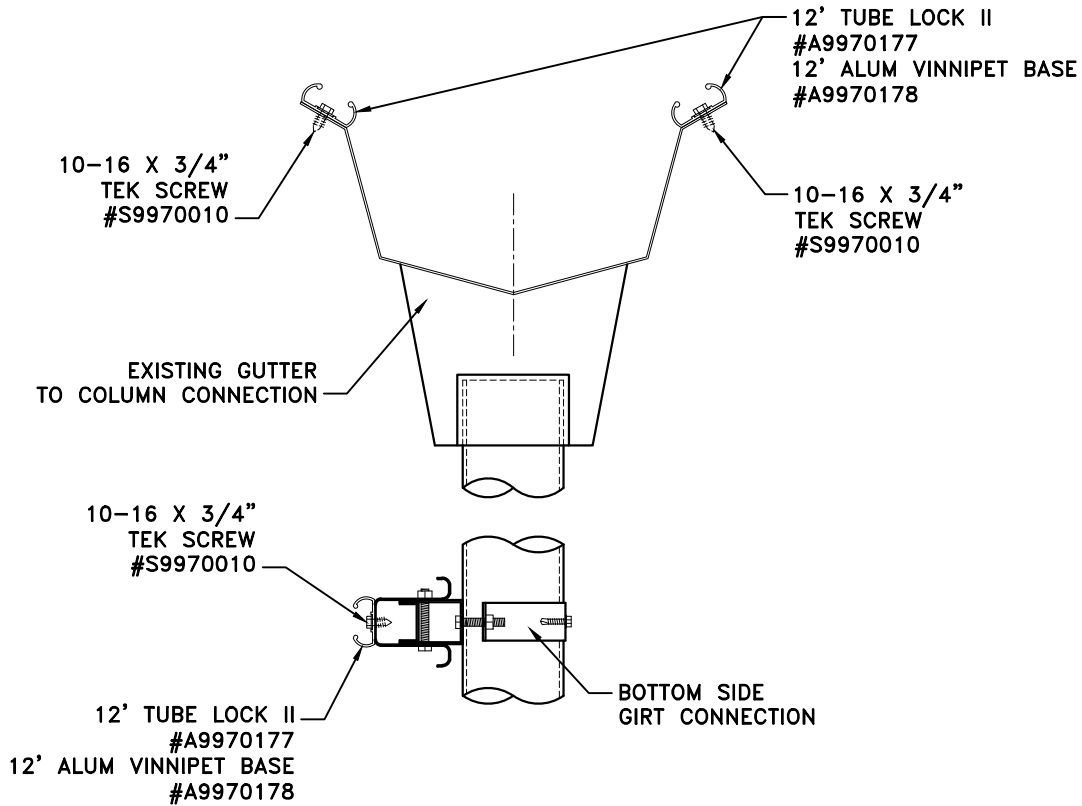
CONLEY'S MANUFACTURING AND SALES, THEIR EMPLOYEES OR REPRESENTATIVES, WILL NOT BE RESPONSIBLE FOR ANY DAMAGES TO GREENHOUSE COVERINGS, STRUCTURES, CROPS OR EQUIPMENT WHEN USED IN CONDUCTION WITH OUR TUBE - LOCK, OR ANY OTHER LOCKING DEVICE MANUFACTURED BY CONLEY'S MANUFACTURING AND SALES OR OTHERS.

CAUTION:

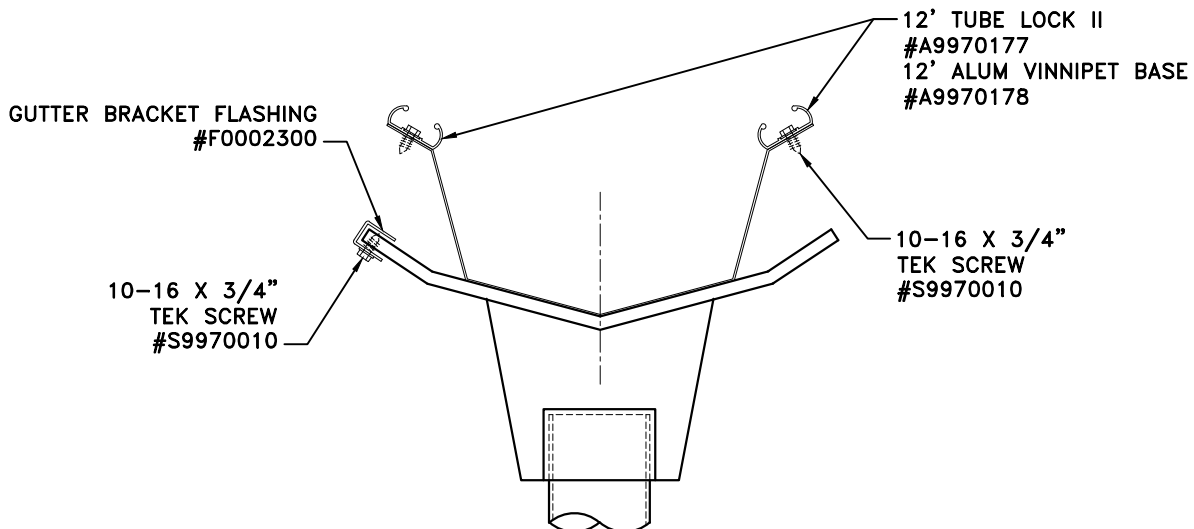
WHEN REPLACING ROOFS OR WORKING IN GUTTERS ALWAYS USE OSHA APPROVED EQUIPMENT AND HARNESES. ALWAYS BE AWARE OF OVERHEAD POWER LINES WHEN WORKING ON ROOFS.

INSTALLATION OF TUBE LOCK FOR POLY COVERING

1. ATTACH THE TUBE LOCK OR VINNIPET BASE TO EACH SIDE OF THE GUTTER WITH A 10-16 X 3/4" TEK SCREW WITHOUT WASHERS AT 18" ON CENTER ATTACH THE TUBE LOCK OR VINNIPET BASE TO THE BOTTOM GIRT WITH 10-16 X 3/4" TEK SCREWS WITHOUT WASHERS AT 18" ON CENTER.

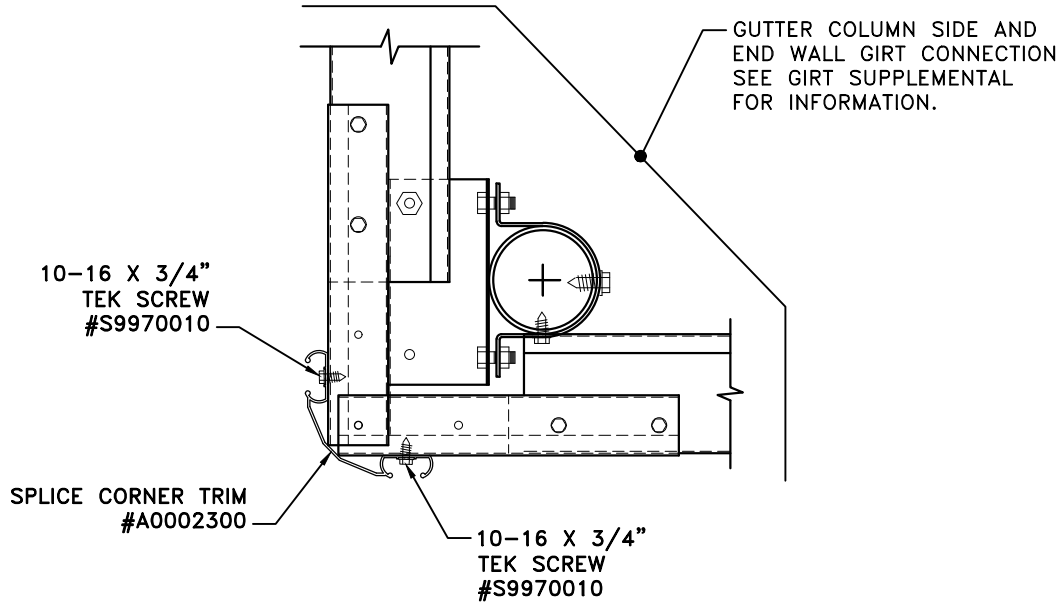


2. ATTACH THE 12' GUTTER BRACKET FLASHING TO THE GUTTER BRACKET WITH 10-16 X 3/4" TEK SCREW AT 24" ON CENTER TO PREVENT POLY DAMAGE.

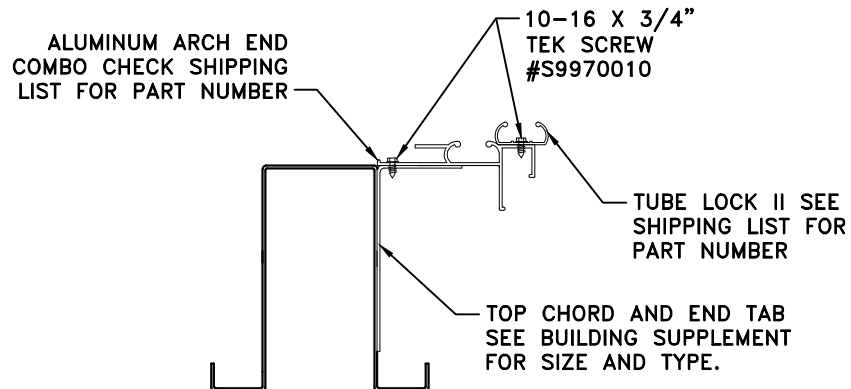


NOTE:
USE GUTTER BRACKET FLASHING ONLY IF
THE BUILDING USES GUTTER BRACKETS.

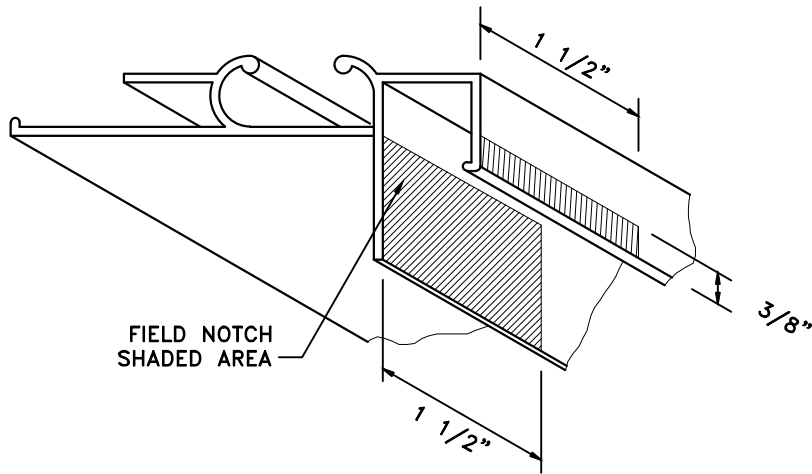
3. ATTACH THE CORNER TRIM SPLICE TO THE SIDE WALL AND END WALL GIRT EXTENSIONS WITH 10-16 X 3/4" TEK SCREWS AT 12" ON CENTER.



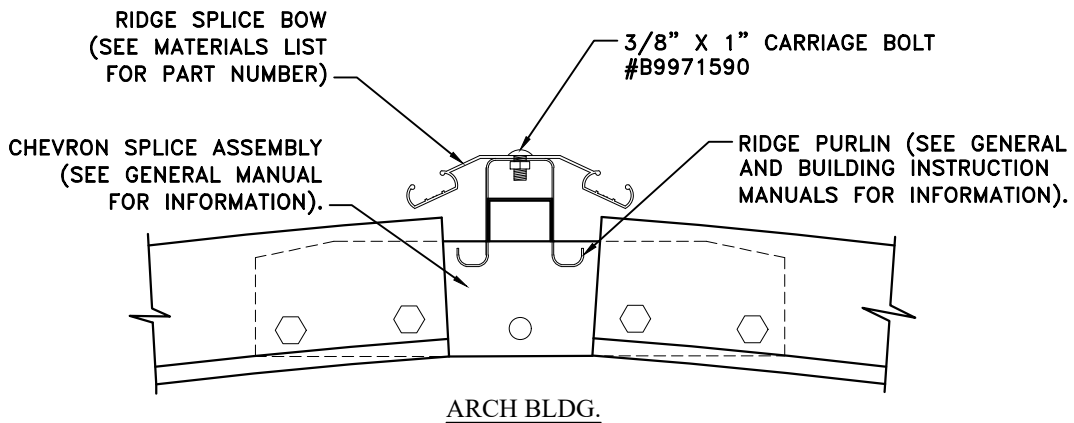
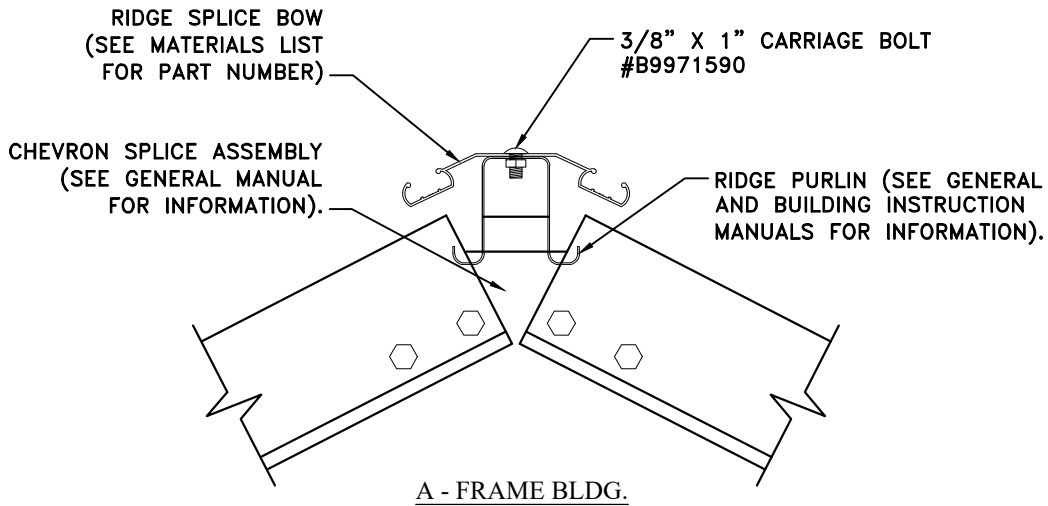
4. ATTACH THE ARCH END COMBO TO THE END WALL UPPER CHORD AND END TAB WITH 10-16 X 3/4" TEK SCREW AT 12" ON CENTER. ATTACH THE TUBE TUBE LOCK WITH 10-16 X 3/4" TEK SCREW AT 12" ON CENTER.



5. NOTCH THE ENDS OF THE ARCH TRIM SO IT WILL LAY ON THE GUTTER, BEFORE INSTALLATION.

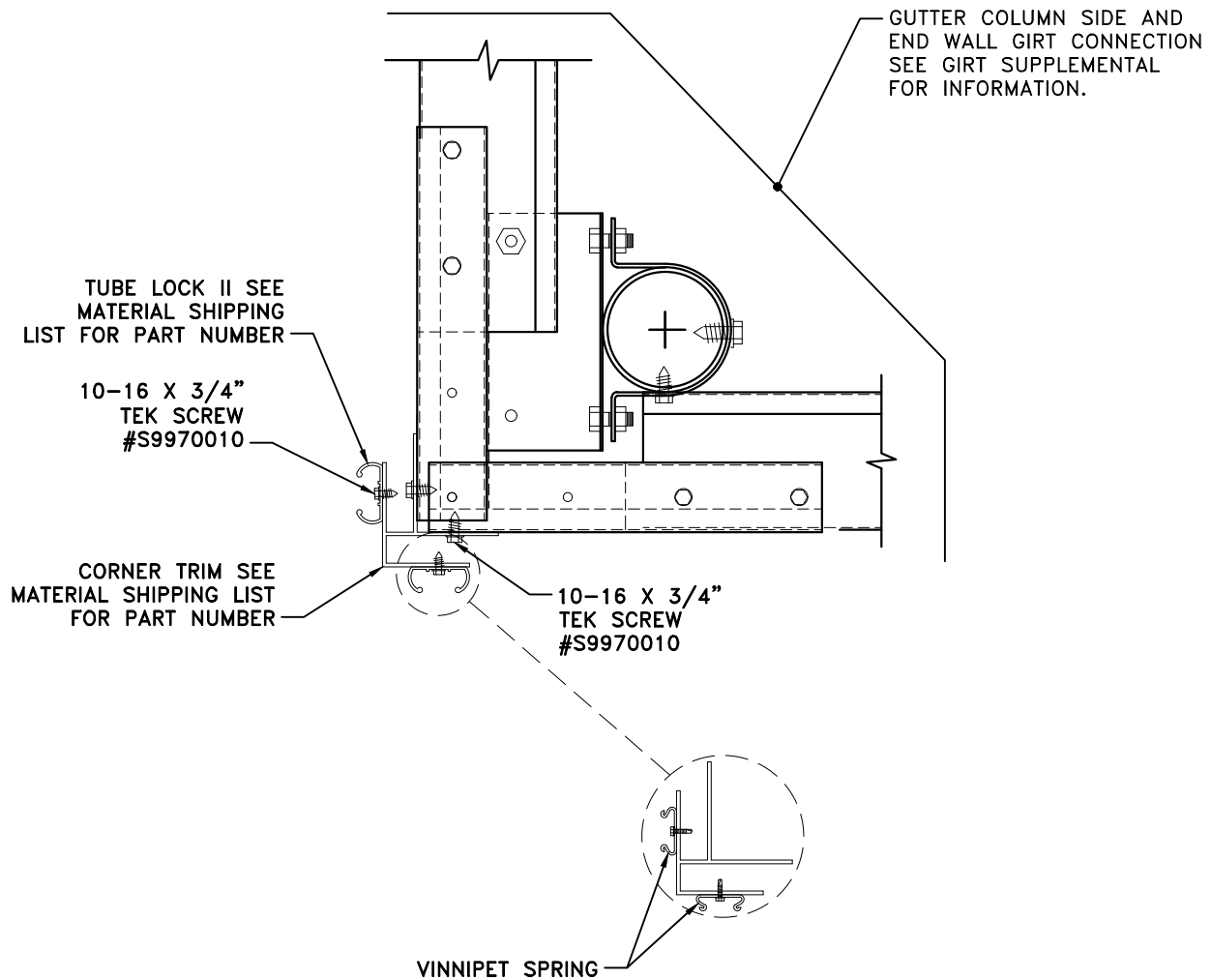


6. ATTACH THE RIDGE SPLICE BOW TO THE RIDGE PURLIN WITH 3/8" X 1" CARRIAGE BOLT.



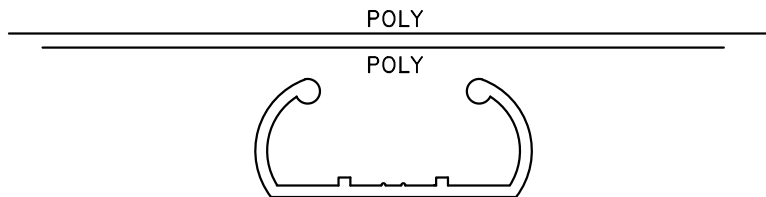
INSTALLATION OF TUBE LOCK FOR POLY COVERING WITH HARD COVER OPTION

1. ATTACH THE CORNER TRIM TO THE GIRT EXTENSIONS WITH A 10-16 X 3/4" TEK SCREWS PER EXTENSION. ATTACH 1 TUBE LOCK TO EACH SIDE OF THE CORNER TRIM WITH A 10-16 X 3/4" TEK SCREW AT 12" ON CENTER.



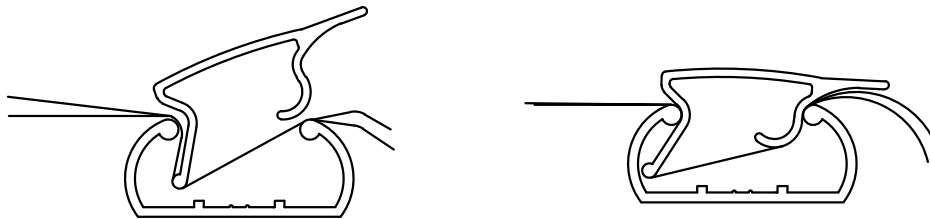
INSTALLATION OF POLY COVERING WITH TUBE LOCK

1. APPLY THE POLY FILM (ONE OR MORE LAYERS) OVER THE PREVIOUSLY INSTALLED TUBE LOCK.



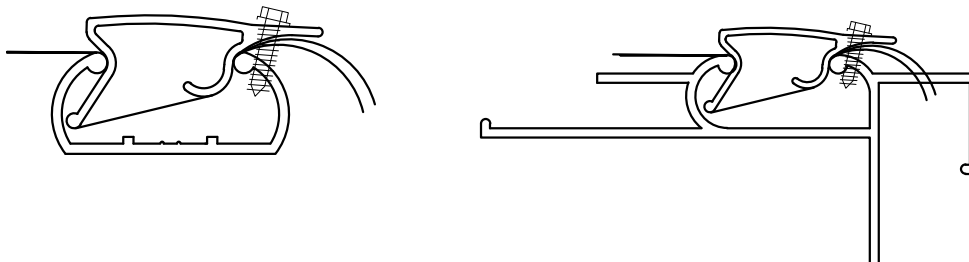
DETAIL 1

2. INSERT THE LONG LEG OF THE CAP FIRST. KEEP IT NEXT TO THE INFLATED SIDE OF THE COVERING.



DETAIL 2

3. TEK SCREW THE TUBE LOCK CAP TO THE BASE OR ARCH END COMBO WITH A 10-16 X 3/4" TEK SCREWS AT EACH END. TO INSTALL STRAIGHT 6' TUBE LOCK CAPS ON ARCHED SEGMENTS, FIRST SCREW IN ONE END AND WITH THE USE OF A MALLET, WORK YOUR WAY AROUND THE ARCH TO ACHIEVE THE REQUIRED CURVATURE.

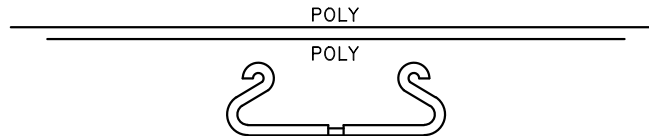


DETAIL 3

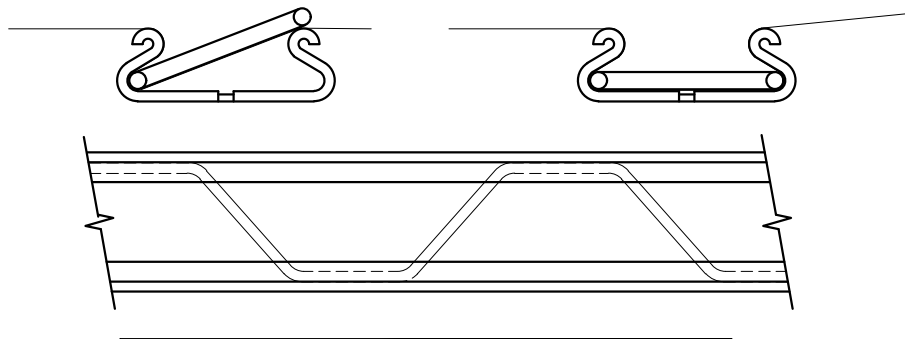
INSTALLATION OF POLY COVERING WITH VINNIPET SPRING

NOTE: TEK SCREW ALL VINNIPET BASE AT A MINIMUM OF 16" ON CENTER

1. APPLY POLY FILM (ONE OR MORE LAYERS) OVER PREVIOUSLY INSTALLED VINNIPET BASE.

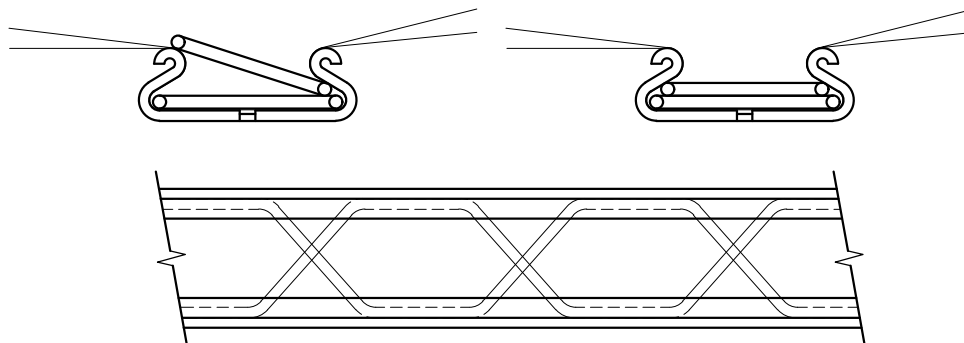


2. INSERT ONE EDGE OF THE VINNIPET SPRING INTO THE VINNIPET BASE. KEEPING POLY TIGHT WEAVE THE VINNIPET SPRING INTO THE BASE SECURING THE POLY.



USE DOUBLE CLIPS WHEN INSTALLING 32' OR
WIDER POLY, DOUBLE POLY, AND/OR BUILDING
IS LOCATED IN HIGH WIND AREA.

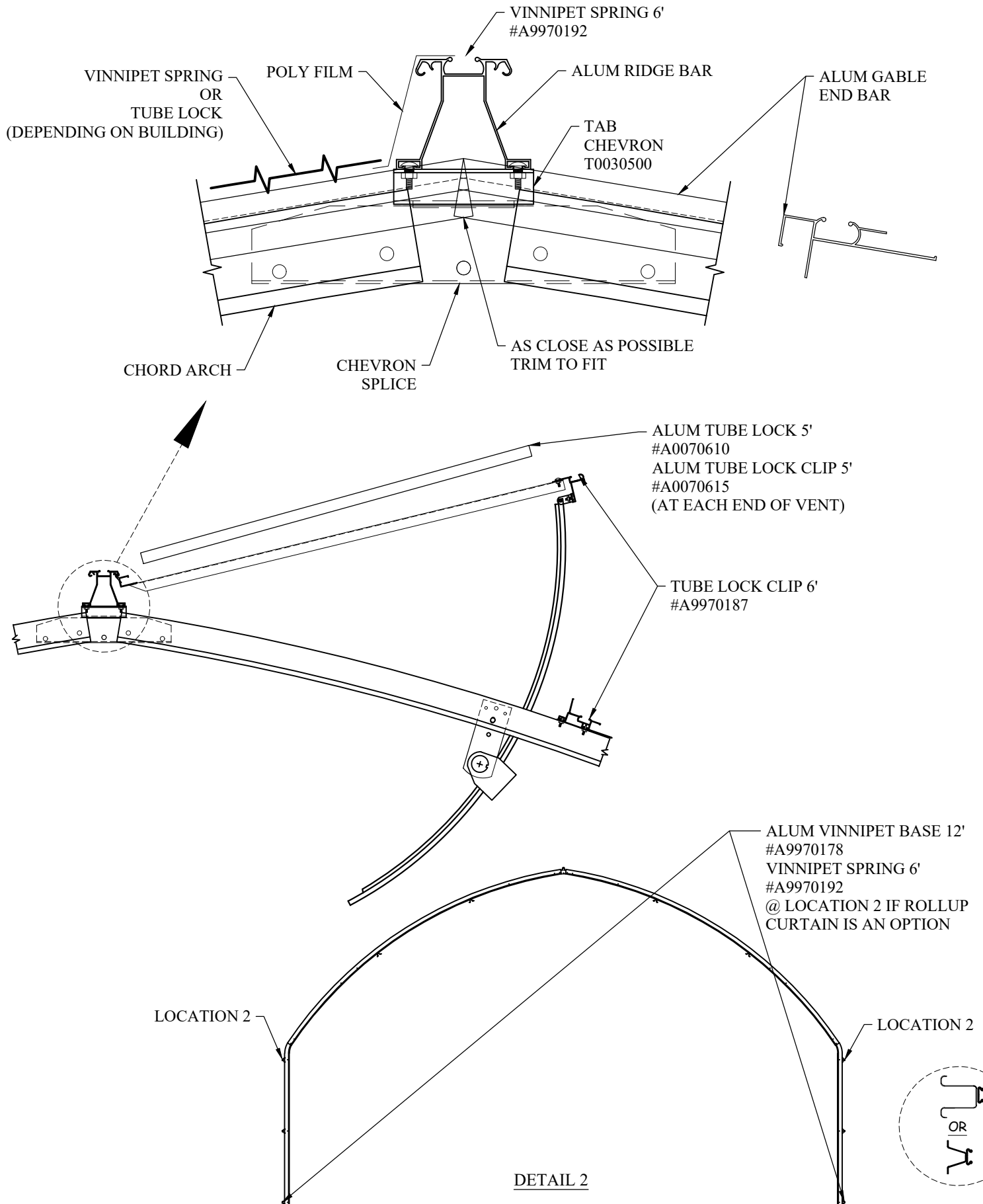
3. INSERT ONE EDGE OF THE SECOND VINNIPET SPRING INTO THE VINNIPET BASE. KEEPING POLY TIGHT WEAVE THE SECOND VINNIPET SPRING INTO THE BASE SECURING THE POLY.



WARRANTY CONLEY'S MFG. AND SALES, THEIR EMPLOYEES OR REPRESENTATIVES, WILL NOT BE RESPONSIBLE FOR ANY DAMAGE TO GREENHOUSE COVERING, STRUCTURES, CROPS OR EQUIPMENT WHEN USED IN CONJUNCTION WITH OUR TUBE - LOCK, OR ANY OTHER LOCKING DEVICE MFG,D BY C.M.S. OR OTHERS.

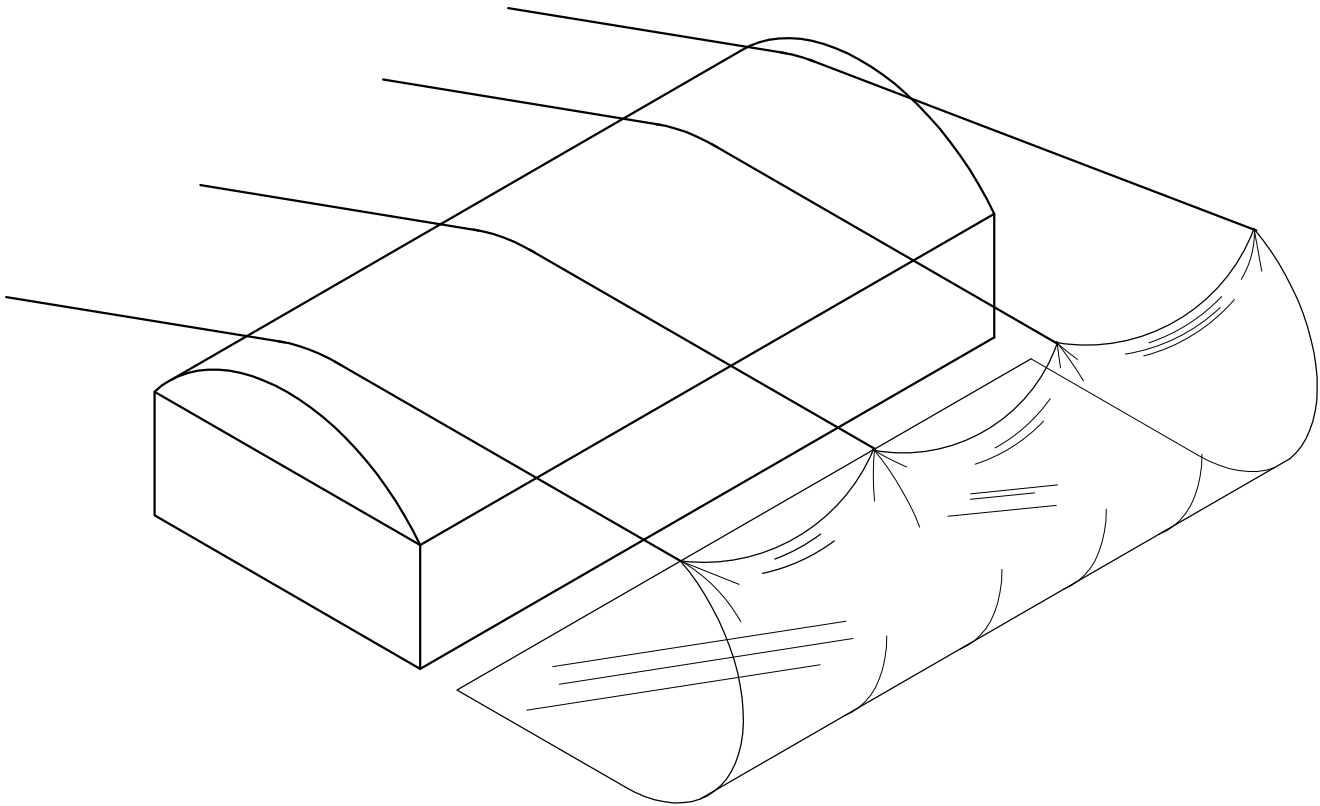
TUBE LOCK & VINNIPET BASE LOCATIONS

1. BELOW ARE THE TYPICAL LOCATIONS FOR THE VINNIPET BASE AND TUBE LOCKS ON MOST POLY BUILDINGS.



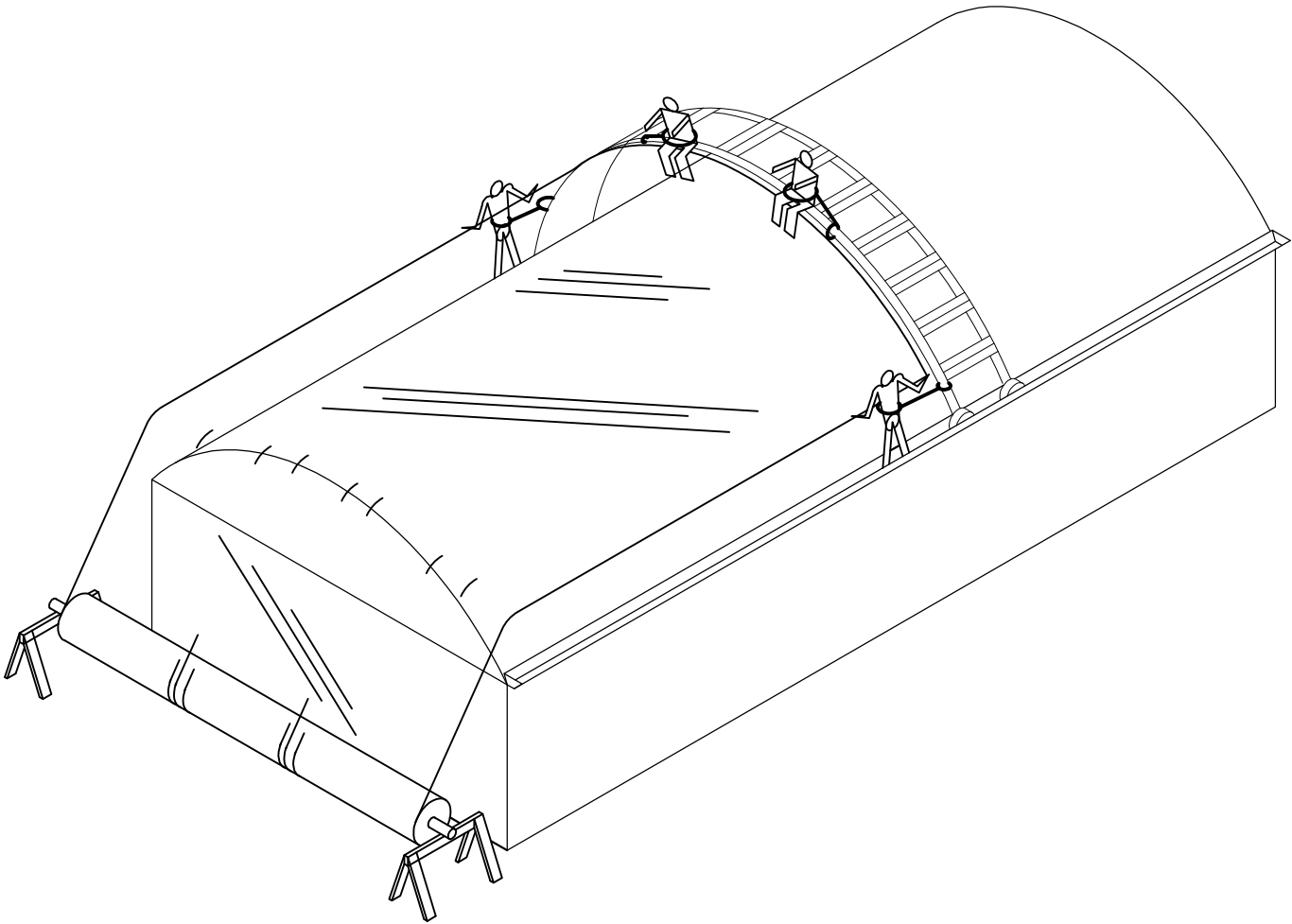
INSTALLATION OF POLY COVERING ON ARCHED BUILDINGS

1. ON SINGLE BUILDINGS, ROLL OUT THE POLY LENGTHWISE NEXT TO BUILDING.
2. WAD UP THE POLY (APPROX. EVERY 20') AND TIE IT WITH ROPES ON THE SIDE OF THE POLY FURTHEST FROM THE BUILDING.
3. THROW ROPES OVER THE BUILDING AND PULL THE POLY ONTO THE BUILDING. REPEAT THIS PROCEDURE FOR MULTIPLE LAYERS OF POLY.
4. INSTALLING POLY REQUIRES A MINIMUM OF FOUR PEOPLE, TWO PEOPLE TO HOLD THE POLY IN PLACE AT THE END OF THE BUILDING, ONE ON EACH SIDE. THE OTHER TWO PEOPLE STARTING AT THE OPPOSITE END OF BUILDING TO INSTALL THE TUBE LOCK CAP SIMULTANEOUSLY, ON EACH SIDE OF BUILDING. SEE PAGE 7 OR 8 FOR POLY LOCKING INSTRUCTIONS.
5. SECURE THE TUBE LOCK CAP WITH TEK SCREWS AT EACH END.



INSTALLATION OF POLY COVERING ON MULTIPLE ARCHED BUILDINGS

1. PLACE A POLY ROLL ON PIPE SUSPENDED BETWEEN TWO SAW HORSES AT THE END OF THE BUILDING. TAPE UP THE SHARP EDGES ON THE END OF THE BUILDING.
2. INSTALLING POLY ON THE ROOF REQUIRES A MINIMUM OF 4 PEOPLE. TWO PEOPLE TO PULL THE POLY ONTO THE ROOF AND TWO PEOPLE TO WALK THE POLY TO THE OPPOSITE END OF THE BUILDING AND HOLD IN PLACE. TWO PEOPLE ARE NEEDED TO TO SECURE EACH SIDE OF THE BUILDING WITH TUBE LOCK CAP, STARTING ON THE POLY ROLL SIDE. SEE PAGE 7 FOR TUBE LOCK CAP INSTRUCTIONS.
3. SECURE THE TUBE LOCK CAP WITH TEK SCREWS AT EACH END.
4. FOR MULTIPLE LAYERS OF POLY, PULL THE SECOND SHEET ONTO THE FIRST IN THE SAME MANNER AS DESCRIBED IN NOTE 2, BEFORE INSTALLING THE TUBE LOCK CAP.



INSTALLATION OF POLY COVERING ON SIDE WALLS AND END WALLS

1. ROLL OUT THE POLY ON THE SIDE OF THE BUILDING.
2. LIFT THE POLY TO THE TOP TUBE LOCK AND SECURE IT WITH A TUBE LOCK CAP THEN SECURE THE BOTTOM OF THE POLY WITH A TUBE LOCK CAP. SECURE THE CAPS TO THE TUBE LOCK WITH TEK SCREWS ON EACH END. REFER TO PAGE 3 FOR TUBE LOCK CAP INSTALLATION.

INSTALLATION OF INFLATOR FAN (GUTTER OR END WALL)

- 1A. (GUTTER) ATTACH THE INFLATOR FAN HANGER TO THE GUTTER WITH (2) 5/16" X 3/4" MACHINE BOLTS WITH WASHERS AND (2) 5/16" HEX NUTS. (**FIG 1** PG13)
- 1B. (ENDWALL STUD) ATTACH THE INFLATOR FAN HANGER TO THE GUTTER WITH (2) 1/4" X 1/2" MACHINE BOLTS WITH WASHERS AND (2) 1/4" HEX NUTS. (**FIG 2A** PG13)
- 1C. (ENDWALL COLUMN) ATTACH THE INFLATOR FAN HANGER TO THE END WALL ROUND COLUMN WITH (2) 1/4" X 1/2" MACHINE BOLTS AND (2) 1/4" HEX NUTS, AND THE APPROPRIATE U-BOLT. (**FIG 1C** PG13)
2. CLAMP THE INFLATOR FAN HOSE TO THE INFLATOR FAN (CLAMPS SUPPLIED WITH FAN).
3. ATTACH THE MOUNTING PLATE WITH THE FAN TO THE INFLATOR FAN HANGER WITH (2) 1/4" X 3/4" MACHINE BOLTS AND (2) 1/4" HEX NUTS.
4. TO CUT THE POLY, PUT YOUR HAND BETWEEN THE 2 LAYERS OF POLY AND SLIT POLY SHOWN BELOW SMALLER THAN THE SMALL END OF THE INFLATOR COUPLING IN THE BOTTOM LAYER OF THE POLY, ABOVE THE INFLATOR FAN.



(BE CAREFUL TO KEEP THE CIRCLE CONTINUOUS SO THAT WHEN POLY IS INFLATED THE WALL WILL NOT RIP.)

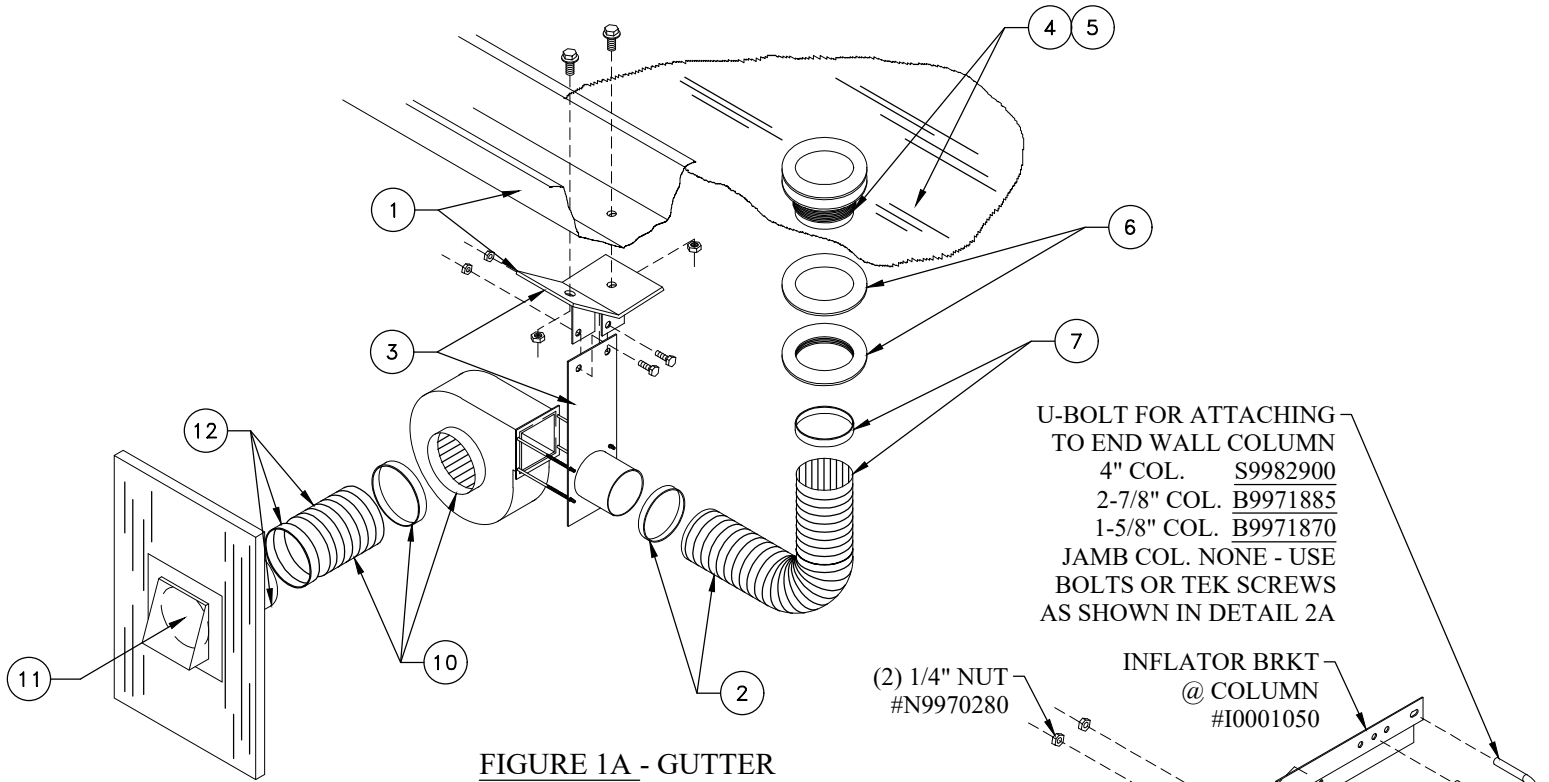
5. SLIP ONE RUBBER WASHER OVER THE INFLATOR COUPLING. SLIDE THE COUPLING BETWEEN THE TWO LAYERS OF POLY AND PUSH THE SMALL END THROUGH THE HOLE MADE IN STEP 2.
6. SLIP THE SECOND RUBBER WASHER OVER THE SMALL END OF THE COUPLING AND SCREW ON THE NUT, SANDWICHING THE BOTTOM LAYER OF POLY BETWEEN THE TWO RUBBER WASHERS.
7. CLAMP THE INFLATOR HOSE TO THE INFLATOR COUPLING.
8. SECURE THE POLY WITH THE TUBE LOCK. SEE PAGE 5 AND 6.
9. WIRE THE INFLATOR FAN TO 110 VOLT ELECTRICAL OUTLET.

OPTIONAL - THIS WILL HELP BRING IN DRY AIR, AND HELP PREVENT CONDENSATION FROM FORMING BETWEEN THE LAYERS OF POLY FILM.

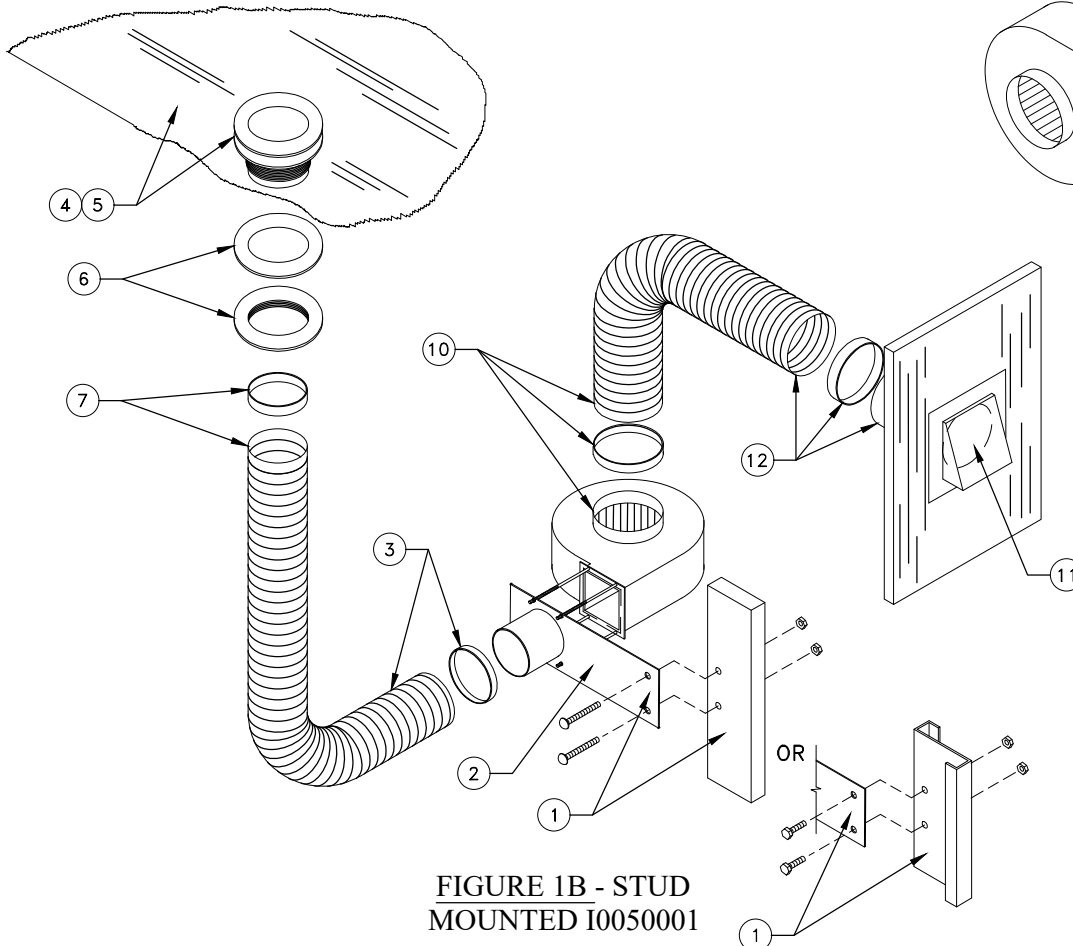
10. CLAMP THE INTAKE TO THE INFLATOR FAN.
11. CUT A HOLE IN THE SIDE WALL COVERINGS SO THE EXTERIOR VENT CAN SLIDE THROUGH.
12. SLIDE THE VENT THROUGH THE SIDE WALL AND CLAMP THE INTAKE HOSE TO IT.

CAUTION - BE SURE THERE ARE NO UNDERGROUND OR OVERHEAD ELECTRICAL WIRES, WATER PIPES, GAS LINES, ETC. ON OR NEAR THE JOB SITE.

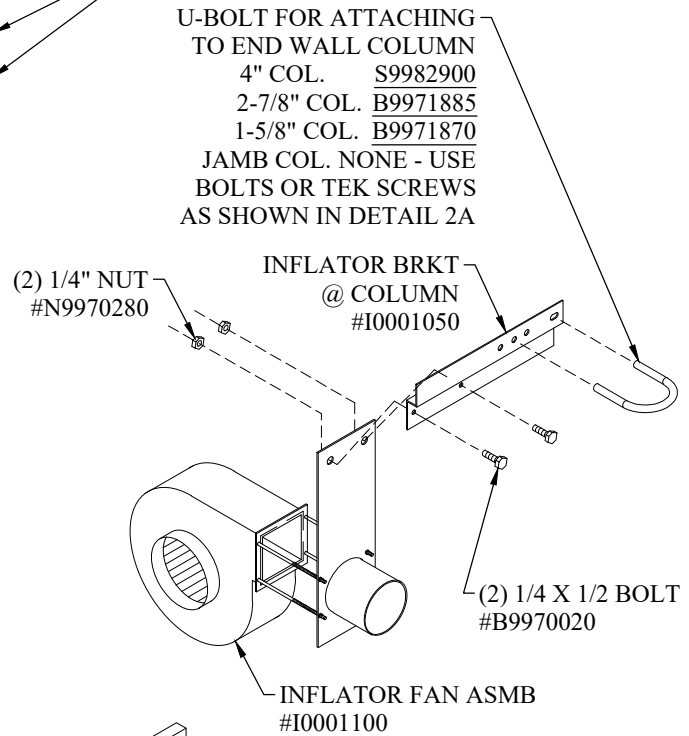
INFLATOR FAN ASSEMBLY (FOR DOUBLE POLY COVERING OPTION)



**FIGURE 1A - GUTTER
MOUNTED I0050000**



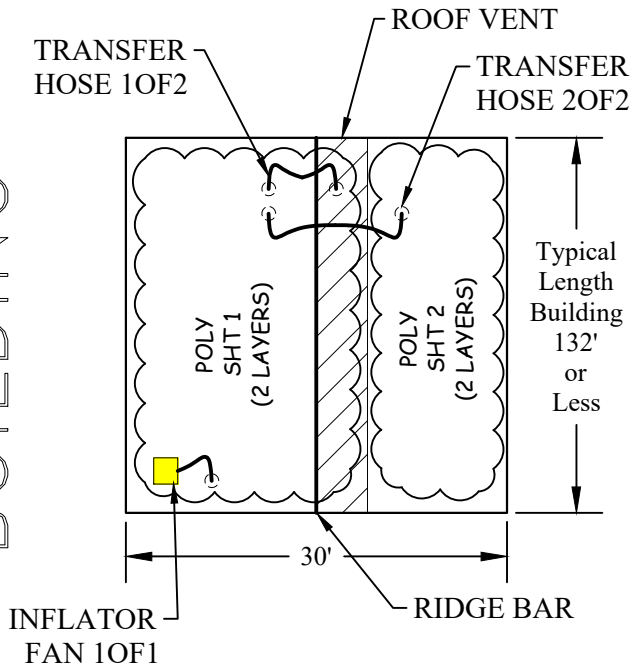
**FIGURE 1B - STUD
MOUNTED I0050001**



**FIGURE 1C - COLUMN
MOUNTED I0050001**

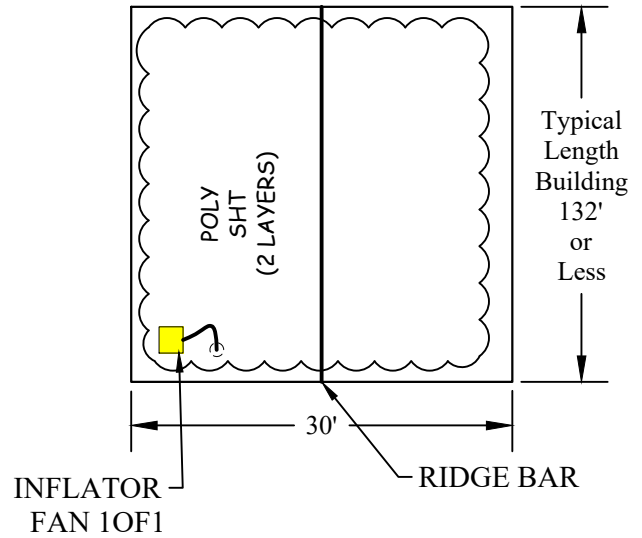
INFLATOR FAN LOCATIONS

SMALLER
BUILDING



DETAIL 1A

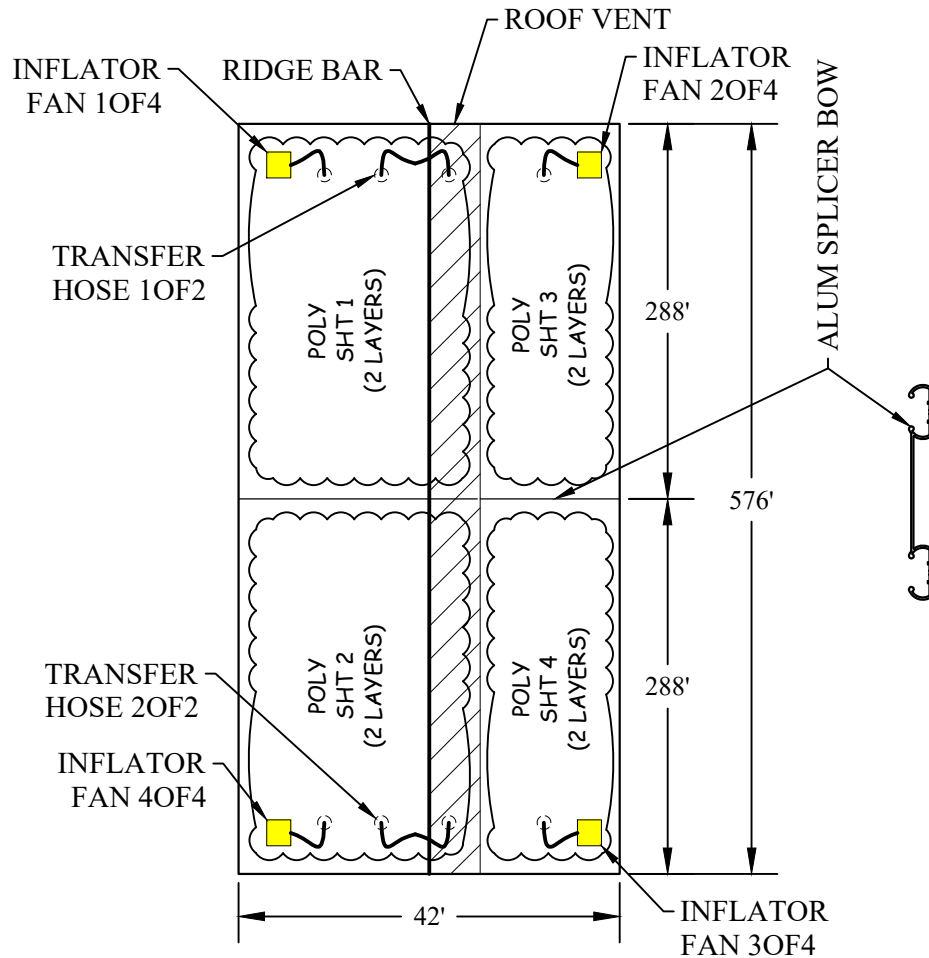
SAMPLE OF SINGLE 30' WIDE BAY X 132'



DETAIL 1B

SAMPLE OF SINGLE 30' WIDE BAY X 132'

LARGER
BUILDING



DETAIL 2

SAMPLE OF SINGLE 42' WIDE BAY X 576'