



Skipton Bike Locker

SELF ASSEMBLY INSTRUCTIONS

SFSM001

Before Assembly

It is important you have a level firm base for your unit. This should be constructed from concrete, tarmac or flags and be a minimum of 50mm (1.9") deep.

Stor Measurement
1012mm x 2055mm
(40" x 81")

Minimum base measurement
1250mm x 2300mm
(49" x 91")

YOU WILL NEED



Recommended:
Powerdriver
Silicone Sealant

RECORD YOUR KEY NUMBER HERE:

Door Alignment and Placement

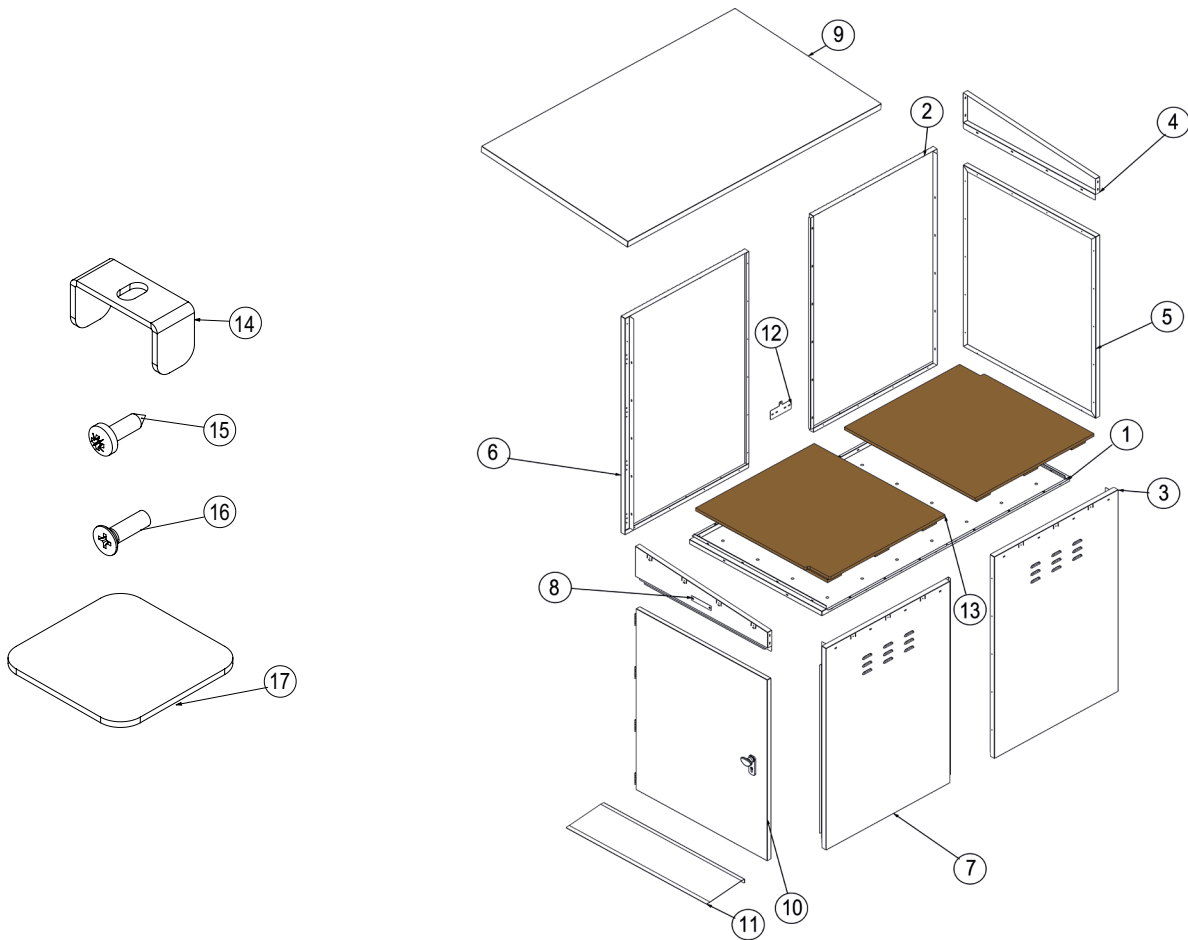
If you need the door to open on the reverse side this can be achieved by switching the back panel with the door panel, this will result in the door handle being upside down. Once assembly is completed following the guide provided, it is necessary to correctly level the unit using the packing pieces supplied.

Slide the packing pieces under the corners of the units base as required until an equal gap has been achieved around the doors allowing smooth operation.

Sealant

If required joints can be sealed with sealant. Apply a bead of sealant along the panels at each stage. Wipe away any excess sealant immediately with a damp cloth.

Please note: Part 12 the Electric Socket attachment can be fitted on the LH side of the unit by removing two screws from the side panels. It is compatible with BSS733 single pattresses 60.2mm and twin pattresses 120.6mm. This allows for charging inside the unit. When building your unit on a holiday park please check regulations on electricity to outdoor units first.

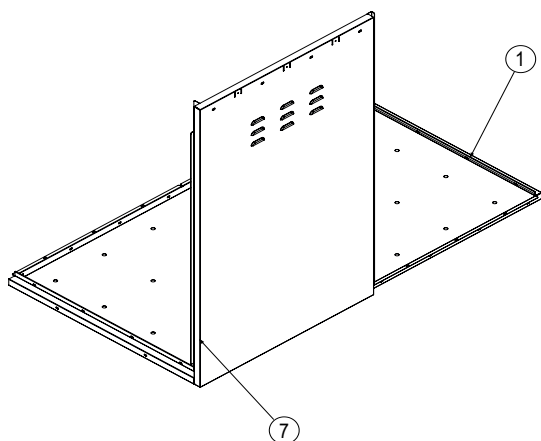


No.	Qty	Code	Description
1	x 1	KPF0675	BASE PANEL
2	x 1	SFSM001_E	REAR LH SIDE PANEL
3	x 1	KPF0680	REAR RH SIDE PANEL
4	x 1	KPF0684	BACK FASCIA PANEL
5	x 1	KPF0682	BACK PANEL
6	x 1	SFSM001_D	FRONT LH SIDE PANEL
7	x 1	KPF0681	FRONT RH SIDE PANEL
8	x 1	SFSM001_F	FRONT FASCIA PANEL
9	x 1	KPF0676	ROOF PANEL

No.	Qty	Code	Description
10	x 1	SFSM001_A	DOOR ASSEMBLY
11	X1	KPF0687	RAMP
12	x 1	KPF0688	SOCKET ATTACHMENT
13	x 2	SFSM001_001	FLOORING
14	x 20	KPF0338	ROOF BRACKETS
15	x 122	NBW4013	SELF TAPPER SCREWS
16	x 12	NBW7000	COUNTER SUNK SCREWS
17	x 10	KPF0397	PACKING PIECES

STEP 1

15 X 7

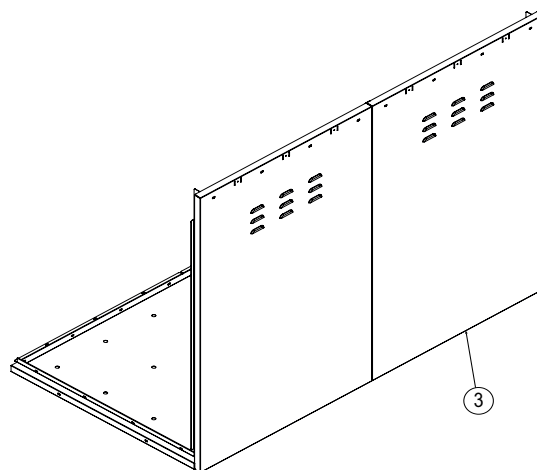


Position Front RH (right hand) side panel (7) into the groove on the Base panel (1) ensuring the holes are aligned.

One person should hold the panels, whilst, the other screws the panels together using Self Tapper screws (15). All screws should go in from the inside of the unit.

STEP 2

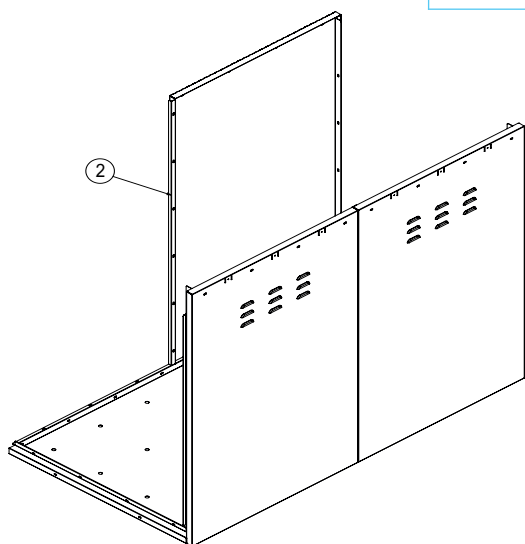
15 X 18



Position Rear RH (right hand) side panel (3) into the groove on the base panel (1) and the already fixed Front RH (right hand) side panel (7), ensure the holes are aligned and screw together.

STEP 3

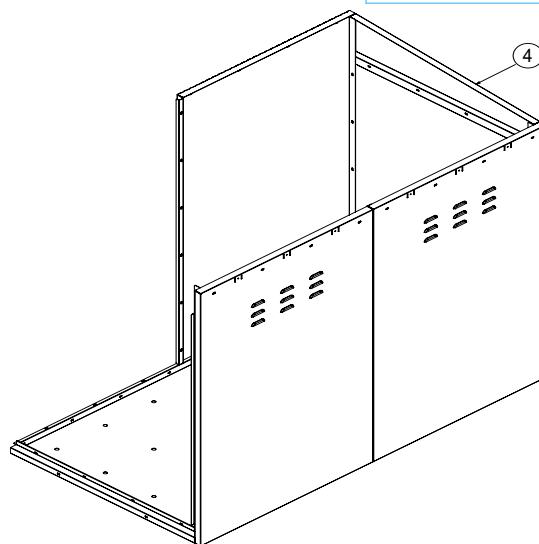
15 X 7



Position Rear LH (left Hand) side panel (2) into the groove on base panel (1) and opposite the already fixed Rear RH side panel (3). Ensure the holes are aligned and screw together.

STEP 4

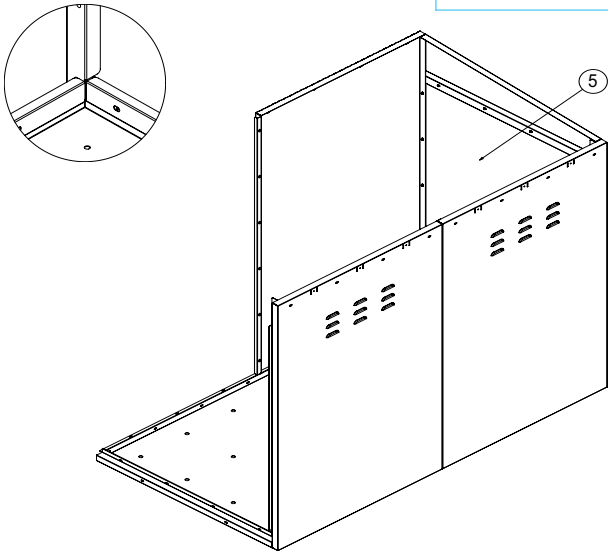
15 X 4



Position Back Fascia panel (4) between the two Rear side panels (2) and (3) at the top of the unit. Ensure the holes are aligned and loosely screw together, creating a gap for the back panel.

STEP 5

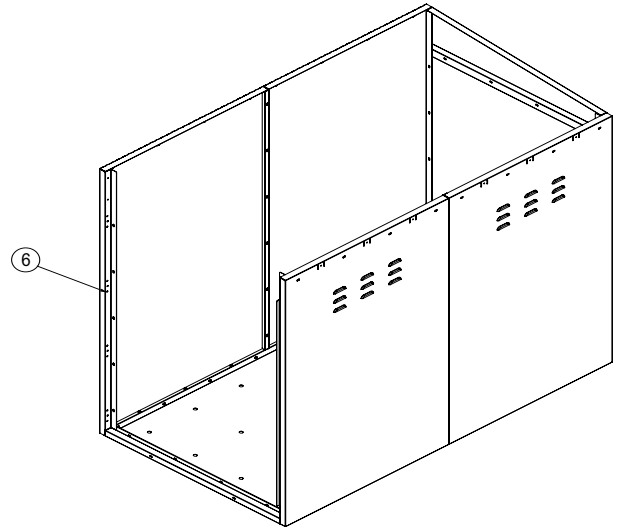
15 X 18



Position Back panel (5) into the groove on the base panel (1), between the side panels (2) and (3), and under the Back Fascia panel (4). Ensure the holes along all four sides are aligned and screw together, tighten the screws for the Back Fascia panel.

STEP 6

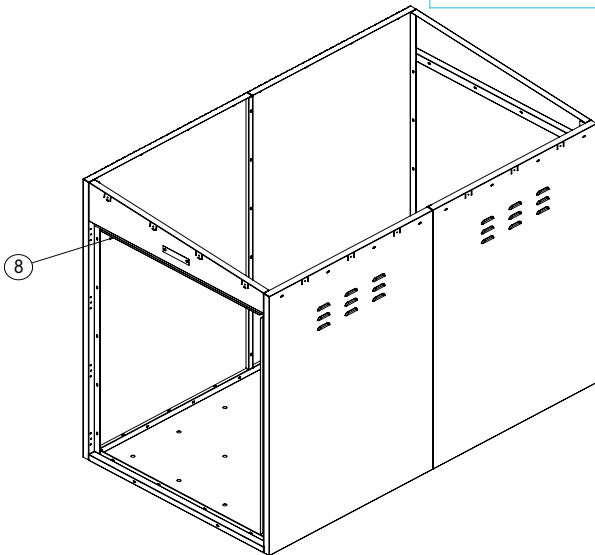
15 X 18



Position Front LH side panel (6) into the groove on the base panel (1) and Rear LH side panel (2). Ensure the holes are aligned and screw together down the full length of the vertical joint and across the base.

STEP 7

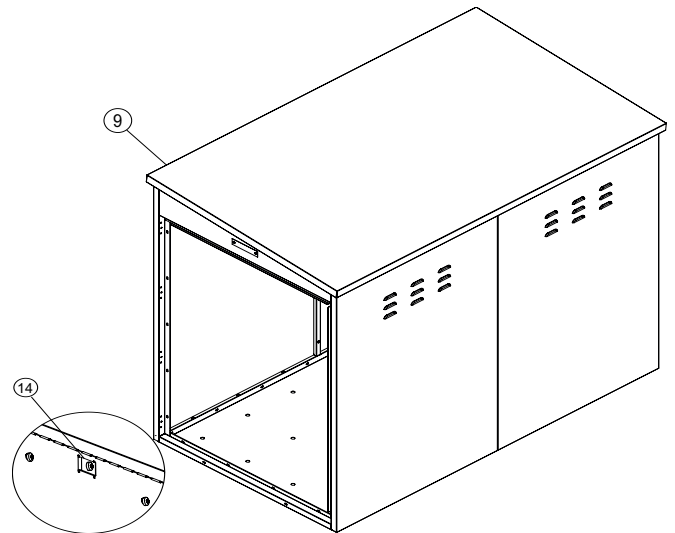
15 X 4



Attach the Fascia panel (8) across the front of the unit as pictured. Screw into both the Front side panels (6) and (7).

STEP 8

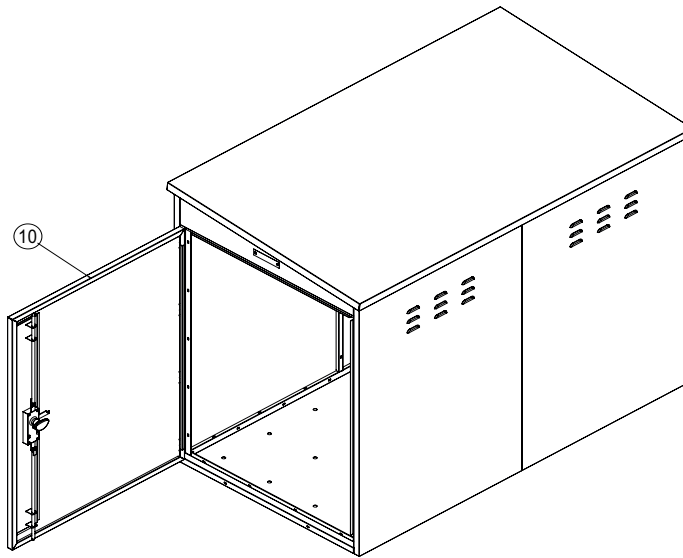
15 X 44



Lift the Roof panel (9) onto the unit, covering the other panels and fascia panels. Screw into place using the single screw holes. Fit the Roof security brackets (14) in the pair of slots on the top of each of the panels, each bracket is fitted with a single screw.

STEP 9

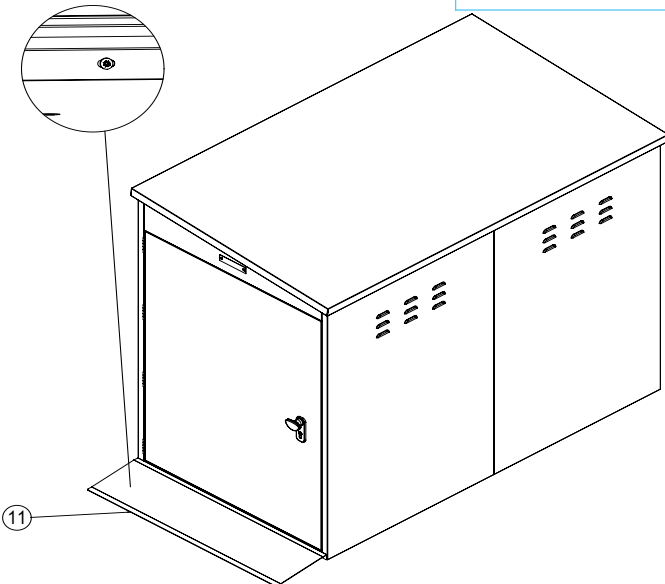
16 X 12



Support the door at all times whilst fitting the counter sunk screws 16 to ensure correct alignment, always use a hand held screwdriver. Position the Door 10 so that the hinges are aligned with the fixing holes, screw together.

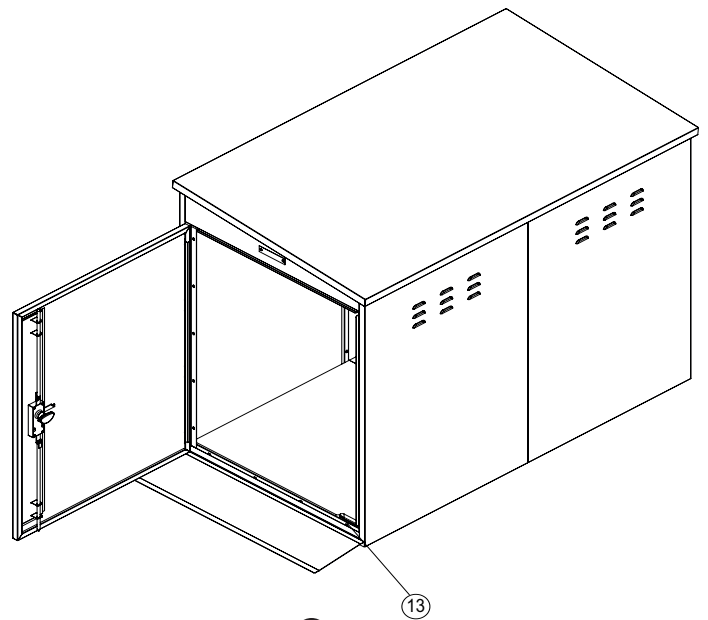
STEP 10

15 X 2



Align the Ramp 11 with the holes below the door and screw into place from the inside of the unit using Self tapper screws 15.

STEP 11



Finally slot the Wooden flooring 13 into place ensuring that the cut out is at the front near the locking mechanism.