

# Powr-Flite®

## PF82HF PARTS LIST

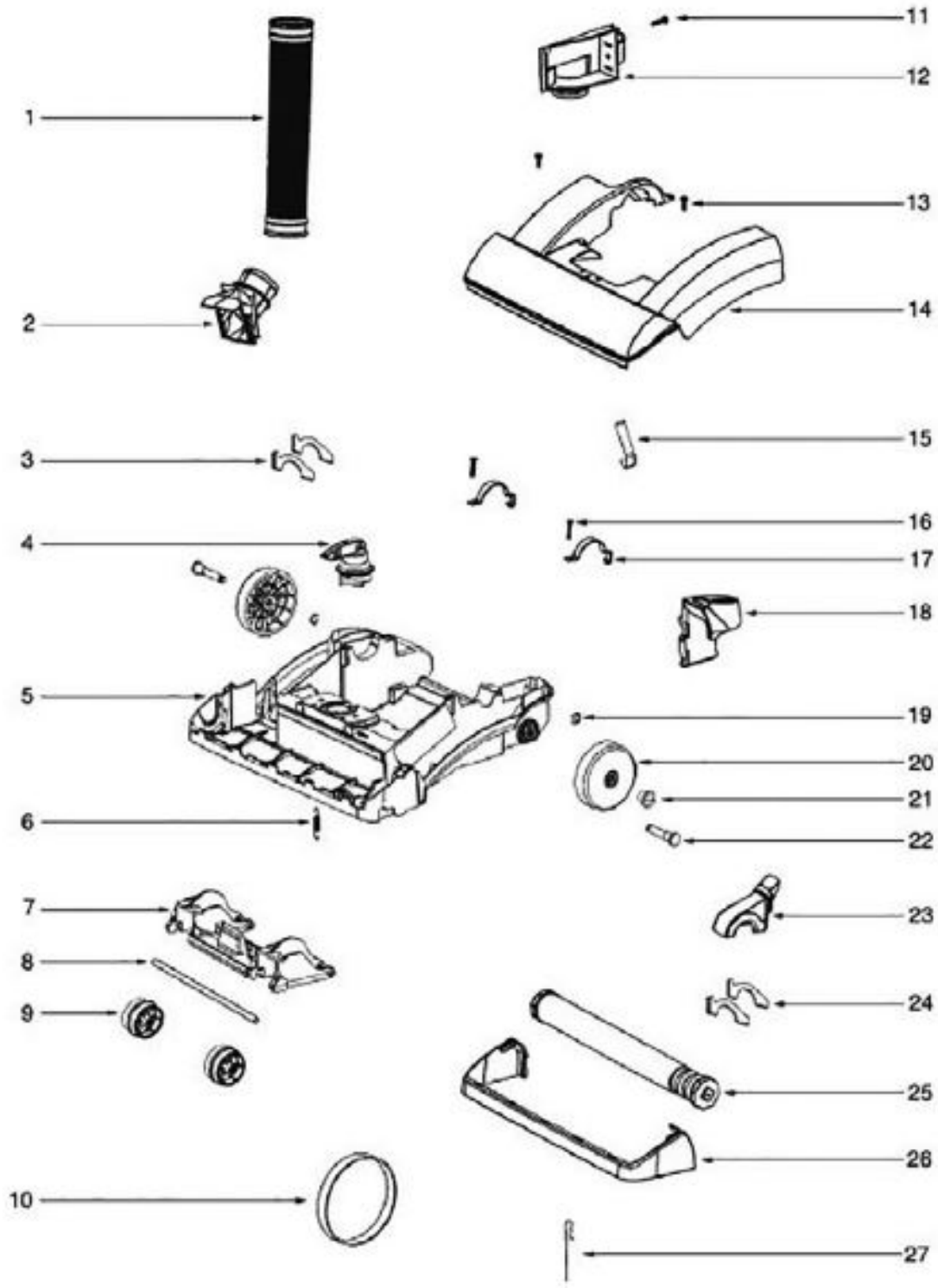


**WARNING: OPERATOR MUST READ AND UNDERSTAND THIS MANUAL COMPLETELY BEFORE OPERATING THIS EQUIPMENT.**

**Save These Instructions**

# SCHEMATICS - PARTS LISTS

## PF82HF BASE & HOOD

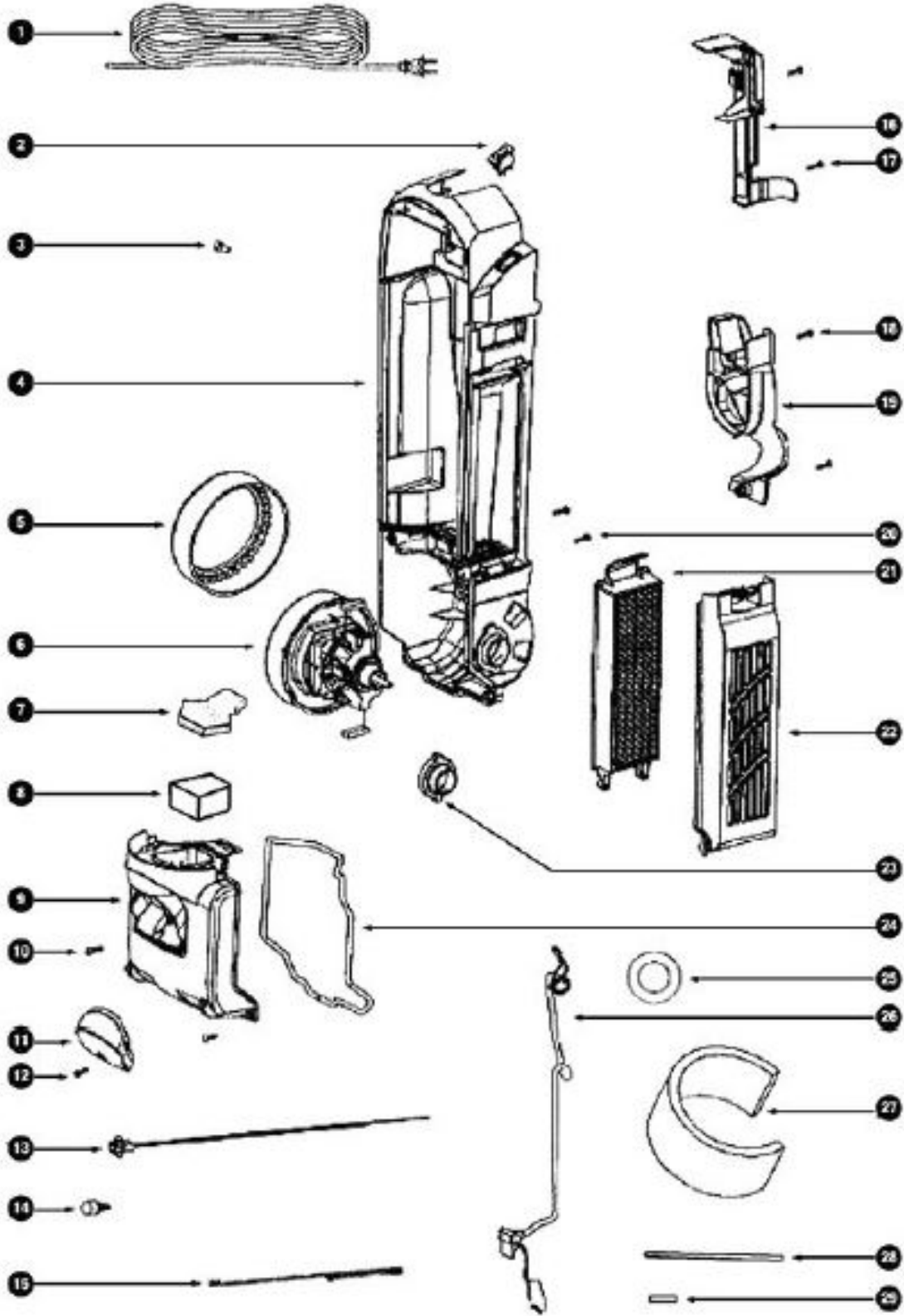


## SCHEMATICS - PARTS LISTS

| No.       | Part No. | Qty | Description            |
|-----------|----------|-----|------------------------|
| 1         | ER139    | 1   | Hose Assembly          |
| 2         | ER139    | 1   | Hose Assembly          |
| 3         | N/A      | 2   | Base Felt              |
| 4         | ER222    | 1   | Height Adjustment Knob |
| 5         | ER224    | 1   | Base                   |
| 6         | X1844    | 1   | Spring                 |
| 7         | ER225    | 1   | Wheel Carriage         |
| 8         | ER226    | 1   | Front Axle             |
| 9         | ER228    | 2   | Front Wheel            |
| 10        | 09.024   | 1   | Belt                   |
| 11        | ER230    | 2   | Screw                  |
| 12        | ER139    | 1   | Hose Assembly          |
| 13        | ER230A   | 2   | Screw                  |
| 14        | X1845    | 1   | Hood Assembly          |
| 15        | ER232    | 1   | Handle Release Spring  |
| 16        | ER230    | 2   | Handle Screw           |
| 17        | ER455    | 2   | Motor Clamp            |
| 18        | ER235    | 1   | Handle Release         |
| 19        | 59.084   | 2   | Retaining Ring         |
| 20        | ER236    | 2   | Rear wheel             |
| 21        | ER237    | 2   | Axle Bushing           |
| 22        | 59.095   | 2   | Rear Axle              |
| 23        | ER215    | 1   | Belt Cap               |
| 24        | N/A      | 2   | Belt Cap Felt          |
| 25        | 10.173   | 1   | Brushroll Assembly     |
| 26        | N/A      |     | Included w/#14         |
| 27        | N/A      | 1   | Belt Guard             |
| Not Shown | N/A      |     | Dampner End Cap (LH)   |
| Not Shown | N/A      |     | Dampner End Cap (RH)   |

# SCHEMATICS - PARTS LISTS

## PF82HF MAIN BODY

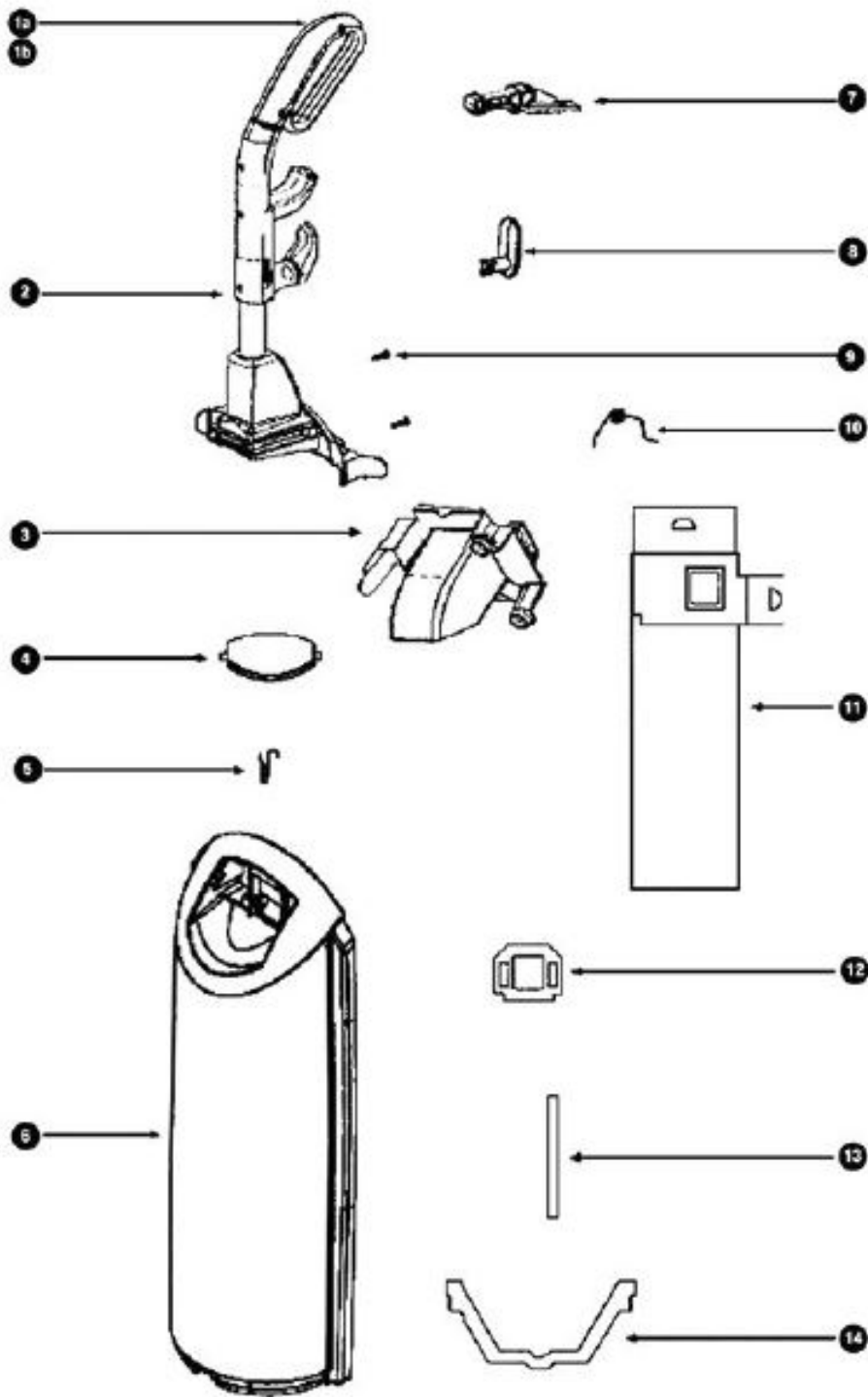


## SCHEMATICS - PARTS LISTS

| No. | Part No. | Qty | Description                 |
|-----|----------|-----|-----------------------------|
| 1   | ER269    | 1   | Supply Cord & Terminal Assy |
| 2   | ER276    | 1   | Rocker Switch               |
| 3   | N/A      | 2   | Wire Splice 5               |
| 4   | ER278    | 1   | Rear Housing Assembly       |
| 5   | N/A      | 1   | Gasket Included w/#6        |
| 6   | ER279A   | 1   | Motor Assembly              |
| 7   | N/A      | 1   | Gasket                      |
| 8   | X1856    | 1   | Filter - Pre-Motor          |
| 9   | ER281    | 1   | Motor Cover                 |
| 10  | ER230    | 2   | Screw                       |
| 16  | ER284    | 1   | Switch Cover                |
| 17  | ER230    | 2   | Screw                       |
| 18  | ER230    | 1   | Screw                       |
| 19  | ER318    | 1   | Lower Tool Pack             |
| 20  | ER230    | 2   | Screw                       |
| 22  | ER286    | 1   | Filter Cover                |
| 23  | N/A      | 1   | Included w/#6               |
| 24  | N/A      | 1   | Motor Cover Gasket          |
| 25  | N/A      | 1   | Motor Hub Gasket            |
| 26  | X1858    | 1   | Thermostat 110 Deg.         |
| 27  | ER263    | 1   | Sound Foam                  |

# SCHEMATICS - PARTS LISTS

## PF82HF HANDLE & BAG COVER

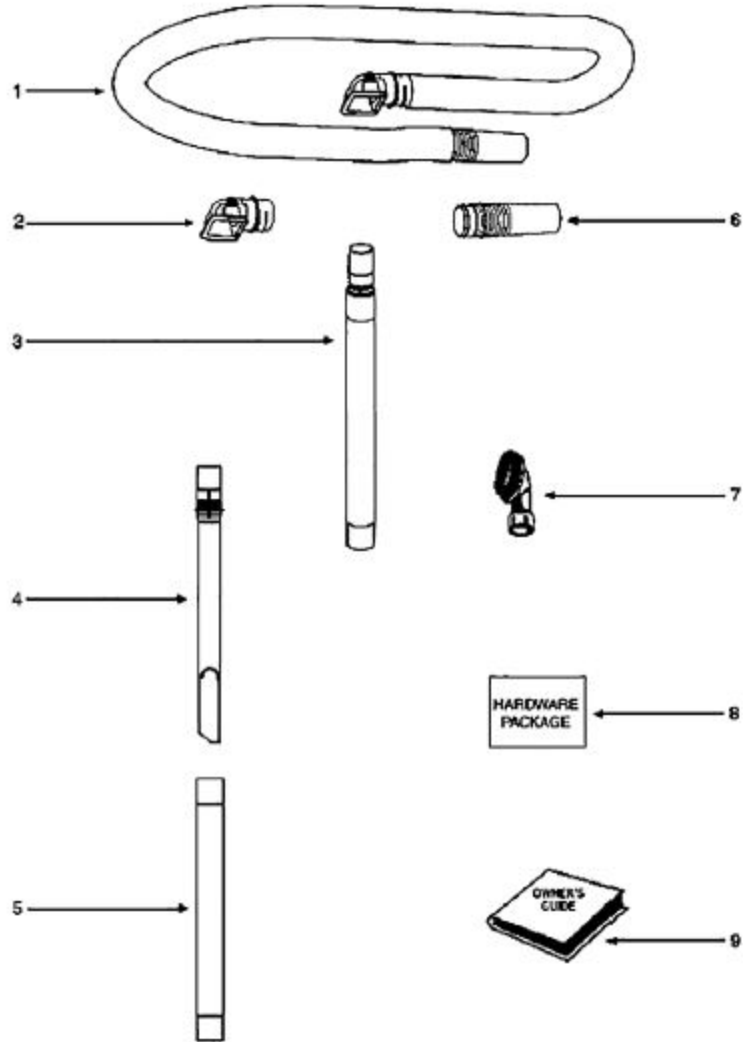


## SCHEMATICS - PARTS LISTS

| No. | Part No. | Qty | Description           |
|-----|----------|-----|-----------------------|
| 1a  | N/A      | 1   | Left Handle Grip      |
| 1b  | N/A      | 1   | Right Handle Grip     |
| 2   | ER292    | 1   | Upper Handle Assembly |
| 3   | ER293    | 1   | Clip Adapter          |
| 4   |          | 1   |                       |
| 5   | ER294    | 1   | Spring                |
| 6   | ER295    | 1   | Bag Cover Assembly    |
| 7   | N/A      | 1   | Bag-In-Place Arm      |
| 8   | ER251    | 1   | Cord Hook             |
| 9   | ER230A   | 1   | Handle Screw          |
| 10  | ER301    | 1   | Spring                |
| 11  | ER419    | 1   | Bag (3 pack)          |
| 12  | ER310    | 1   | Adapter Gasket        |
| 13  | N/A      | 1   | Gasket                |
| 14  | N/A      | 1   | GasketCyclone         |

# SCHEMATICS - PARTS LISTS

## PF82HF ACCESSORIES





## SCHEMATICS - PARTS LISTS

| No. | Part No. | Qty | Description           |
|-----|----------|-----|-----------------------|
| 1   | ER180    | 1   | Hose Assembly         |
| 2   | ER187    | 1   | Hose Adapter          |
| 3   | ER181    | 1   | Nesting Wand Assembly |
| 4   | ER182    | 1   | Crevice Wand          |
| 5   | N/A      | 1   | Included w/#3         |
| 6   | ER279    | 1   | Hose Coupling         |
| 7   | ER186    | 1   | Combination Bursh     |
| 8   | N/A      | 1   | Hardware Package      |

For warranty information go to [www.Powr-Flite.com](http://www.Powr-Flite.com)

***Powr-Flite***<sup>®</sup>

A Tacony Company

3101 Wichita Court • Fort Worth, TX 76140-1755  
1-800-880-2913 • Fax: 1-817-551-0719