

Powr-Flite®

OPERATOR'S MANUAL & PARTS LIST

175 RPM, 1 HP models - C131-7 C171, C201

175 RPM, 1.5 HP models - C171HP, C201HP

Sander, 175 RPM, 1.5 HP models - C171SD

175 - 320 RPM, 1.5 HP models - C202



**WARNING: OPERATOR MUST READ AND UNDERSTAND THIS MANUAL
COMPLETELY BEFORE OPERATING THIS EQUIPMENT.**

Save These Instructions

Your new Powr-Flite floor machine will afford you many years of trouble-free operating satisfaction provided it is given proper care. Prior to packaging, your Powr-Flite floor machine was inspected by a Quality Control Technician.

UNCRATING

Your Powr-Flite floor machine was protectively packed to prevent damage in shipment. We suggest that upon removing the unit from its carton, you carefully inspect it for any possible damage in transit. If damage is discovered, immediately notify the transportation company who delivered your machine. As a manufacturer, we are unable to act upon any claim for concealed damage; you must originate the claim.

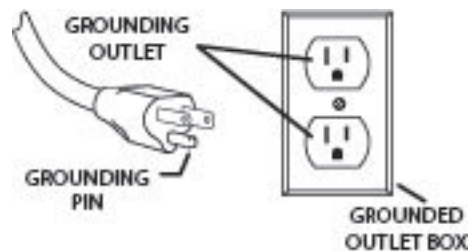
IMPORTANT SAFEGUARDS

This machine is designed to be safe when used to perform the functions specified in this Operator's Manual. Should damage occur to electrical or mechanical parts, Prior to further use, the machine should be repaired by the manufacturer or competent service center to avoid further damage to the machine or physical injury to user. Your floor machine is equipped with a safety switch lockout device designed for your safety. Do not attempt to bypass or defeat the safety lockout device. Never use any device to lock the power switch triggers in the ON position.

This appliance must be grounded. If it should malfunction or breakdown, grounding provides a path of least resistance for electric current to reduce the risk electric shock. This machine is equipped with a cord having an equipment -grounding conductor and grounding plug. The plug must be inserted into an appropriate outlet that is properly installed and grounded in accordance with all local codes and ordinances.

WARNING: Improper connection of the equipment-grounding conductor can result in a risk of electric shock. Check with a qualified electrician or service person if you are in doubt as to whether the outlet is properly grounded. Do not modify the plug provided with the appliance - if it will not fit the outlet, have a proper outlet installed by a qualified electrician.

This appliance is for use on a nominal 115-volt circuit, and has a grounding plug that looks like the plug illustrated in sketch A



A



PROTECT THE ENVIROMENT
Please dispose of packaging materials in an enviromentally safe way according to local waste disposal regulations.



Always remember to recycle.

IMPORTANT SAFETY INSTRUCTIONS

READ AND UNDERSTAND ALL INSTRUCTIONS BEFORE USING THIS UNIT

Read and understand this owner's manual and all labels on the unit before operating. Safety is a combination of common sense, staying alert and knowing how your unit works. Use this unit only as described in this manual. Use only manufacturer's recommended attachments. To reduce the risk of personal injury or damage to your unit use only recommended accessories.

WARNING: The operator must have training in the operation of this machine before using it.

WARNING: Machines can burn flammable materials and vapors. Do not use this machine with or near fuels, grain dust, solvents, thinners or other flammable materials.

WARNING: Do not operate this machine unless it is completely assembled.

WARNING: Do not use this machine as a step or to move furniture.

WARNING: When disconnecting power cord from electrical outlet, grasp the plug. Pulling it out by the cord itself can damage cord insulation and internal connection to plug. To prevent electric shock, always remove the electrical plug from the electrical outlet before doing any repairs or maintenance to this machine.

WARNING: To prevent injury, always remove the electrical plug from the electrical outlet before changing the polishing pad and before leaving the machine.

WARNING: To prevent injury, keep hands, feet and loose clothing away from the rotating pad.

WARNING: Maintenance and repairs must be done by authorized personnel only.

WARNING: Keep all fasteners tight. Keep adjustments according to specifications.

WARNING: Keep the electrical parts of the machine dry. For storage, keep the machine in a building.

WARNING: Always use a three-wire electrical system connected to the electrical ground. For maximum protection against electric shock, use a circuit that is protected by a ground fault circuit interrupter. Consult with your electrical contractor.

WARNING: To prevent damage to the power cord, do not let the pad, pad driver or wheels touch the power cord when the machine is running. Always lift the power cord over the machine.

WARNING: Make sure all labels, decals, warning, cautions and instructions are fastened to the machine.

WARNING: Do not leave machine running unattended.

FLOOR MACHINE APPLICATIONS

- Spray buffing with red spray buff pad and spray buff chemical.
- Dry buffing a buffable finish with a tan, beige or white pad or brush.
- Scrubbing with green or blue pad or scrubbing brush.
- Stripping with a black pad and a stripping chemical.

1.5 HP MODELS ON CARPET

- Bonnet cleaning with a yarn bonnet and carpet maintainer chemical.
- Shampooing using a showerfeed shampoo brush and solution tank mounted to the handle tube containing carpet shampoo.

1.5 HP MODELS

- Scraping with an attachment tool to remove heavy industrial deposits and residue or to prepare a foundation for installation of carpet.
- Wire brushing of concrete floors.
- Sanding with very aggressive sandpaper or sand screen discs.
- Carpet restoration where shampooing & pile lifting require very stiff brush bristles.

PREPARING THE MACHINE

To attach the drive block or brush or other attachment, be sure the handle is “locked” in the upright position. Lay the floor machine on its back with the handle lying on the floor, this exposes the driving plate on the underside of the floor machine. Holding the drive block, brush or attachment in both hands and straddling the motor with your back to the handle box, bend over and fit the three slots of the clutch plate (built into the back of the brush) over the three lugs of the driving plate. Turn the drive block, brush or attachment counter-clockwise as far as it will go until it is seated in the ready-to-use position.

CAUTION: This is the only proper way to install a drive block, brush or attachment. NEVER put a drive block, brush or attachment on the machine by placing it on the floor and moving the running machine over it, or by placing the machine over the block or attachment and then starting the motor.

Return the floor machine to upright position and adjust handle to operating position.

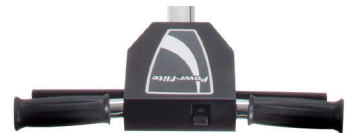
Recommended handle position is close to the waist with arms extended down. Lock the cam release lever into position.

NOTE: The hardened steel cam release lever does not require extreme tightening to effectively hold the handle in position. Over-tightening will shorten the functional life of the lever. To remove drive block, brush or attachment: Lay the floor machine on its back again and disengage clutch plate slots from driving plate lugs by turning clockwise.

HOW TO OPERATE THE MACHINE

First install the pad driver and pad, brush or other attachments to be used. Plug the machine in as directed and lower the handle to the desired operating height and lock in place using the cam lever handle. Push the safety switch forward and squeeze the switch triggers beneath the handle grips. This activates the motor and starts the block, brush or attachment in operation. Each time you release the triggers the safety switch will reset. You will need to follow the direction above to restart the machine.

CAUTION: When leaving the machine unattended, disconnect the wall plug and return the handle to the “locked” upright position to prevent accidental starting.



TO GUIDE YOUR FLOOR MACHINE

To Right: raise handle slightly. The higher the handle is lifted, the faster the machine will move to the right. To Left: to change direction, lower the handle until the machine travels to the left. The more the handle is lowered, the faster the movement to the left.

TRANSPORTING THE MACHINE

Place the handle in the upright position. Lock the handle cam release lever. Tip the machine back and transport on the wheels.

MAINTENANCE

Once a month remove the motor cover and vacuum out any dust or debris which has accumulated on the motor. Replace the motor cover by setting it over the holes in the housing and replace all of the screws. Check and maintain the tightness of all the fasteners.

WARNING: Do not over-tighten the switch housing screws.

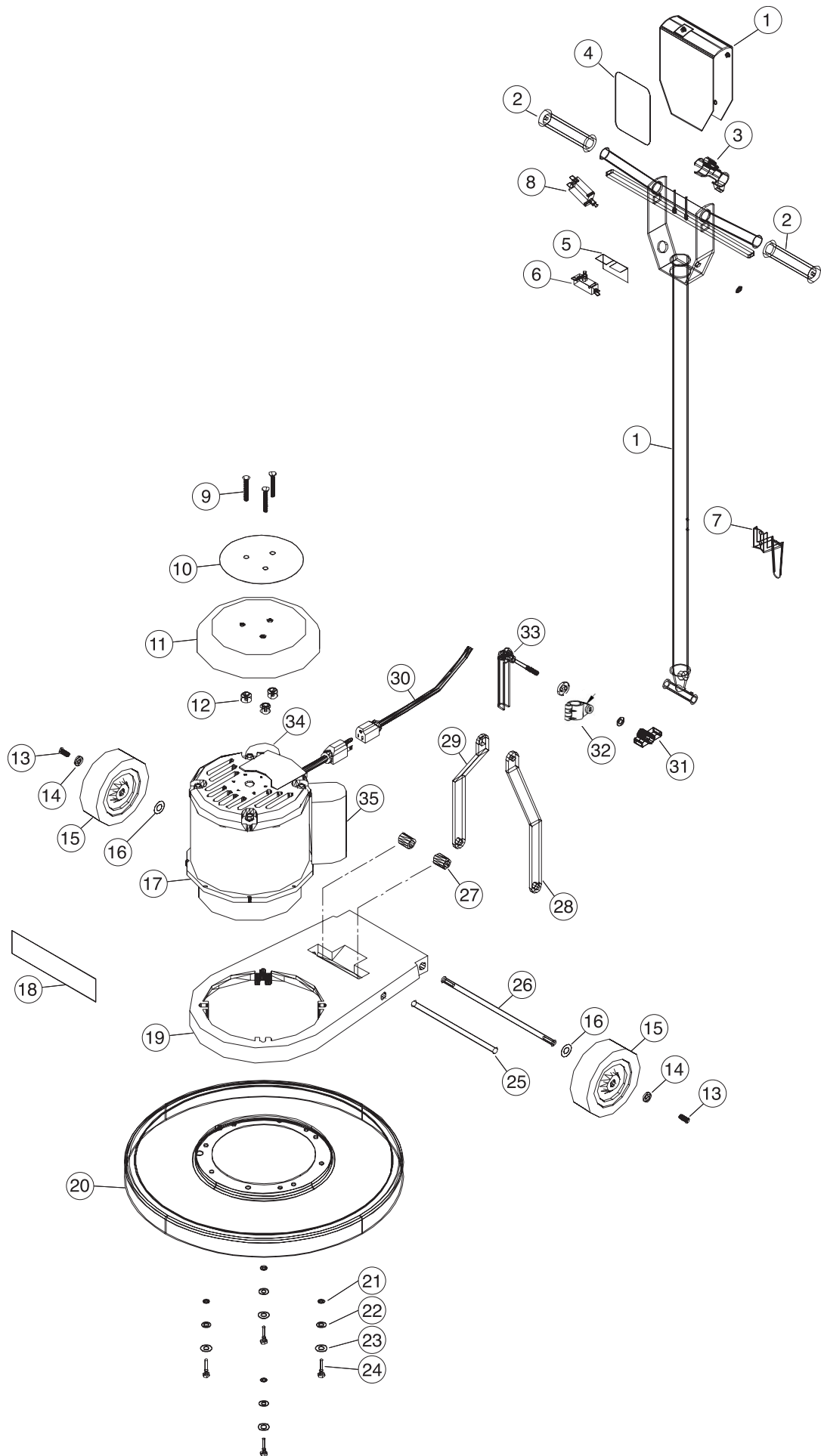
Keep the machine clean especially at the handle tube and collar so the handle tube will move freely through the collar. Inspect the cord for cuts, gashes, or loose prongs; replace as needed. Disassembly of this motor voids the warranty. Improper disassembly and assembly of this motor can permanently damage the field or rotor.

TROUBLESHOOTING

Problem	Possible Cause
Machine will not start	Circuit breaker is not reset. Reset breaker. Plug is broken or has a loose contact. Replace. Circuit breaker is defective or weak. Replace. Switch is defective. Replace switch.
Machine will not reach operating speed	Over drawn circuit. Unplug anything other than the machine from the circuit or locate another circuit.
Motor runs but pad or brush does not turn	Coupling is broken. Replace. Coupling is not covered under warranty. Do not attempt to place a running machine over a block or brush. Always install and remove the block or brush by hand.

Prevent circuit overload.

Check the pad and change it if it is rough or dirty. Spray buffing or spray cleaning is not a substitute for scrubbing or mopping a floor. Prepare the floor surface before spray buffing. Eliminate any extension cord that is smaller than 12/3 wire or greater than 25 feet in length. Unplug anything other than the machine from the circuit or locate another circuit.



Ref	Part #	Qty	Description
1	X8911	1	Handle
	M8600-3		Handle assembly (includes #1 through #7)
2	X8941	2	Handle grip 1" diameter
3	X8914	1	Thumb switch actuator
4	X8927	1	Label Logo, Metal handle
5	X8923	1	Insulation sheet
6	F5P	1	Momentary Switch 25 Amp
7	X8013	1	Cord hook
8	X8023	1	Circuit Breaker, 15 Amp. C131-7, C171, C201
	X8023A	1	Circuit Breaker, 17 Amp. C171HD, C201HD
9	X8266	3	Screw 10-32 x 3/4"
10	X8412-C	1	Label 13" 1HP 175 RPM
	X8982	1	Label 17" 1HP 175 RPM
	X8983	1	Label 20" 1HP 175 RPM
	X8984	1	Label 17" 1-1/2HP 175 RPM
	X8985	1	Label 20" 1-1/2HP 175 RPM
	X9101	1	Label Dual Speed C202
11	X8965	1	Motor cover
12	X8106	3	Motor Cover Spacer
13	X8265	2	Screw 1/4-20 x 3/4"
14	X8020	2	Washer
15	X8024	2	Wheel, Black, 5" x 1-1/4"
16	X8101	4	Spring Washer
17	X8980	1	Motor 1-1/2 HP 120/240v 60hz C171HD, C201HD
	X8981	1	Motor 1 HP 120/240v 60hz C131-7, C171, C201
	X8071-TI	1	Motor Assembly 2 Speed C202
18	X8400A	1	Powr-Flite Label
19	X8966	1	Motor Base
20	X1149	1	Brush Cover and Bumper 13"
	X8967A	1	Brush Cover and Bumper 17"
	X8968A	1	Brush Cover and Bumper 20"

Ref	Part #	Qty	Description
21	X8212	4	Washer
22	X8218	4	Washer
23	X8219	4	Washer
24	72455A	4	Screw 1/4-20 x 1-3/4"
25	X8977	1	Pivot Pin
26	X9575	1	Axle
27	X8107	2	Handle Spacer
28	X8807L	1	Handle Brace, Left w/ Slot
29	X8807R	1	Handle Brace, Right w/ Hole
30	X8989	1	Cord 14/3 SJTW 51.25" Black
31	X8016	1	Plastic Handle Clamp Knob
32	X1456	1	Handle Lock Clamp
33	X1184	1	Cam Lever Assembly (Includes X8016 and Washers)
NOT ILLUSTRATED			
	X9049	1	Motor Screen 2 Speed C202
	X9050	1	Motor Screen Spring 2 Speed C202
	PX7	1	Toggle Switch 2 Speed C202
	PX28	1	Toggle Switch Rubber Boot 2 Speed C202
	X8530	1	2 Speed Motor Control
	X8034-2	1	Rectifier
	M1369AS	1	Power Cord Assembly STW 14/3 50'

For warranty information go to www.Powr-Flite.com

Powr-Flite[®]

A Tacony Company

3101 Wichita Court • Fort Worth, TX 76140-1755
1-800-880-2913 • Fax: 1-817-551-0719