

Powr-Flite®

PARTS LIST

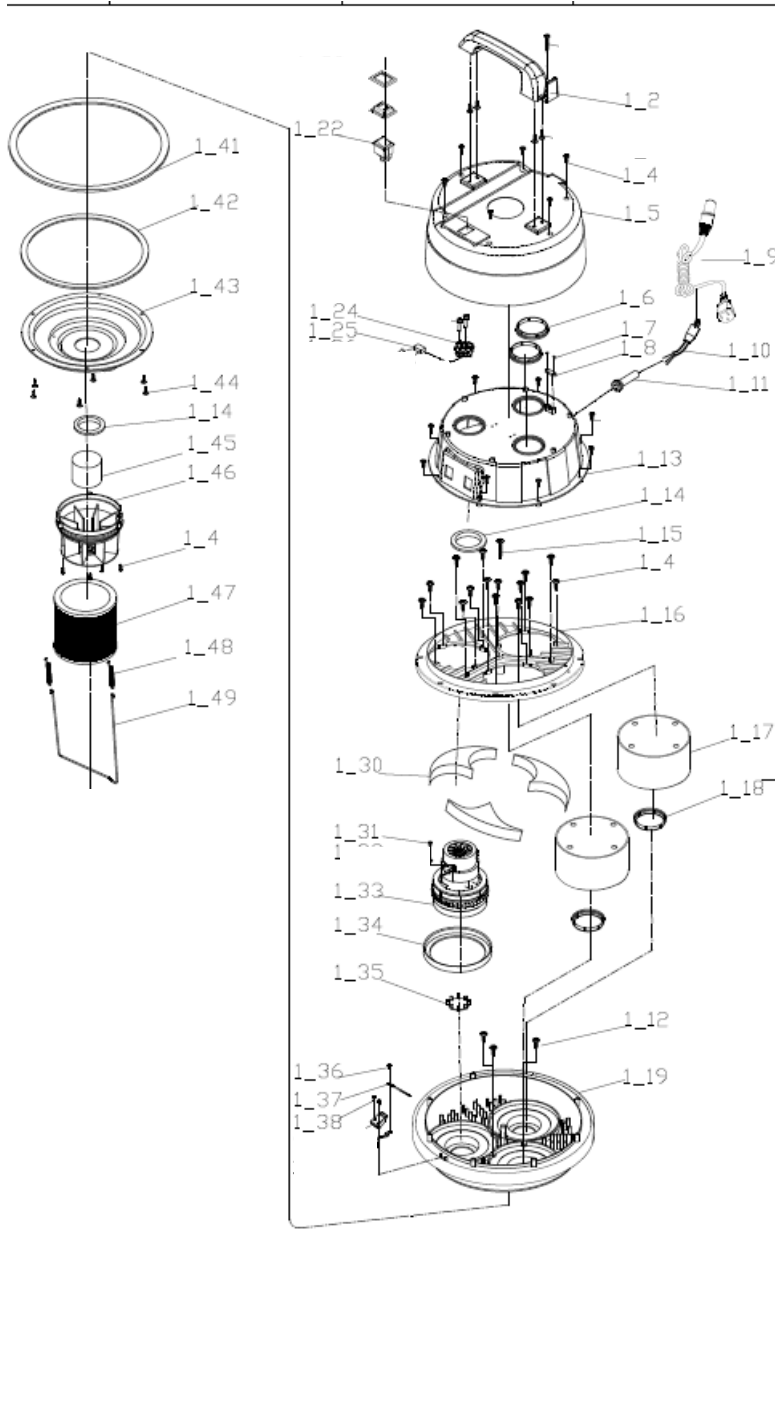
WET/DRY VACUUMS PF54, PF56, PF58



**WARNING: OPERATOR MUST READ AND UNDERSTAND THIS MANUAL
COMPLETELY BEFORE OPERATING THIS EQUIPMENT.**

PF54 SCHEMATICS - PARTS LISTS

Head Assembly



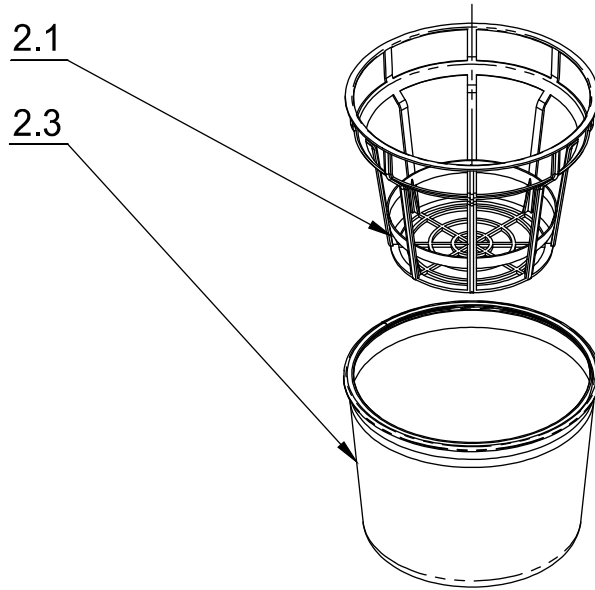
PF54 SCHEMATICS - PARTS LISTS

Head Assembly

No.	Part No.	Qty	Description
1.2	WD20A	1	Handle
1.4	3238DS-08	24	Screw M5 x 20
1.5	WD65	1	Top Cover
1.6	WD282	2	Bottom Block
1.7	3208DS-07	2	Screw M3.5 x 12
1.8	WD17	1	Wire Plate
1.9	WD66	1	Extension Cord
1.1	WD66C	1	Pig Tail
1.11	WD34	1	Strain Relief
1.13	WD16	1	Middle Seat
1.14	WD53	2	Gasket
1.16	WD14	1	Base
1.17	WD248	2	Blocker
1.18	WD83	2	Upper Blocker
1.19	WD11	1	Motor Seat
1.22	WD67	1	Switch
1.24	WD207	1	Terminal Block
1.25	3215BE-01	1	Capacitor
1.26	KK-01	2	Sleeve
1.3	WD56	3	Foam Gasket
1.31	3201DS-04A	1	Screw M4 x 10
1.33	WD15	1	Motor
1.34	WD68	1	Rubber Gasket
1.35	WD85	1	Stopper Plate
1.36	3208DS-07	1	Screw M3.5 x 12
1.37	5101BJ-01	1	Cable Tie
1.38	3200DS-02	2	Screw M3 x 8
1.41	WD210	1	Gasket
1.42	WD150	1	Gasket
1.43	WD10	1	Housing
1.44	3238DS-11	6	Screw M5 x 16
1.45	WD9	1	Float
1.46	WD8	1	Float Frame
1.47	WD36	1	Filter Cartridge
1.48	WD37	2	Spring
1.49	WD35	1	Hook

PF54 SCHEMATICS - PARTS LISTS

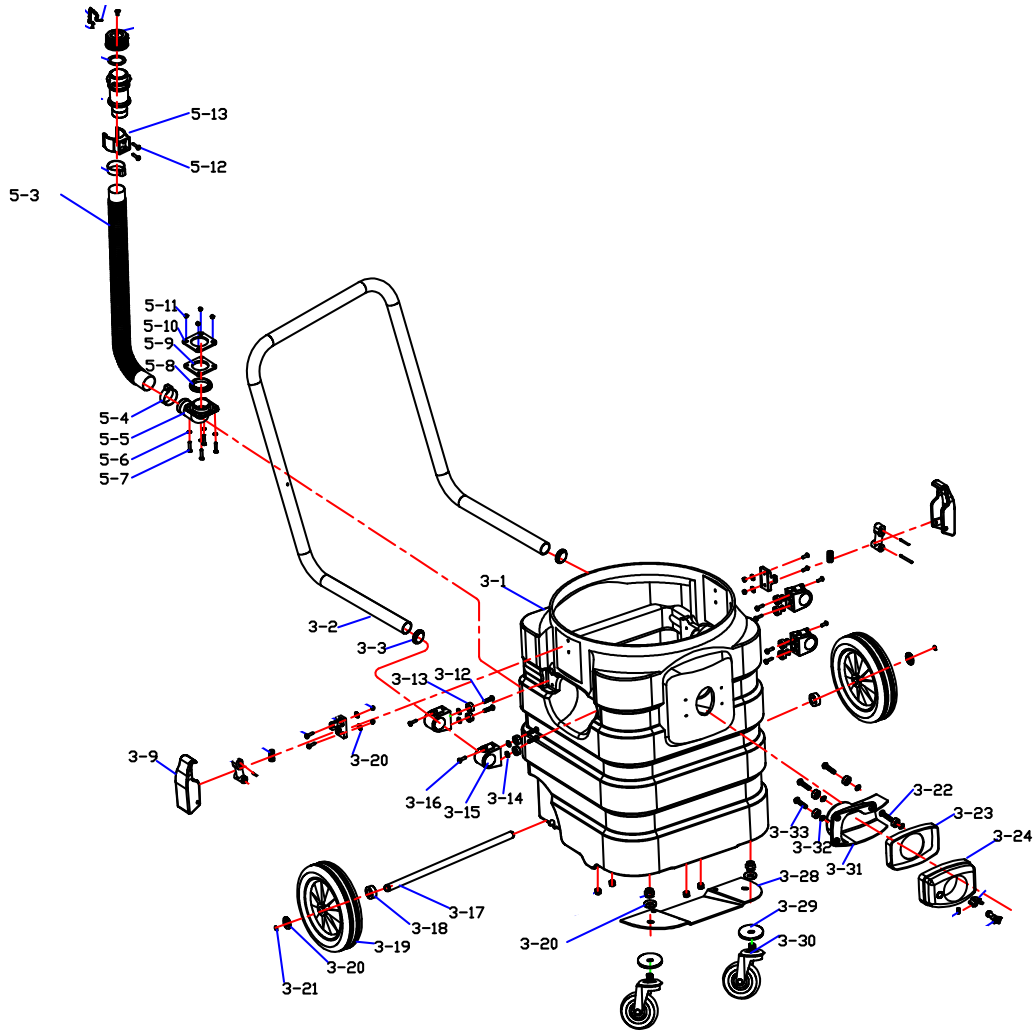
Filter Assembly



No.	Part No.	Qty	Description
2.1	WD7	1	Filter Frame
2.3	WD3	1	Filter and Gasket

PF54 SCHEMATICS - PARTS LISTS

Tank Assembly



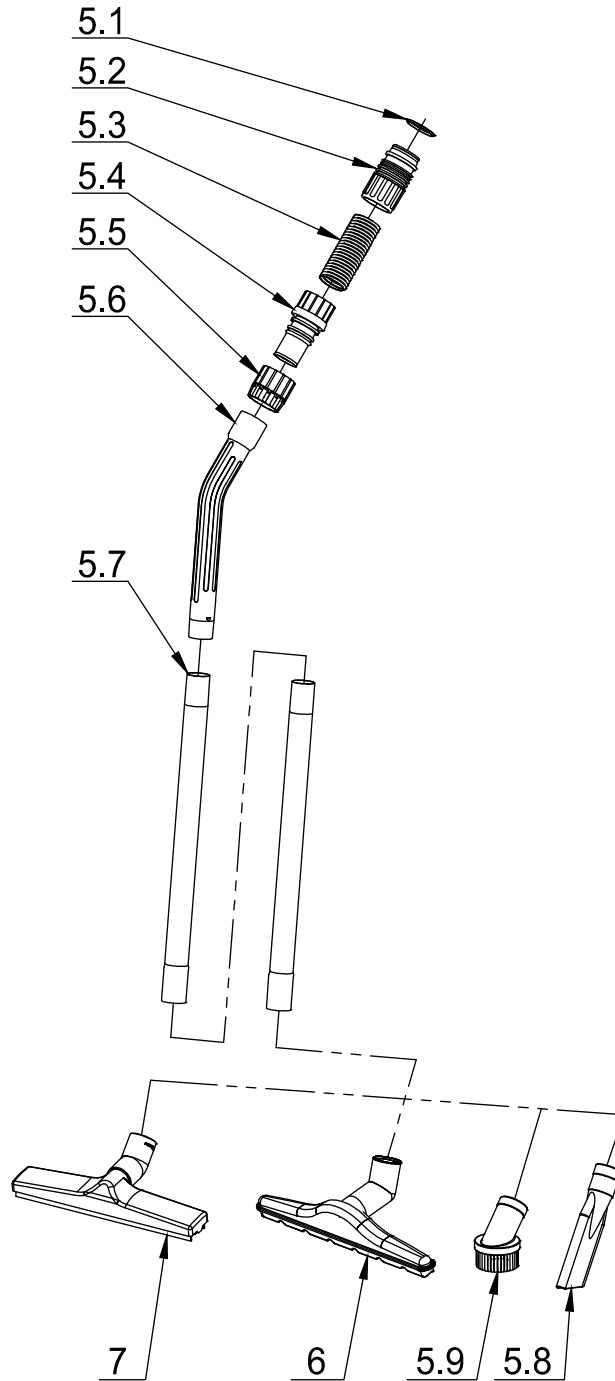
PF54 SCHEMATICS - PARTS LISTS

Tank Assembly

No.	Part No.	Qty	Description
3-1	WD120	1	Tank
3-2	WD132	1	Handle
3-3	WD133	2	Plug
3-9	WD43	2	Latch Assembly
3-12	3238DS-07	8	Screw M4 x 18
3-13	WD77	12	Spacer
3-14	WD76	12	Rubber Washer
3-15	WD72	4	Holder
3-16	3285DS-05	4	Screw M4 x 16
3-17	WD125	1	Axle
3-18	WD136	2	Bushing
3-19	WD124M	2	Rear Wheel
3-20	WD229	8	Washer
3-21	WD126	2	C-Ring
3-22	3238DS-06	1	Screw M5 x 25
3-23	WD50	1	Rubber Washer
3-24	WD45-Kit	1	Hose Coupler Kit
3-28	WD167	1	Wheel Mount Bracket
3-29	WD256	2	Washer
3-30	WD123M	2	Caster
3-31	3239AA-27	1	Deflector
3-32	WD76	4	Rubber Washer
3-33	3527DS-10	3	Screw M5 x 30
5-3	WD143	1	Complete Drain Hose Kit
5-4	WD190	1	Clamp
5-5	WD141	1	Bend Connector
5-6	3238DW-02	4	Washer
5-7	3527DS-11	4	Screw M4 x 26
5-8	WD187	1	Bottom Seal
5-9	WD188	1	Top Seal
5-10	WD189	1	Plate
5-11	WD44	4	Nut
5-12	3238DS-10	2	Screw M4 x 12
5-13	WD146	1	Holder

PF54 SCHEMATICS - PARTS LISTS

Hose and Accessories



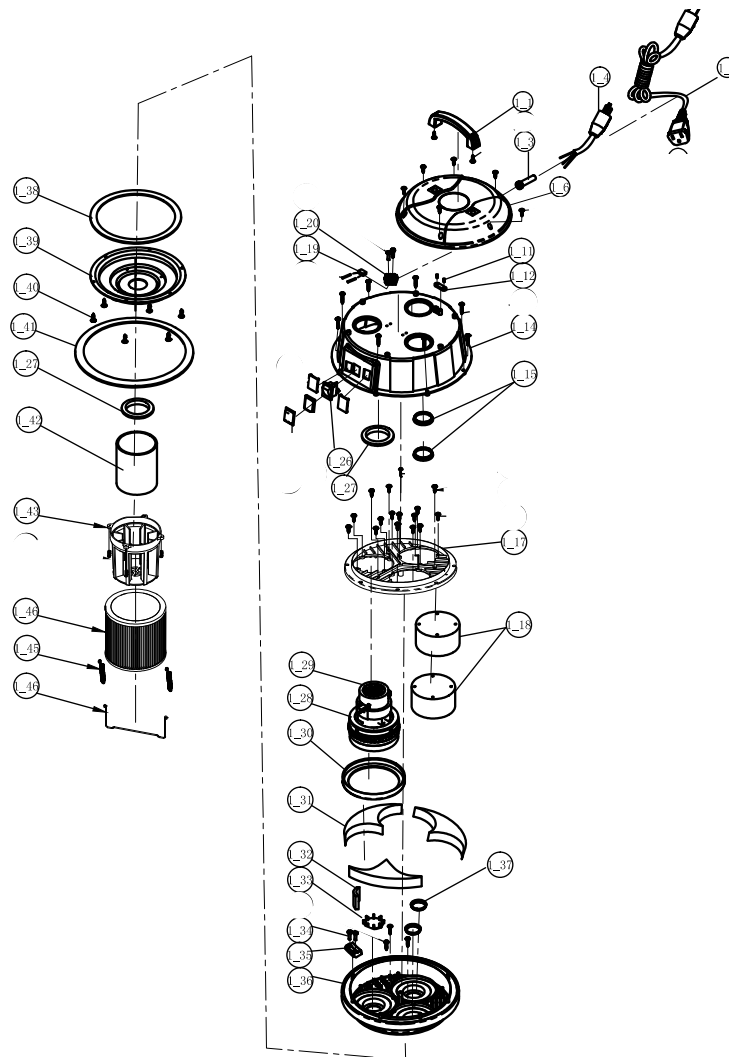
PF54 SCHEMATICS - PARTS LISTS

Hose and Accessories

No.	Part No.	Qty	Description
5.1	WD191	1	Seal
5.2	WD24	1	Hose Connector
5.3	WD25	1	Hose
5.4	WD26	1	Connector
5.5	WD27	1	Wand Holder
5.6	WD28	1	Bend Connector
5.7	WD29	2	Wand Section
5.8	WD32	1	Crevice Tool
5.9	WD33	1	Round Brush
6	WD30A	1	Squeegee Tool
7	WD112	1	Brush Nozzle Assembly

PF56 SCHEMATICS - PARTS LISTS

Head Assembly



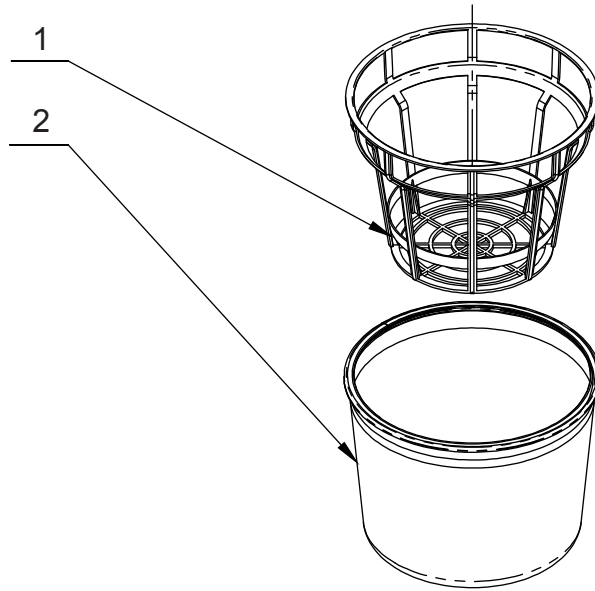
PF56 SCHEMATICS - PARTS LISTS

Head Assembly

No	Part No.	Qty	Description
1.1	WD20A	1	Handle
1.3	WD34	1	Strain Relief
1.4	WD66C	1	Pig Tail
1.5	WD66	1	Power Cord
1.6	WD65	1	Top Cover
1.11	3208DS-07	2	Screw M3.5 x 12
1.12	WD17	1	Wire plate
1.14	WD16	1	Middle Seat
1.15	WD83	1	Upper Blocker
1.17	WD148	1	Base
1.18	WD248	2	Blocker
1.19	3215BE-01	1	Capacitor 0.1 μ F
1.20	WD207	1	Terminal Block
1.26	WD67	1	Switch
1.27	WD53	2	Gasket
1.28	WD251	1	Gasket
1.29	WD15	1	Motor
1.30	WD68	1	Rubber Gasket
1.31	WD70	3	Foam Gasket
1.32	WD69	1	Square Gasket
1.33	WD85	1	Stopper
1.34	3200DS-02	2	Screw M3 x 8
1.35	WD166	1	Plate
1.36	WD87	1	Motor Base
1.37	WD82	2	Bottom Blocker
1.38	WD150	1	Gasket
1.39	WD10	1	Housing
1.40	3238DS-11	6	Screw M5 x 16
1.41	WD165	1	Gasket
1.42	WD9	1	Float
1.43	WD8	1	Float Cage
1.44	WD36	1	Filter Cartridge
1.45	WD37	2	Spring
1.46	WD35	1	Hook

PF56 SCHEMATICS - PARTS LISTS

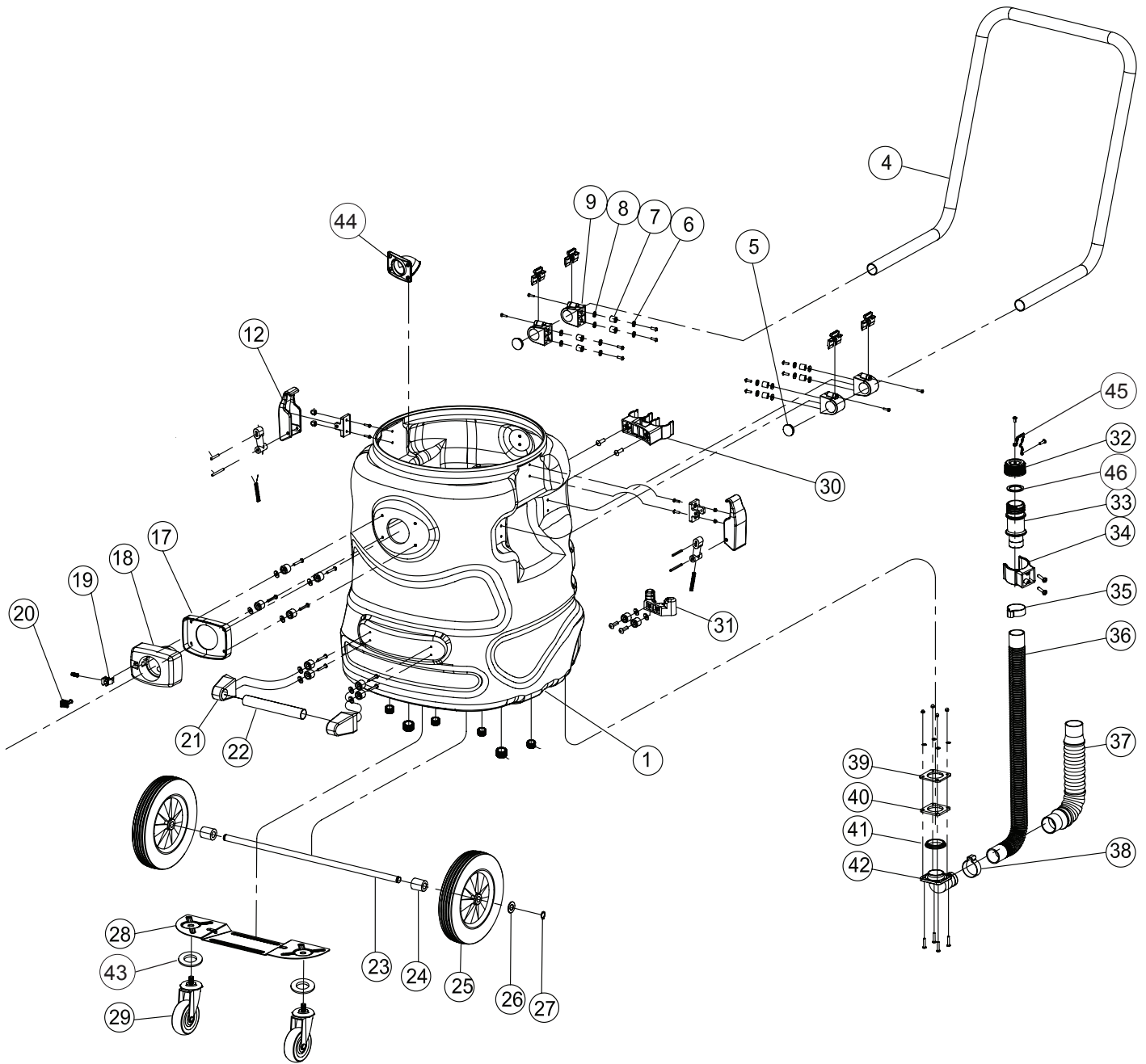
Filter Assembly



No.	Part No.	Qty	Description
1	WD7	1	Filter Frame
2	WD4	1	Filter and Gasket

PF56 SCHEMATICS - PARTS LISTS

Tank Assembly



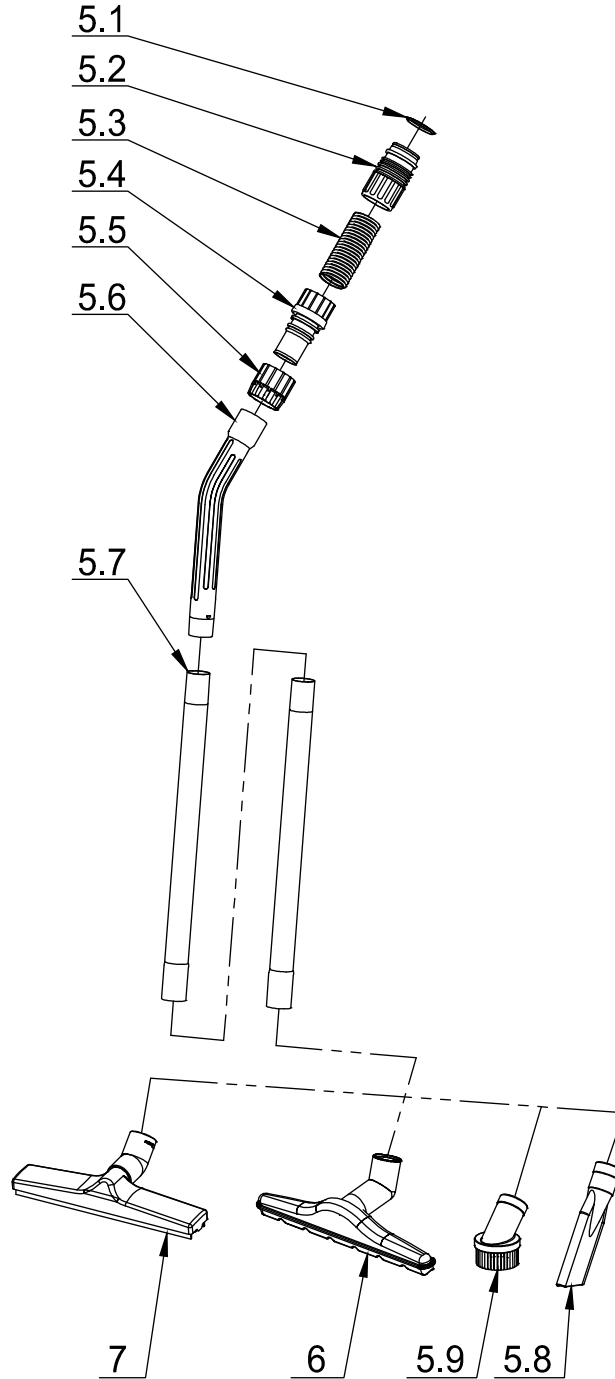
PF56 SCHEMATICS - PARTS LISTS

Tank Assembly

No.	Part No.	Qty	Description
1	WD219	1	Tank
4	WD132	1	Handle
5	WD133	2	Plug
6	WD222	8	Washer
7	WD77	8	Spacer
8	WD224	8	Washer
9	WD72	4	Holder
12	WD43	2	Latch Assembly
17	WD50	1	Rubber Gasket
18	WD45	1	Hose Coupler
19	WD86	1	Button Fixer
20	WD46	1	Button
21	WD225	2	Holder
22	WD226	1	Handle
23	WD227	1	Axle
24	WD228	2	Bushing
25	WD61M	2	Wheel
26	WD229	2	Washer
27	WD230	2	C-Clip
28	WD167	1	Frame
29	WD231M	2	Caster Wheel
30	WD232	1	Tool Clip
32	WD236	1	Cap
33	WD237	1	Connector
34	WD146	1	Hook
35	WD190	1	Clamp
36	WD239	1	Hose
37	WD240	1	Hose Protector
38	WD241	1	Clamp
39	WD242	1	Seal Holder
40	WD188	1	Inner Seal
41	WD243	1	Outer Seal
42	WD244	1	Drain Connector
43	WD256	2	Caster Washer
44	3239AA-27	1	Deflector
45	WD235	1	Chain
46	3527GP-08	1	Gasket

PF56 SCHEMATICS - PARTS LISTS

Hose and Accessories



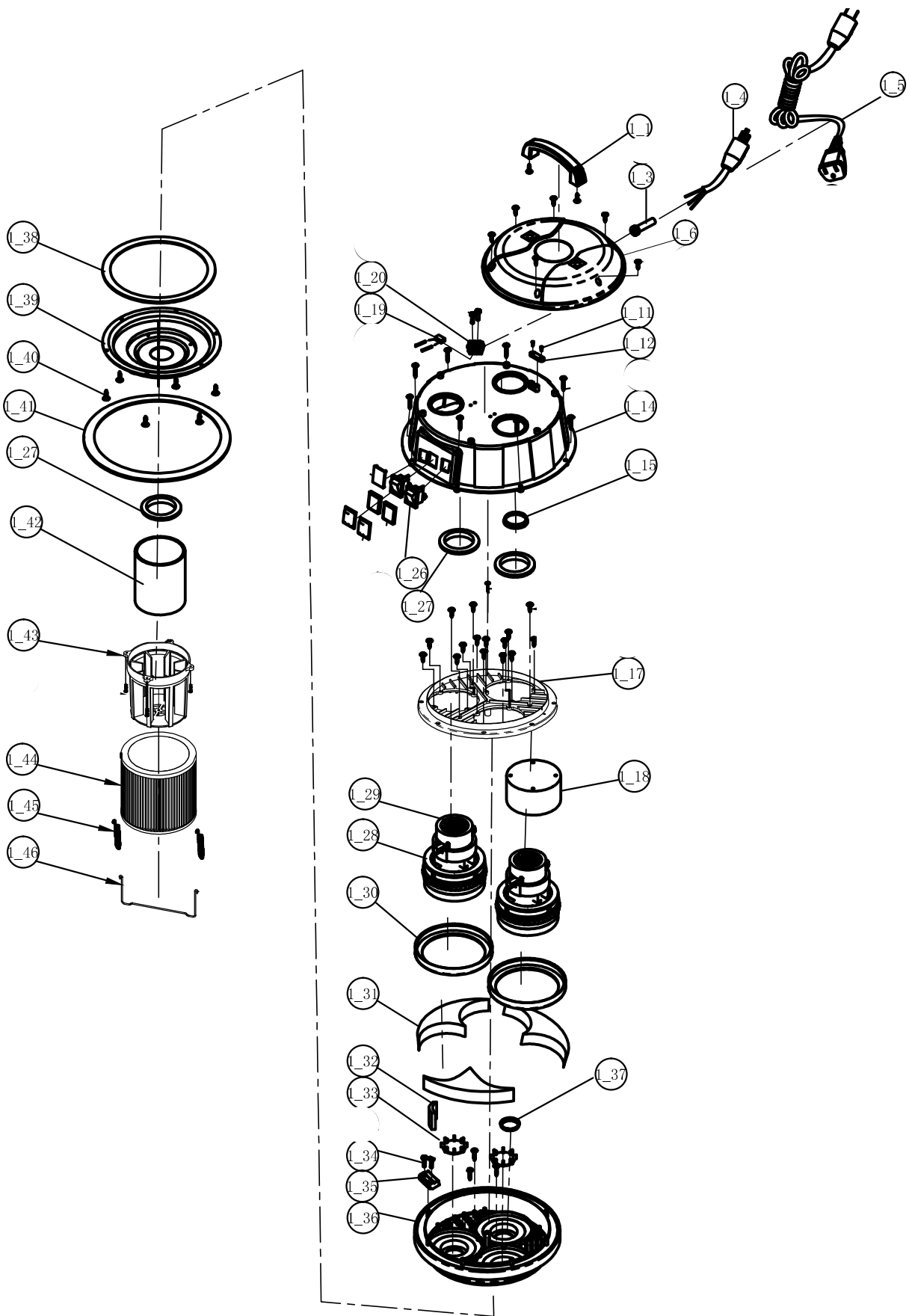
PF56 SCHEMATICS - PARTS LISTS

Hose and Accessories

No.	Part No.	Qty	Description
5.1	WD191	1	Seal
5.2	WD24	1	Hose Connector
5.3	WD25	1	Hose
5.4	WD26	1	Connector
5.5	WD27	1	Wand Holder
5.6	WD28	1	Bend Connector
5.7	WD29	2	Wand Section
5.8	WD32	1	Crevice Tool
5.9	WD33	1	Round Brush
6	WD30A	1	Squeegee Tool
7	WD112	1	Brush Nozzle Assembly

PF58 SCHEMATICS - PARTS LISTS

Head Assembly



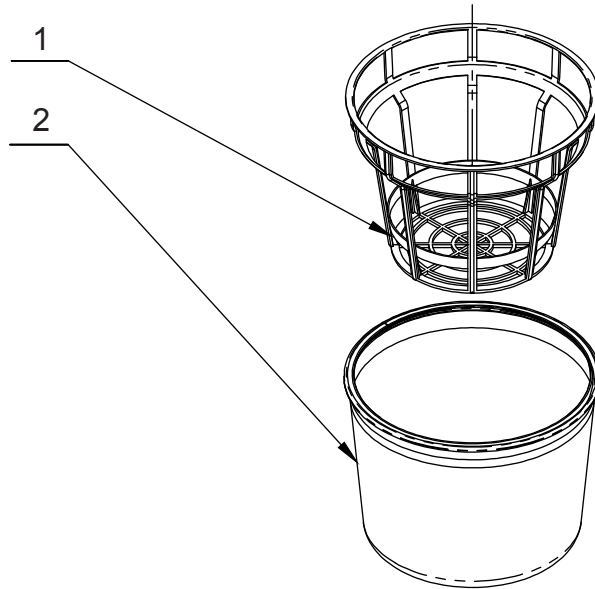
PF58 SCHEMATICS - PARTS LISTS

Head Assembly

No	Part No.	Qty	Description
1.1	WD20	1	Handle
1.3	WD34	1	Strain Relief
1.4	WD66C	1	Pig Tail
1.5	WD66	1	Power Cord
1.6	WD65	1	Top Cover
1.11	3208DS-07	2	Screw M3.5 x 12
1.12	WD17	1	Wire plate
1.14	WD16	1	Middle Seat
1.15	WD83	1	Upper Blocker
1.17	WD148	1	Base
1.18	WD248	1	Blocker
1.19	3215BE-01	1	Capacitor 0.1 μ F
1.20	WD207	1	Terminal Block
1.26	WD67	1	Switch
1.27	WD53	2	Gasket
1.28	WD251	1	Gasket
1.29	WD15	2	Motor
1.30	WD68	1	Rubber Gasket
1.31	WD70	3	Foam Gasket
1.32	WD69	1	Square Gasket
1.33	WD85	1	Stopper
1.34	3200DS-02	2	Screw M3 x 8
1.35	WD166	1	Plate
1.36	WD87	1	Motor Base
1.37	WD82	1	Bottom Blocker
1.38	WD150	1	Gasket
1.39	WD10	1	Housing
1.40	3238DS-11	6	Screw M5 x 16
1.41	WD165	1	Gasket
1.42	WD9	1	Float
1.43	WD8	1	Float Cage
1.44	WD36	1	Filter Cartridge
1.45	WD37	2	Spring
1.46	WD35	1	Hook

PF58 SCHEMATICS - PARTS LISTS

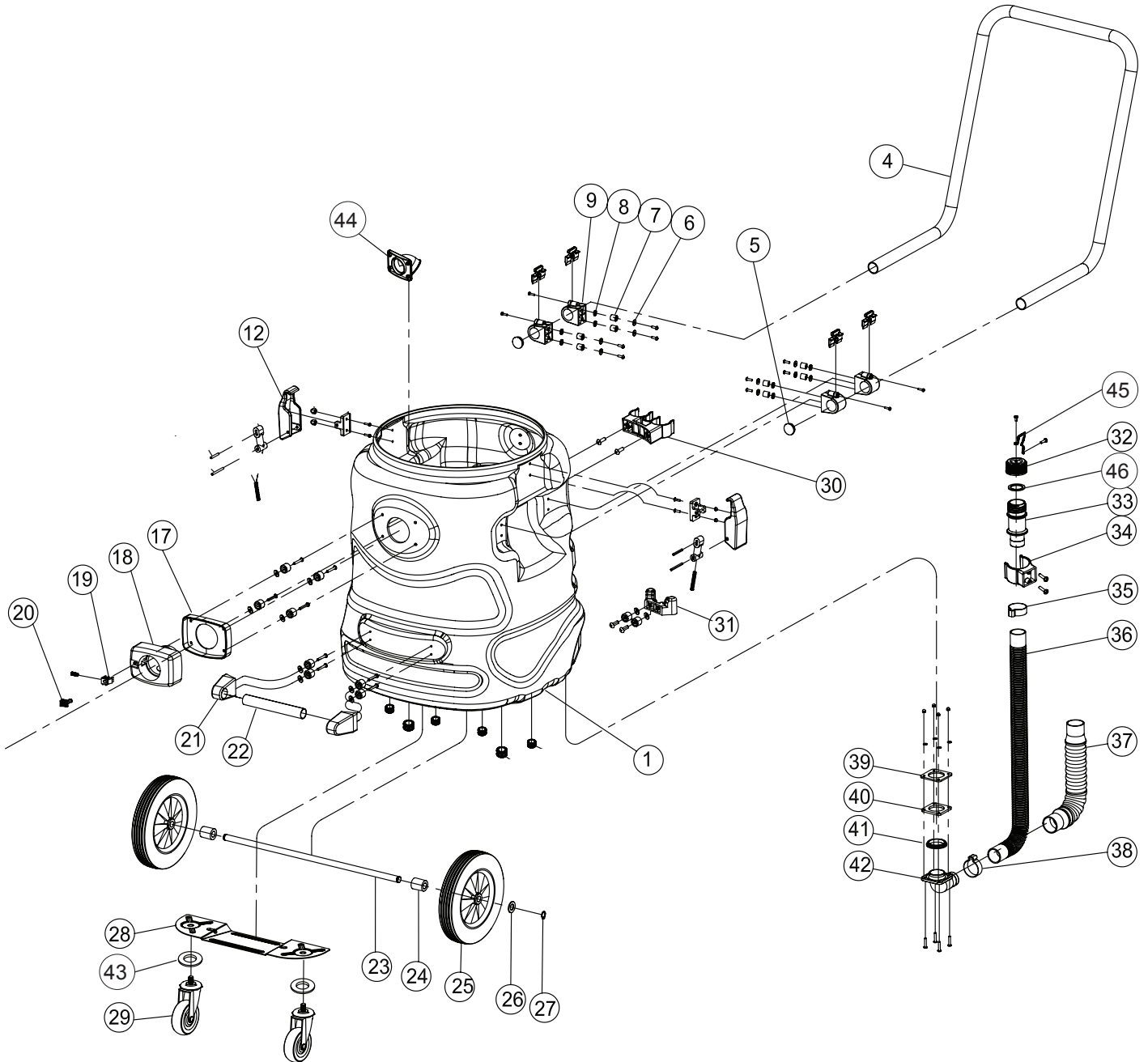
Filter Assembly



No.	Part No.	Qty	Description
1	WD7	1	Filter Frame
2	WD4	1	Filter and Gasket

PF58 SCHEMATICS - PARTS LISTS

Tank Assembly



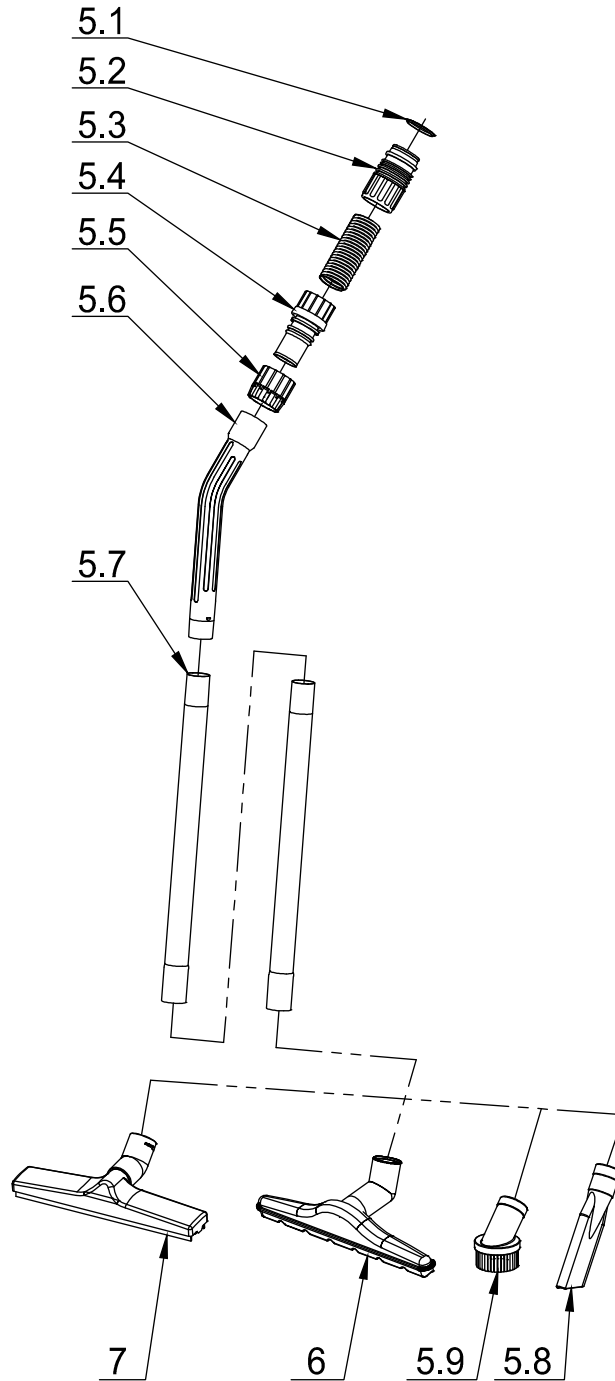
PF58 SCHEMATICS - PARTS LISTS

Tank Assembly

No.	Part No.	Qty	Description
1	WD219	1	Tank
4	WD132	1	Handle
5	WD133	2	Plug
6	WD222	8	Washer
7	WD77	8	Spacer
8	WD224	8	Washer
9	WD72	4	Holder
12	WD43	2	Latch Assembly
17	WD50	1	Rubber Gasket
18	WD45	1	Hose Coupler
19	WD86	1	Button Fixer
20	WD46	1	Button
21	WD225	2	Holder
22	WD226	1	Handle
23	WD227	1	Axle
24	WD228	2	Bushing
25	WD61M	2	Wheel
26	WD229	2	Washer
27	WD230	2	C-Clip
28	WD167	1	Frame
29	WD231M	2	Caster Wheel
30	WD232	1	Tool Clip
32	WD236	1	Cap
33	WD237	1	Connector
34	WD146	1	Hook
35	WD190	1	Clamp
36	WD239	1	Hose
37	WD240	1	Hose Protector
38	WD241	1	Clamp
39	WD242	1	Seal Holder
40	WD188	1	Inner Seal
41	WD243	1	Outer Seal
42	WD244	1	Drain Connector
43	WD256	2	Caster Washer
44	3239AA-27	1	Deflector
45	WD235	1	Chain
46	3527GP-08	1	Gasket

PF58 SCHEMATICS - PARTS LISTS

Hose and Accessories



PF58 SCHEMATICS - PARTS LISTS

Hose and Accessories

No.	Part No.	Qty	Description
5.1	WD191	1	Seal
5.2	WD24	1	Hose Connector
5.3	WD25	1	Hose
5.4	WD26	1	Connector
5.5	WD27	1	Wand Holder
5.6	WD28	1	Bend Connector
5.7	WD29	2	Wand Section
5.8	WD32	1	Crevice Tool
5.9	WD33	1	Round Brush
6	WD30A	1	Squeegee Tool
7	WD112	1	Brush Nozzle Assembly

For warranty information go to www.Powr-Flite.com

Powr-Flite[®]

A Tacony Company

3101 Wichita Court • Fort Worth, TX 76140-1755

1-800-880-2913 • Fax: 1-817-551-0719