

Powr-Flite[®]

OPERATOR'S MANUAL & PARTS LIST

Backpack Vacuum BP4S-1 Series



**WARNING: OPERATOR MUST READ AND UNDERSTAND THIS MANUAL
COMPLETELY BEFORE OPERATING THIS EQUIPMENT.**

Save These Instructions

Congratulations on your purchase of the BP4S-1 Powr-Flite Backpack. We know you will be happy with the performance and features that we selected for you. In the event that you have questions or concerns, do not hesitate to contact us at:

Powr-Flite[®]

CUSTOMER SERVICE

1-800-880-2913

www.Powr-Flite.com

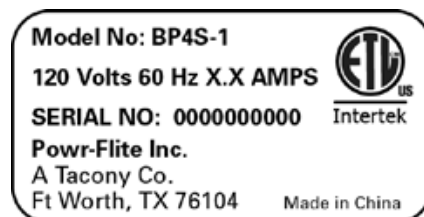
NOTES

Model Number: _____

Serial Number: _____

Date of Purchase: _____

Retain this manual as a permanent record of your purchase.



Your Model Number and Serial Number can be found on the rating plate on the motor housing.

INTRODUCTION

Check the carton for shipping damage. Carefully unpack and inspect your new Powr-Flite vacuum for shipping damage. Each unit is tested and thoroughly inspected prior to shipping. If damage is discovered, immediately notify the transportation company that delivered your machine and request an inspection. As a manufacturer, we are unable to act upon any claim for concealed damage; you must originate the claim. Be sure to keep the carton, packing inserts, packing lists, and carrier's receipt until the inspector has verified your claim.

PROTECT THE ENVIRONMENT

Please dispose of packaging materials in an environmentally safe way according to local waste disposal regulations.

Always remember to recycle

Introduction	3
Safety Instructions	4
Grounding Instructions.....	5
Operating Instructions	6-7
Maintenance.....	8
Troubleshooting	8
Product Specifications.....	9
Schematic and Parts List.....	10
Tools	11
Wiring diagram	11

MANUAL

This manual has important information for the use and safe operation of the Comfort Pro. Read this manual carefully before starting the machine. Keep the manual available at all times and instruct all operators to read this manual.

COMMON REPLACEMENT PARTS	
DESCRIPTION	PART NO.
PAPER BAG (10 PK)	X1486
MICRO CLOTH BAG	X1487
PRE-MOTOR FILTER AND EXHAUST FILTER	X1488
EXTENSION CORD (50')	X1489

IMPORTANT SAFETY INSTRUCTIONS

Save These Instructions

SAFETY WARNINGS AND PRECAUTIONS



WARNING!

Read all instructions before using. Save These Instructions.

Following the cleaning instructions will prolong the life of your Powr-Flite vacuum.

When using an electrical appliance, basic precautions should always be followed.

1. Use only as instructed in this manual. Use only the recommended attachments and replacement parts.
2. Do not leave vacuum cleaner plugged in when not in use. Unplug vacuum before servicing.
3. Do not use outdoors or on wet surfaces.
4. Do not use to pick up liquids. This vacuum is for dry pickup only.
5. If the unit is not working as it should, has been dropped, damaged, left outdoors or exposed to water, return it to a service center before using.
6. Do not vacuum up hard or sharp objects, as they may damage the hose, vacuum bag or vacuum motor.
7. Do not use without paper vacuum bag, cloth bag and filters in place.
8. Do not use with damaged cord or plug.
9. Do not kink or twist the power cord.
10. Do not pull or carry by the cord, use the cord as a handle, close the door on cord or pull cord around sharp edges or corners. Keep cord away from heated surfaces.
11. Do not pull on cord to unplug. Grasp and pull the plug, not the cord. Turn off the vacuum before unplugging.
12. Do not handle the cord, plug, switch or vacuum with wet hands.
13. Do not use outlets with inadequate current capacity.
- 14. Do not use extension cord without the furnished P-Clamp .**
15. Do not put objects into any openings. Do not use with any opening blocked. Keep free of dust, lint, hair and anything that might reduce airflow.
16. Keep hair, loose clothing, fingers and all body parts away from openings and moving parts.
17. Use with extra care when cleaning stairs.
18. Do not vacuum flammable or combustible materials or anything that is burning or smoking, such as cigarettes, matches or hot ashes.
19. Do not use without dust bag in place.
20. Sparks inside the motor can ignite flammable vapors or dust. To reduce the risk of fire or explosion, do not use near combustible liquids, gases or dusts such as gasoline or other fuels, lighter fluid, cleaners, oil-based paints or natural gas.
21. To reduce the risk of inhaling toxic vapors do not use near toxic or hazardous materials.
22. Keep children and unauthorized persons away from the vacuum when in use.
23. This machine is not intended for use by persons with reduced physical, sensory or mental capabilities, or lack of experience or knowledge.
24. Do not attempt to service the vacuum yourself. Repair by anyone other than an authorized repair service center may void the warranty.
25. Always store vacuum in a cool, dry area.

CONNECT TO A PROPERLY GROUNDED OUTLET ONLY! See Grounding Instructions

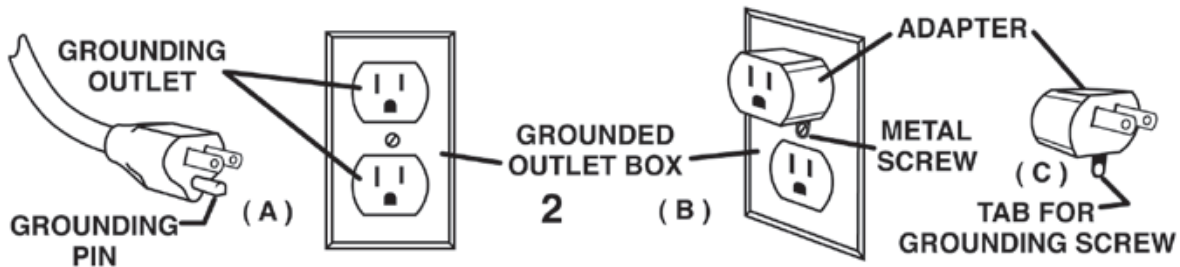
GROUNDIRG INSTRUCTIONS

This vacuum must be grounded! Grounding is a safety measure to reduce the risk of electrical shock to the operator should the machine malfunction or stop working. Grounding provides the path of least resistance for electric current and will trip the circuit breaker, stopping the flow of electricity.

This unit is equipped with a cord that has an equipment-grounding conductor and grounding plug. The plug must be inserted in an appropriate outlet that is properly installed and grounded in accordance with all local codes and ordinances. Cutting off the ground wire or using a cord that is not equipped with a ground plug will void the warranty on the unit. Powr-Flite will accept NO liability associated with the unit.

⚠ WARNING! Improper connection of the equipment-grounding conductor can result in a risk of electric shock. Check with a qualified electrician or service person if you are in doubt as to whether the outlet is properly grounded. Do not modify the plug provided with the appliance. If it will not fit the outlet, have a proper outlet installed by a qualified electrician.

The vacuums are for use on a nominal 120-volt circuit, and have a grounded plug that looks like the plug illustrated in Figure A. A temporary adapter that looks like the adapter illustrated in Figure B and C may be used to connect this plug to a 2-pole receptacle as show in Figure B if a properly grounded outlet is not available. The temporary adapter should be used only until a properly grounded outlet (Figure A) can be installed by a qualified electrician. The green colored rigid ear, lug, or the like, extending for the adapter must be connected to a permanent ground such as a properly grounded outlet box cover. Whenever the adapter is used, it must be held in place by a metal screw.



Note: In Canada, the use of a temporary adapter is not permitted by the Canadian Electrical Code.

⚠ WARNING! The replacement or repair of damaged wiring should only be performed by a qualified electrician or service engineer from the manufacturer or authorized service center.

OPERATING INSTRUCTIONS

IMPORTANT! PERFORM PROPER INSTALLATION OF HEPA BAGS AND CORD IN COMFORT PRO BACKPACK VACUUMS.

Please read the following instructions carefully. They will help to get the best performance from this professional commercial vacuum cleaner and to maintain it in optimum condition. Always make sure the main power of the vacuum is off and the unit is not plugged in when doing any maintenance on the vacuum.

Preparing To Vacuum

1. Remove vacuum hose from top of unit. Rotate to position shown in Fig. 1 and pull upward.



1.

2. Release the two latches and lift off lid (figure 2 & 3).



2.

3. Ensure micro cloth bag is fully seated on tank housing (figure 4).



3.

4. Insert paper bag inside micro cloth bag (figure 5).



4.

5. Ensure that paper bag is not protruding under cardboard flange (figure 6).



5.

6. Replace lid, lock down the two latches and install hose.



6.

7. Ensure cord is retained by the P-Clamp (figure 7).



7.

8. Store the power cord on the cord hook located on the harness frame after each use (figure 8).



8.

9. Affix the Switch box to the harness with the available straps (figure 9).



9.



WARNING!

Always use the P-clamp. There is a risk of electrical shock/damage to the backpack vacuum if P-clamp is not used. (Fig. 7)

OPERATING INSTRUCTIONS

! WARNING! Always unplug machine before cleaning, or making any adjustments or repairs.

The backpack vacuum has four levels of filtration: The paper bag, a micro cloth bag, a pre-motor filter and an exhaust filter. These bags and filters are designed to capture fine particles and protect the motor from dirt. It is important to replace the paper bag when it is no more than ½ full and to clean the filters on a regular schedule. Replace filters every 6 months or as you see performance decline.

Paper Vacuum Bag

1. Remove paper bag. Insert a new paper bag into the micro cloth bag, making sure the cardboard disk is centered on the flexible sealing ring (figure 1).
2. Replace the lid. Fasten the latches and replace hose (figure 2 & 3).



1.



2.



3.

Micro cloth bag

After each use, the micro cloth bag should be inspected. Wash the micro cloth bag every 6 months using cold water and no detergent. Line dry.

3. Remove the micro cloth bag, clean and replace (figure 4).
4. Replace paper vacuum bag and lid. Fasten latches and replace hose.



4.

Pre-motor filter

The pre-motor filter is located under the housing assembly (figure 5). Access the filter by removing the housing assembly. The filter can be removed by rotating counter-clockwise 45 degrees.

It is recommended that the filter be replaced every 6 months.



5.

Exhaust filter

The exhaust filter is an easy-access, washable and reusable filter located on the lower front of the cleaner. For average use of the vacuum, remove and clean the exhaust filter every 3 months. The filter can be washed using cold water and no detergent. Lay flat to dry. Replace once a year.

1. Remove the foam filter exhaust cover using the latch at the top. Remove filter, clean and replace (figure 6).
2. Reinstall the filter into exhaust cover and reattach cover to front of cleaner.



6.

800.880.2913

MAINTENANCE

Routine maintenance can significantly increase the life of your backpack vacuum. The applications and amount of use varies, so the recommendations listed below are for average-to-high volume use. Constant operation may require additional maintenance.

Before Each Use

1. Inspect power cord for fraying, cuts or damage; do not use if damaged.
2. Verify that paper bag is installed.
3. Confirm that filters are in place and not obstructed.

After Each Use

1. Unplug cord from wall by pulling on the plug, not the cord.
2. Lay plug on the ground.
3. Start at the machine and loosely wrap (loop) power cord.
4. Hang cord on cord hook on harness frame (figure 1).

1.



Periodic Maintenance

1. Inspect all electrical connections.
2. Check power cord for any breaks, cuts, separation or fraying. Replace if damage is visible.
3. Make certain the grounding plug is intact.

TROUBLE SHOOTING

If the vacuum will not turn on:

1. Make sure the power cord is firmly connected to the unit and is in good condition.
2. Check to make sure the power cord is firmly seated in the wall outlet.
3. Check to see if the building circuit breaker is tripped. If the circuit is overloaded, move the unit to another circuit.

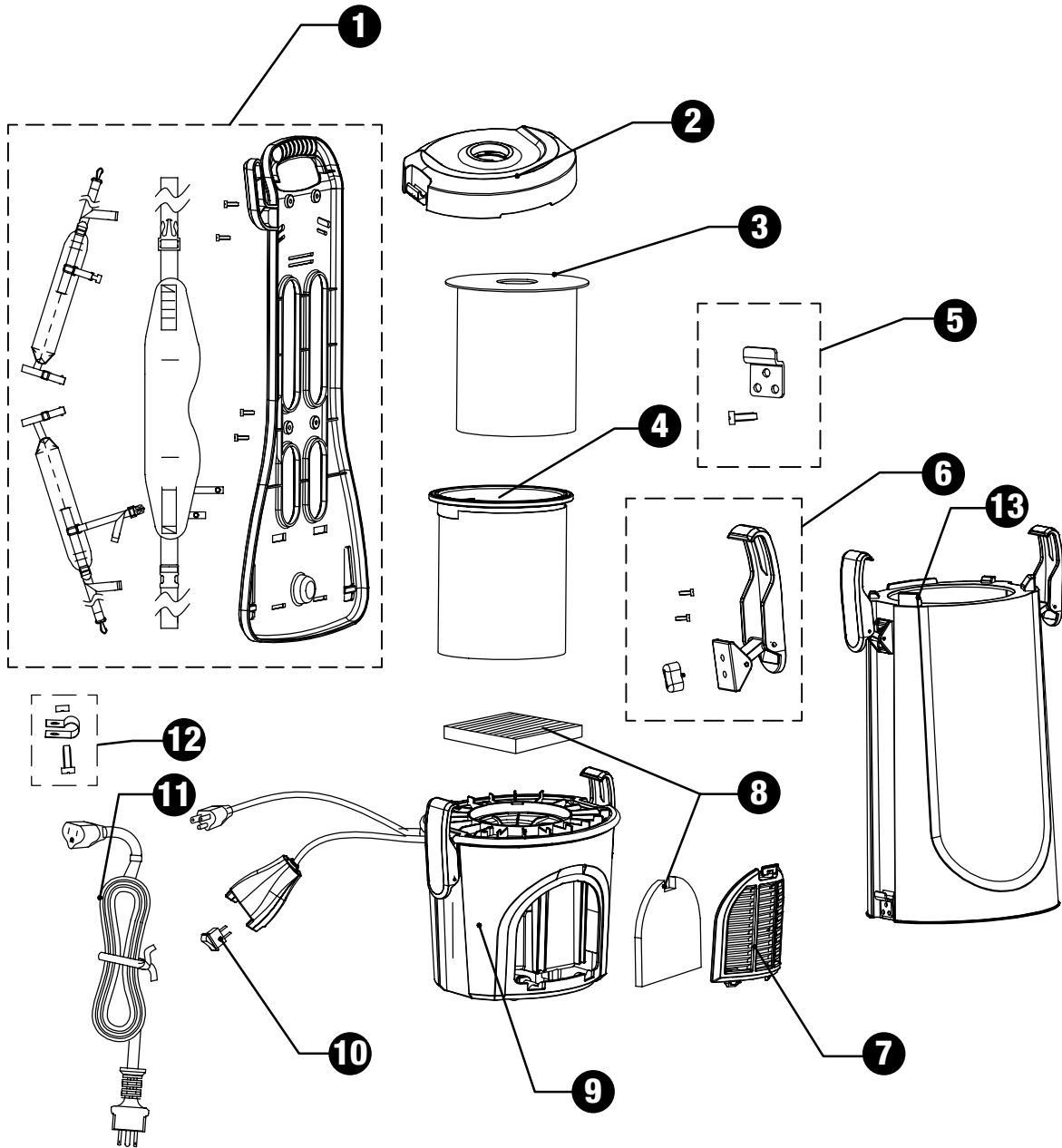
The backpack has been fitted with a thermal overload switch to protect the motor against damage should the airflow be blocked for extended periods. This may occur if the paper bag is overfull, the micro cloth bag is clogged, or if the vacuum hose or exhaust is blocked. The vacuum motor will stop before it can get too hot. If this occurs, empty and thoroughly clean the vacuum bag and filters, or free any blockage and ensure that adequate airflow is restored. If the motor shuts down, turn off power switch, unplug the backpack and allow to cool. When you plug it in, after cooling, the motor will operate when the power switch is enabled.

SPECIFICATIONS



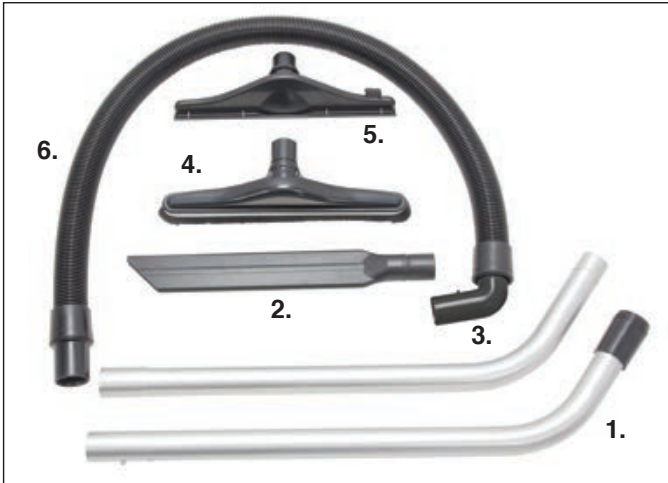
PRODUCT SPECIFICATIONS	
MODEL	BP4S-1
ACCESSORY TOOLS	STANDARD
BODY	HIGH IMPACT POLYPROPYLENE
DIMENSIONS (L x W x H) · (in./ cm)	9.5" x 9.0" x 22.5" (24cm x 23cm x 57cm)
BACKPACK WEIGHT (LBS / KG)	10.0 Lbs (4.5 Kg)
CORD TYPE LIENGTH (Feet/ Meters)	16/3 SJT, 50 ft (15.2m)
CAPACITY (Quarts / Liters)	4.0 Qt. (3.8 L)
FILTRATION	4 STAGE
WATERLIFT (in./ cm)	100 in. (254 cm)
CFM/ CMM	100 (2.8)
SOUND LEVEL (dBA)	67dBA
VACUUM MOTOR	1200W/8 AMP
POWER	120V/60Hz
APPROVALS	ETL • CRI BRONZE

TOOLS SCHEMATICS AND PARTS LIST



PRODUCT SPECIFICATIONS		
ITEM	DESCRIPTION	PART NO.
1	HARNES AND FRAME ASSEMBLY	X1492
2	TOP COVER ASSEMBLY	X1493
3	PAPER BAG (10PK)	X1486
4	MICRO CLOTH BAG	X1487
5	LOWER MOUNTING BRACKET ASSEMBLY	X1494
6	BUCKLE ASSEMBLY	X1495
7	FILTER COVER	X1496
8	PRE-MOTOR FILTER AND EXHAUST FILTER	X1488
9	MOTOR AND SWITCH ASSEMBLY MODULE	X1497
10	SWITCH	X1498
11	EXTENSION CORD (50')	X1489
12	P-CLAMP ASSEMBLY KIT	X1500
13	HOUSING ASSEMBLY	X1499

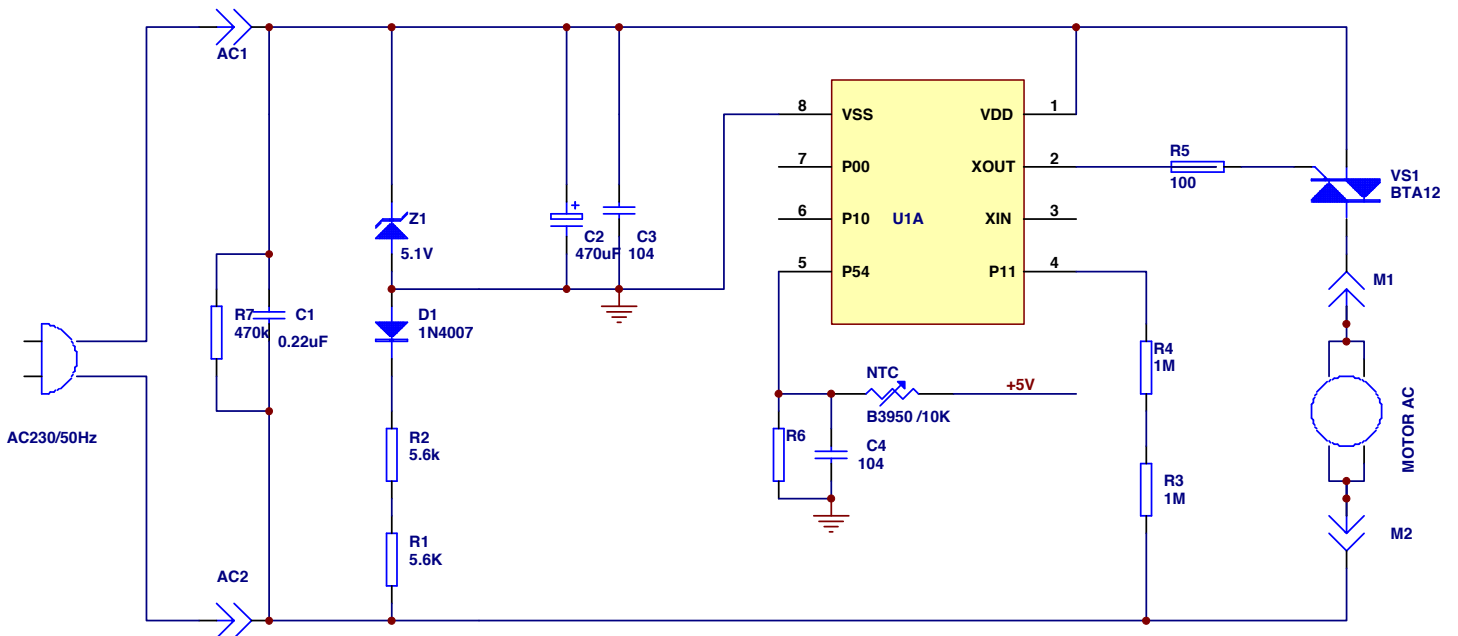
ACCESSORY TOOLS



PRODUCT SPECIFICATIONS		
ITEM	DESCRIPTION	PART NO.
1	DOUBLE BEND WAND	CT171-CS
2	17" CREVICE TOOL	CT182
3	90 DEGREE SWIVEL CUFF	X1490
4	HARD FLOOR TOOL	C352-4400
5	POWER-GLIDE CARPET TOOL	CT190
6	4' VACUUM HOSE W/ 90 DEGREE CUFF	X1491

Additional accessory tools are also available for purchase on the Powr-Flite Website: www.powr-flite.com

WIRING DIAGRAM



POWR-FLITE LIMITED WARRANTY

Powr-Flite will repair or exchange parts for your vacuum in the event of a manufacturing defect as follows:

PARTS: New or comparable rebuilt parts, for three years after original purchase. Lifetime warranty on molded body.

LABOR: Labor warranty for one year. Carry-in service can be obtained during the warranty period by taking your vacuum to an Authorized Powr-Flite Warranty Service Center.

IMPORTANT WARRANTY CONDITIONS: A purchase receipt or other proof of date of original consumer purchase also will be required before warranty service is rendered.

This warranty covers normal use and does not cover damage which occurs in shipment or failure resulting from alteration, accident, misuse, abuse, neglect, or improper maintenance.

STATEMENT: This warranty is not transferable and extends only to the original purchaser when a new Powr-Flite vacuum is purchased from an Authorized Powr-Flite Dealer. This warranty gives you specific legal rights, and you may have other rights that vary from state to state.

Powr-Flite reserves the right to make changes or improvements to its machine without notice.

Always use genuine POWR-FLITE parts for repair.

Powr-Flite[®]

A Tacony Company

3101 Wichita Court • Ft. Worth, TX 76140-1755
1-800-880-2913 • Fax: 1-817-551-0719 • www.Powr-Flite.com