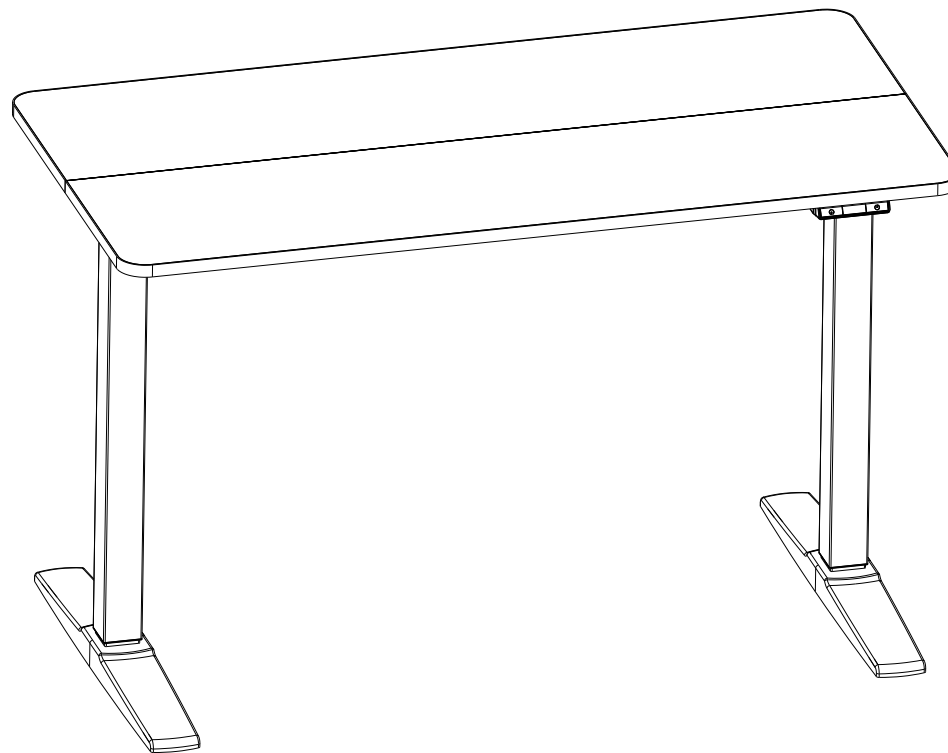


Assembly Instruction



30 mins



70 KG



AX 5



B X 3



C X 6



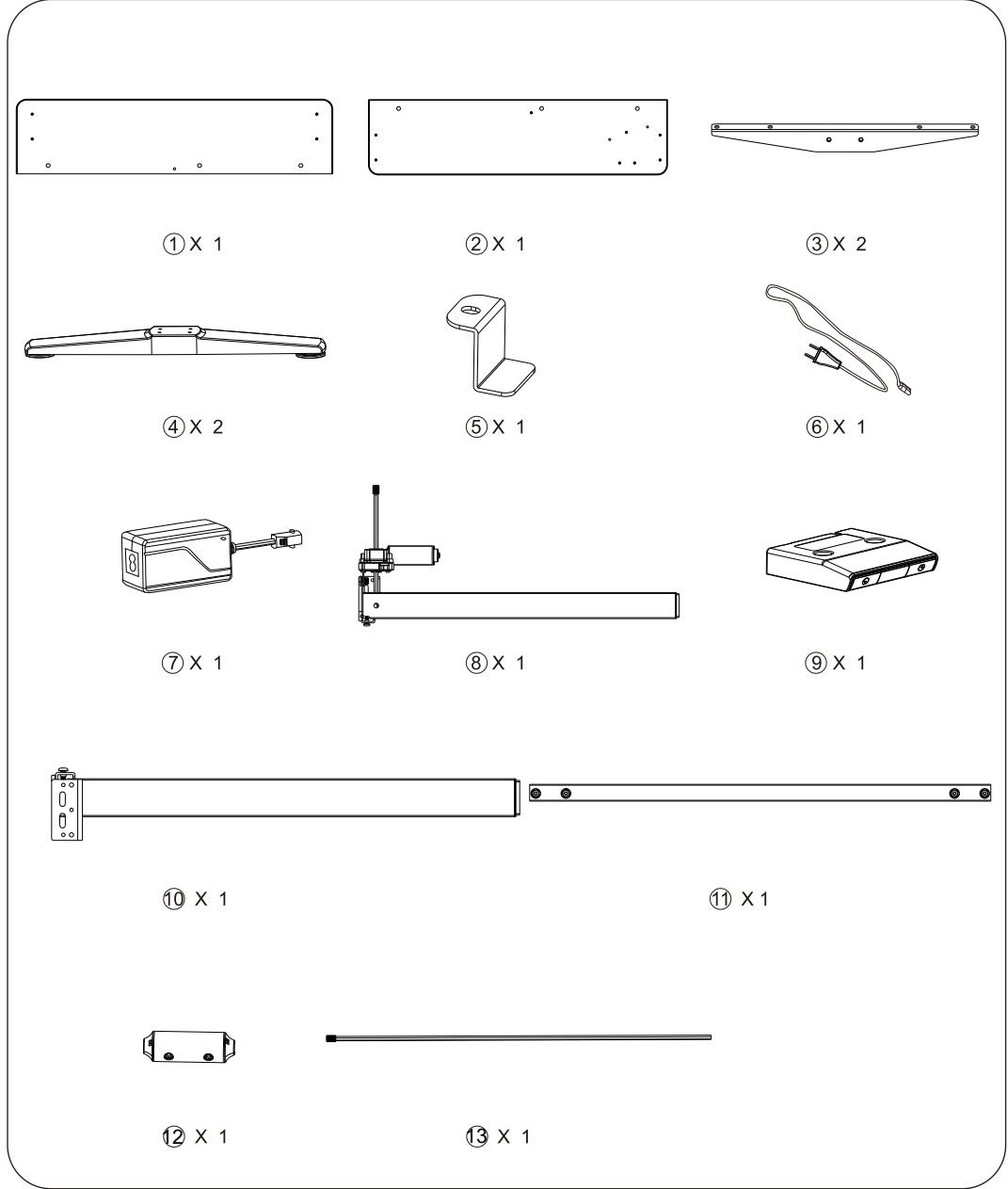
DX 2



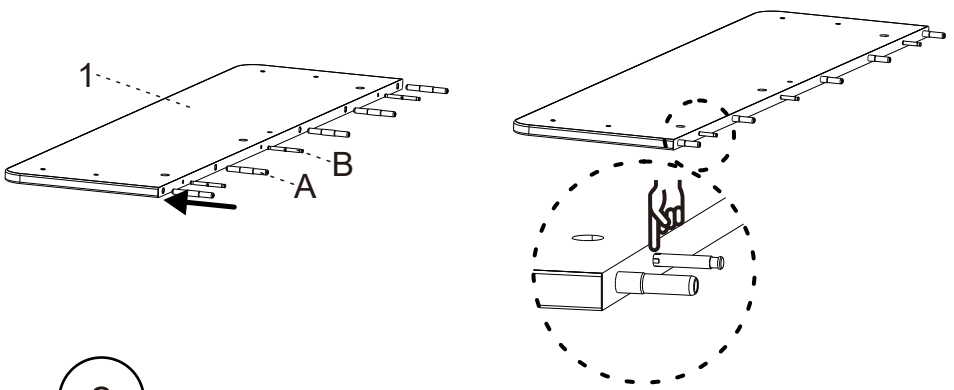
E x 10
M6*12mm



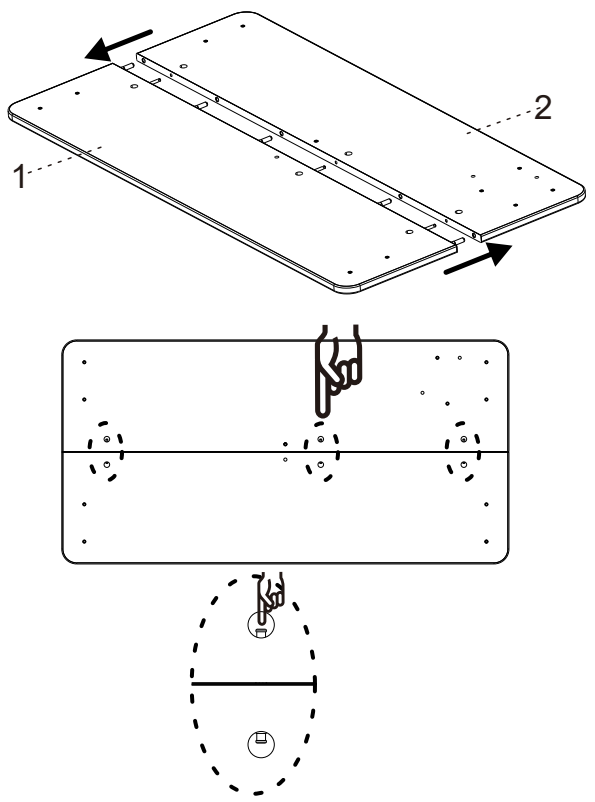
F x 20
M6 * 15mm



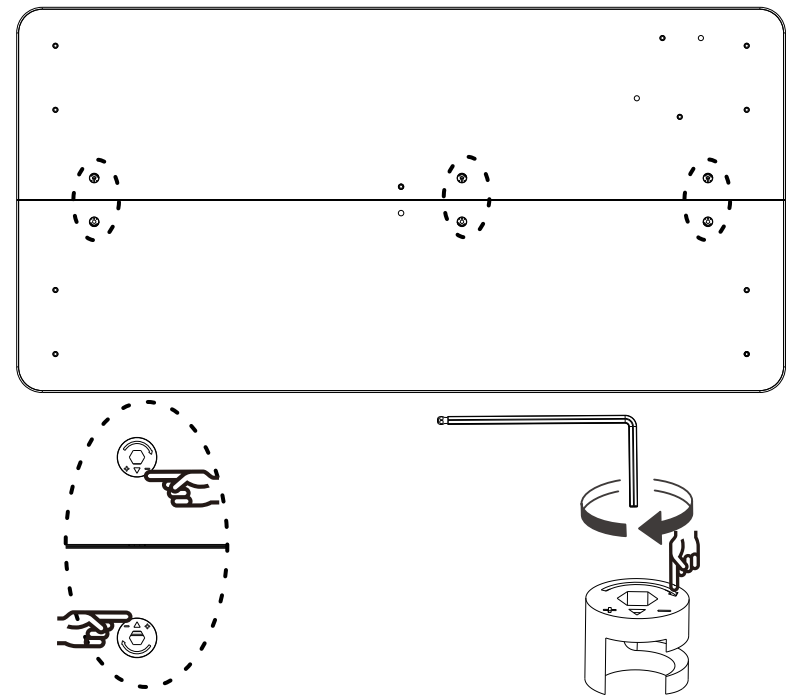
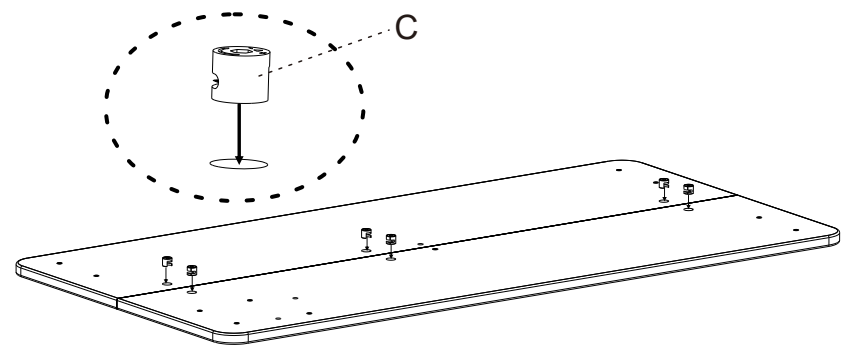
1



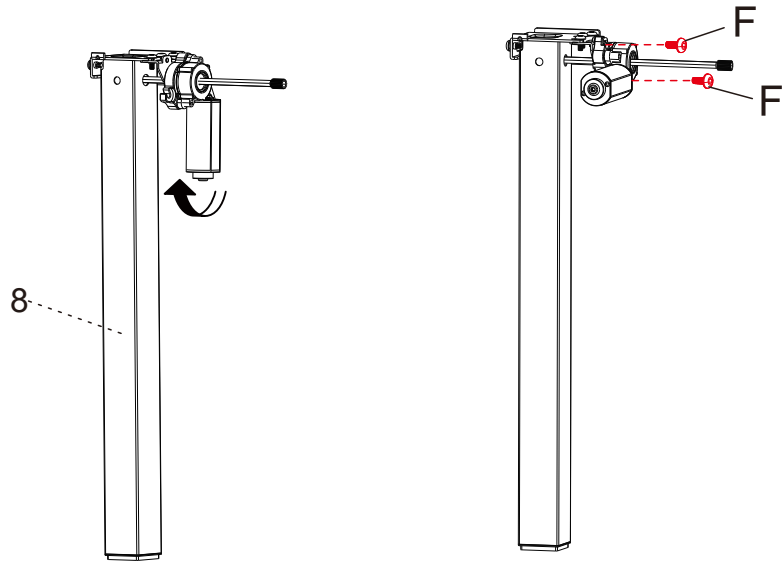
2



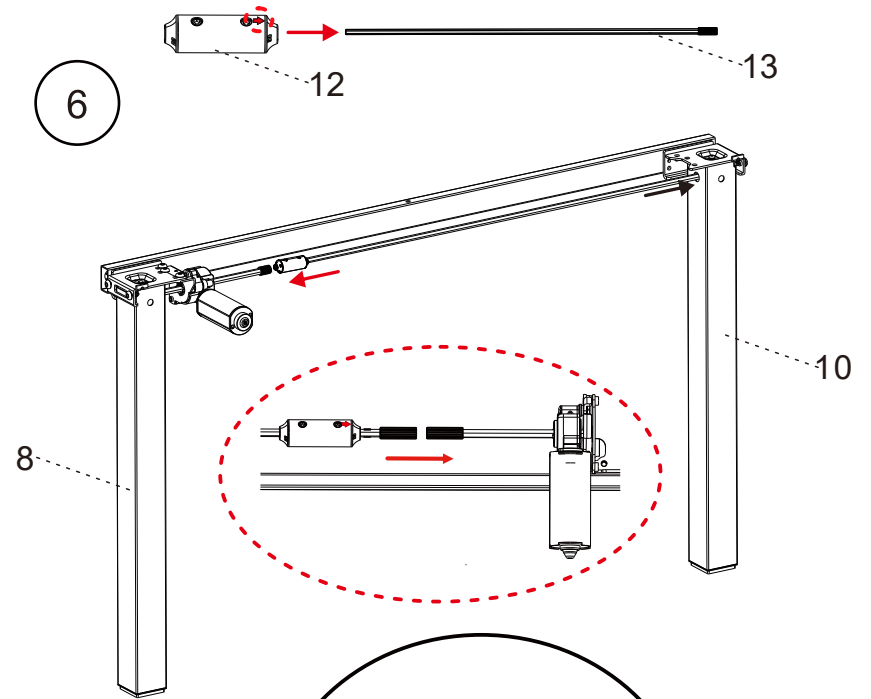
3



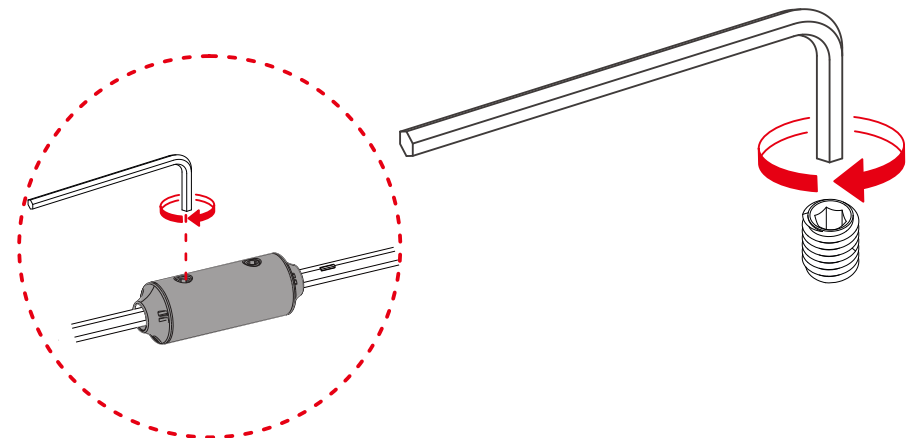
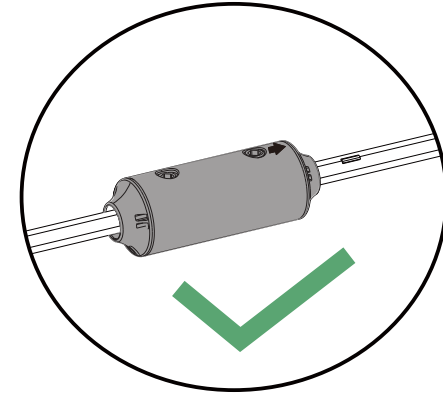
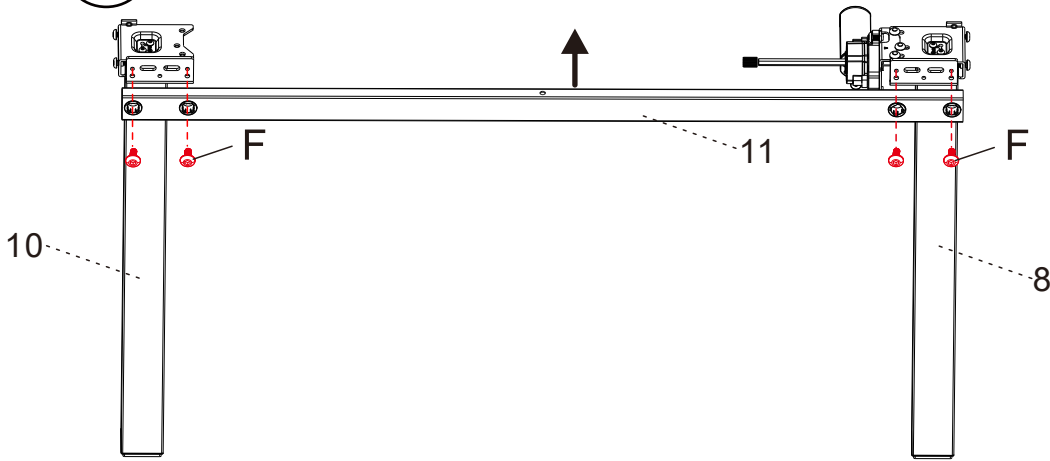
4



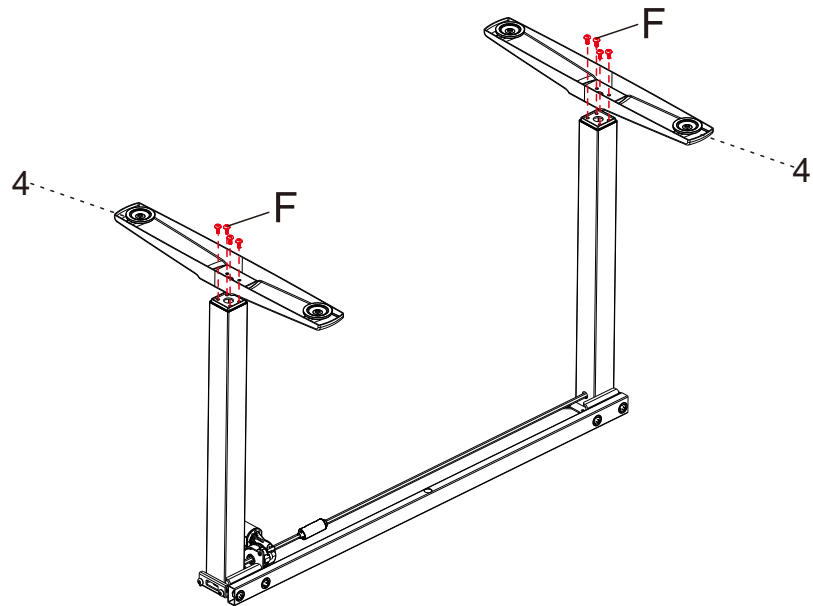
6



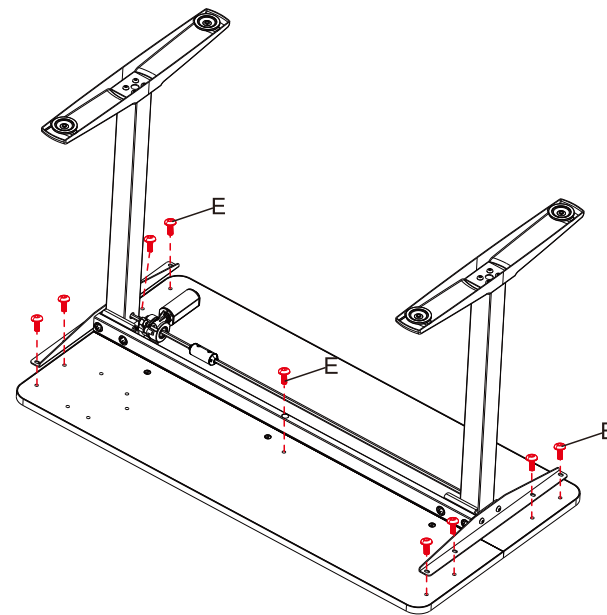
5



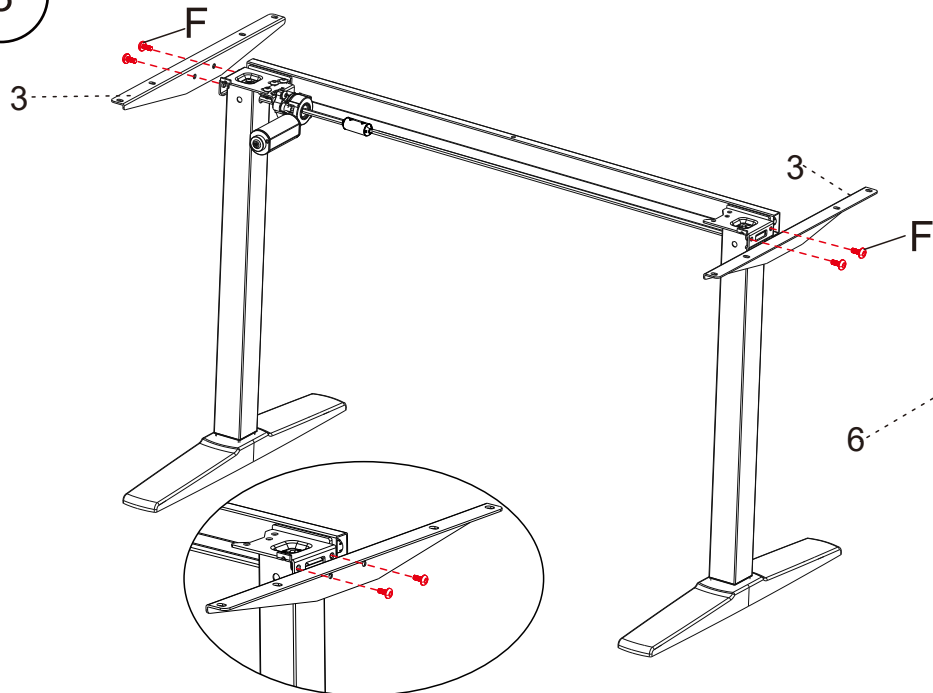
7



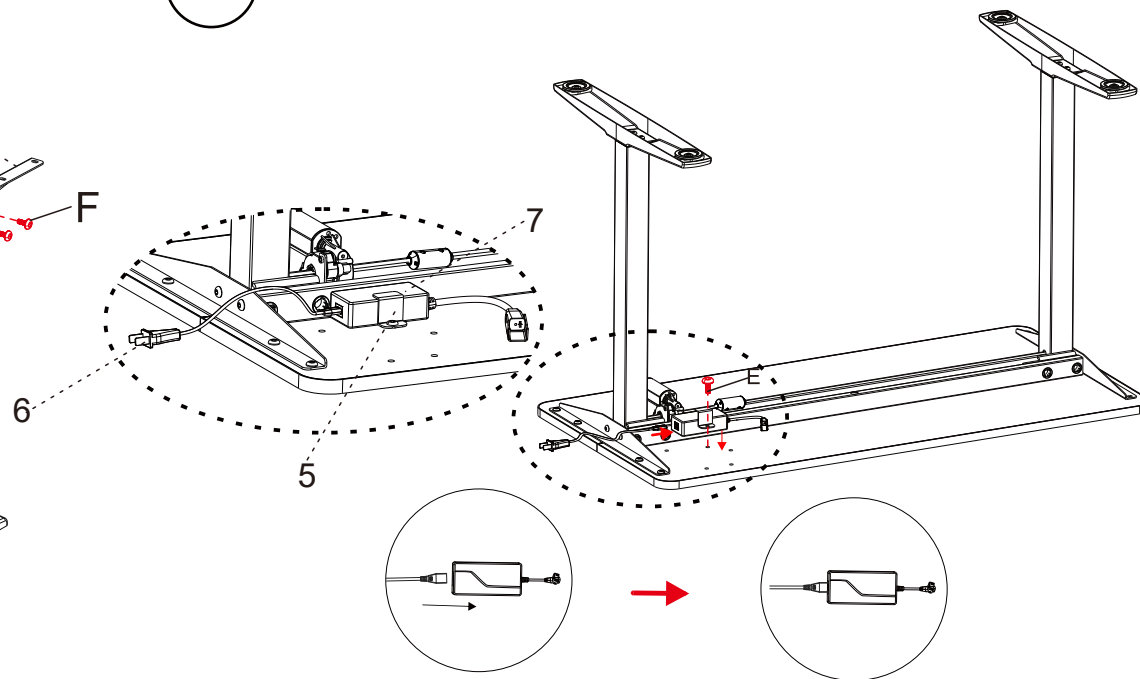
9



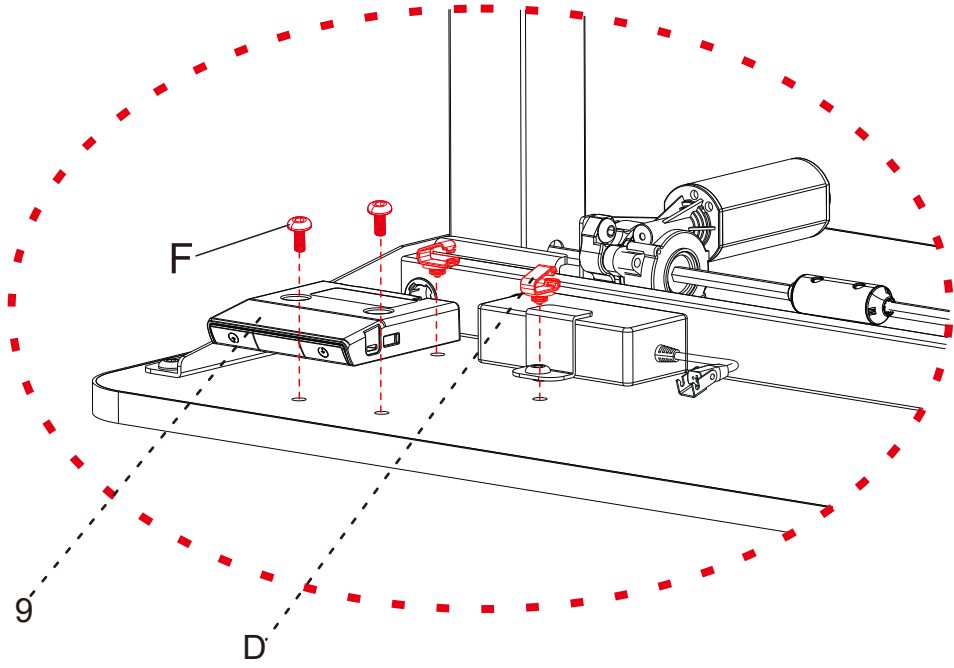
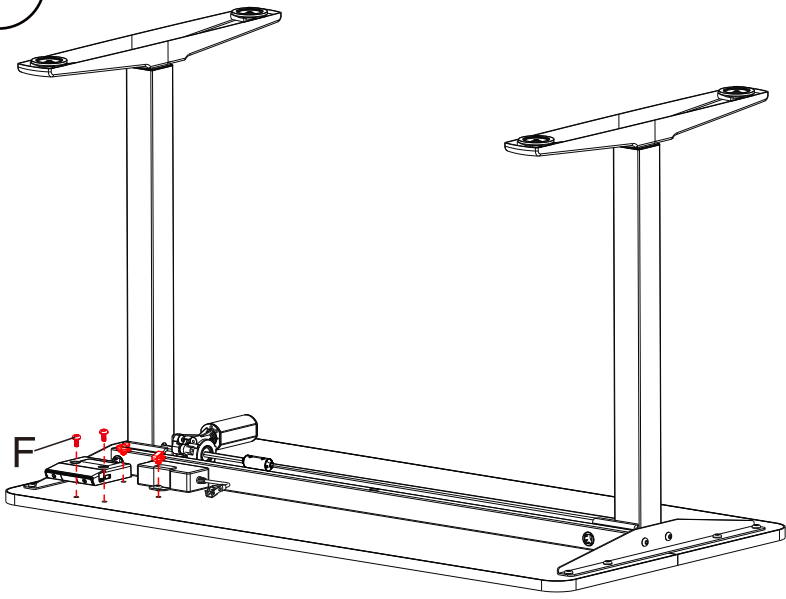
8



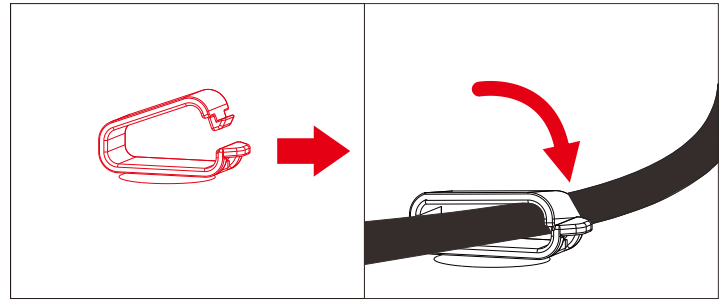
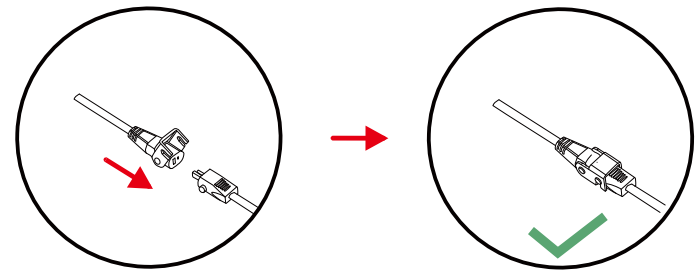
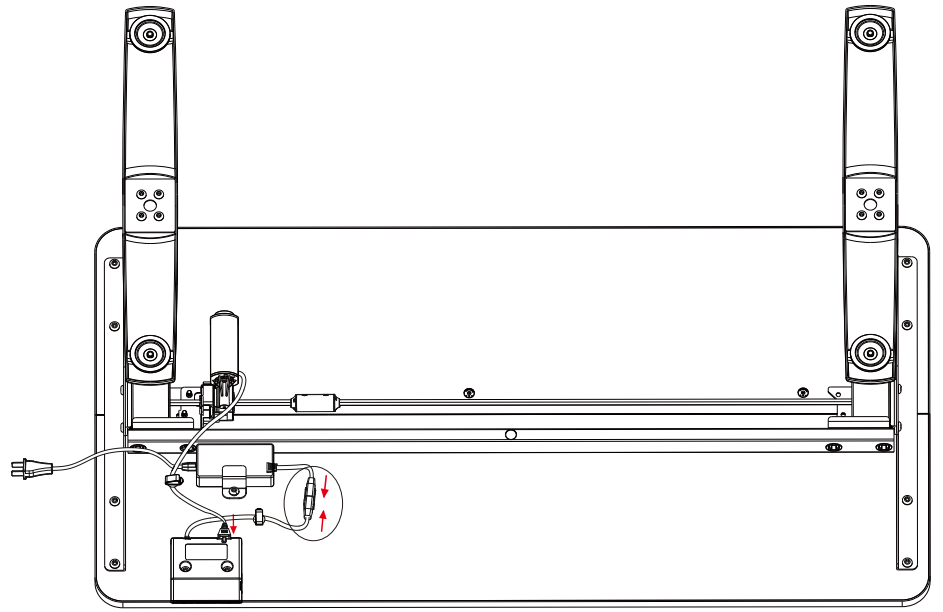
10

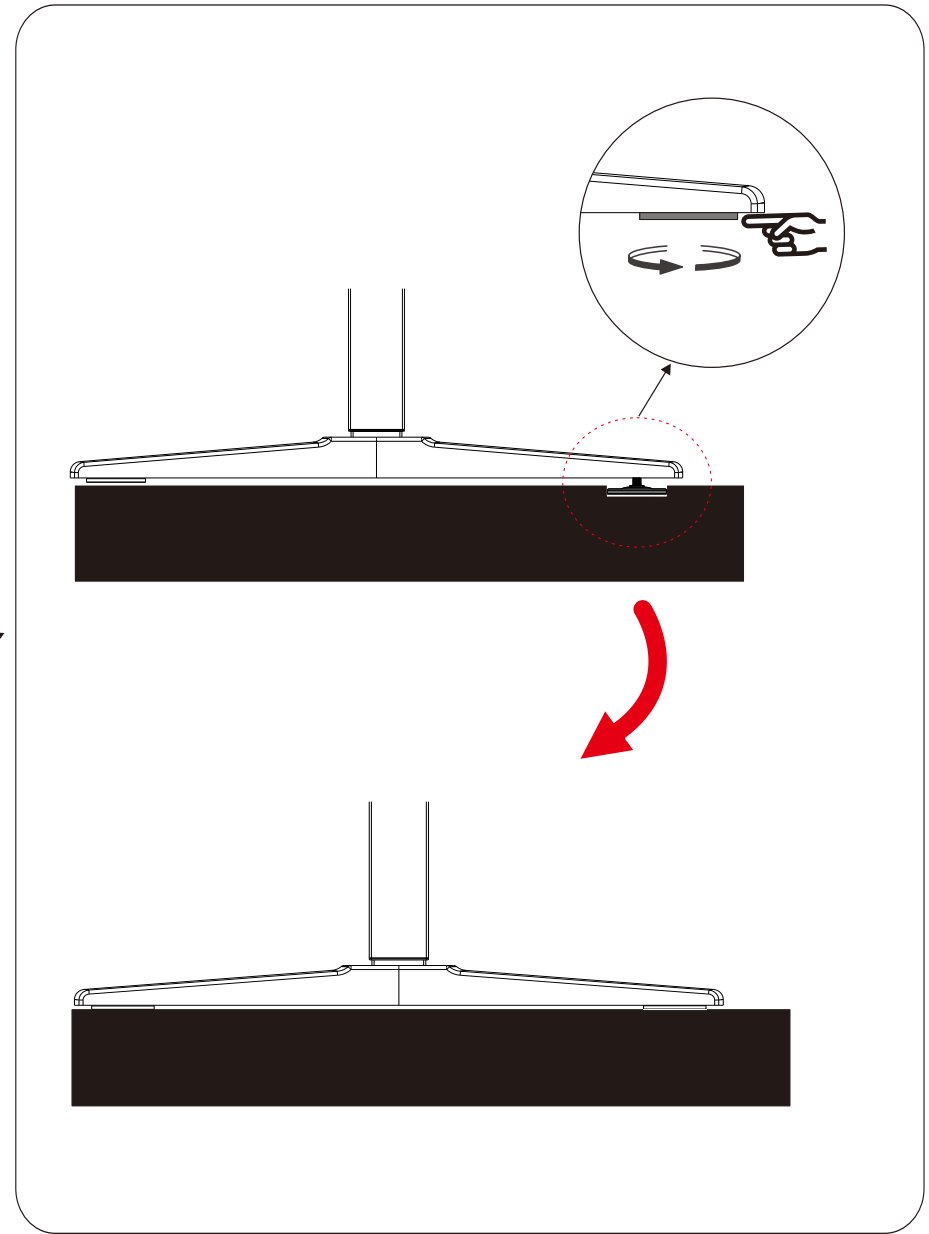
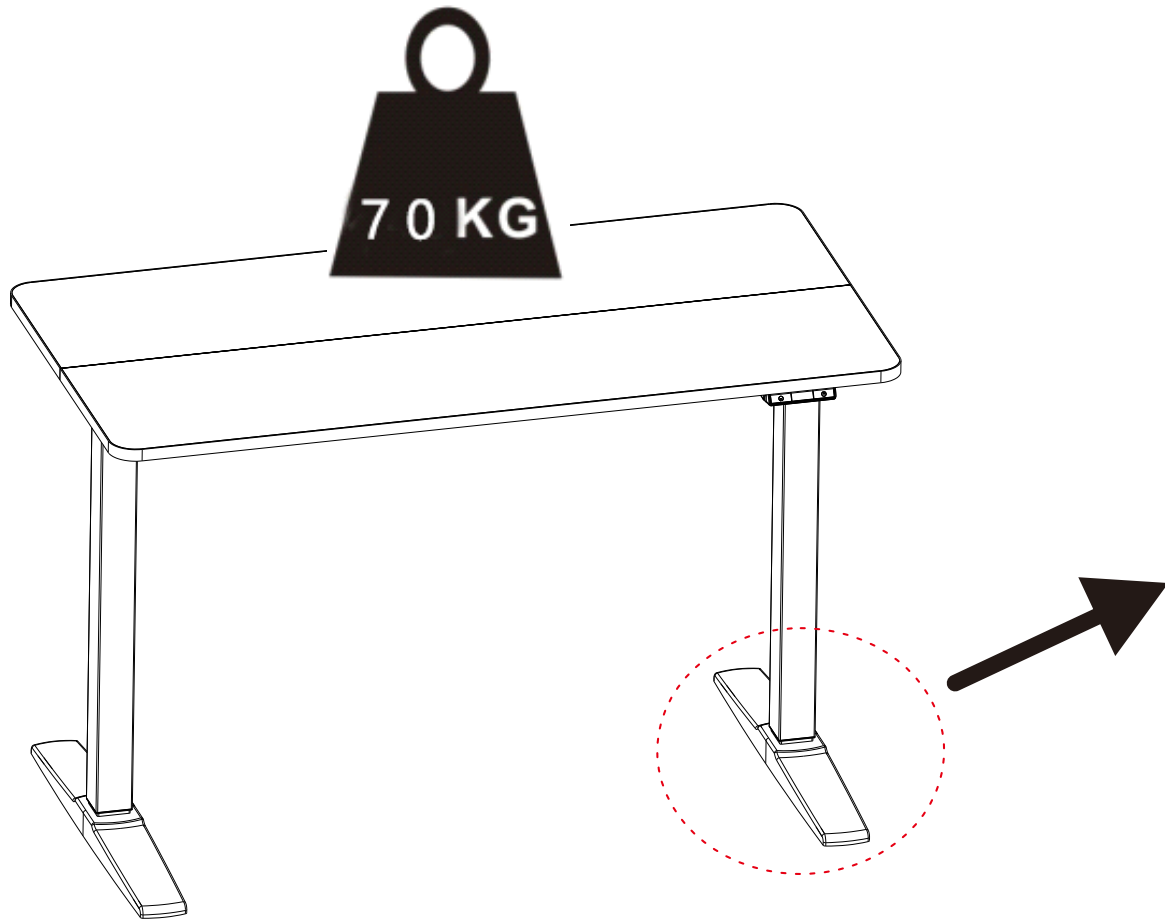


11

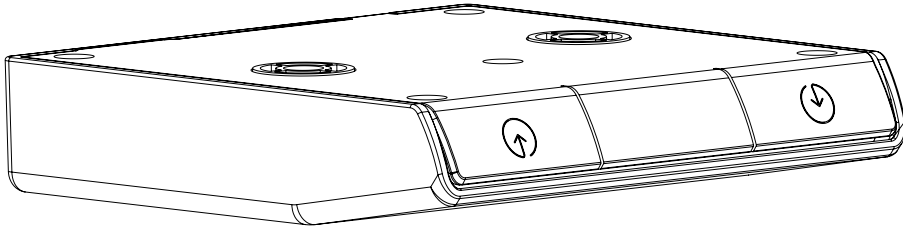


12





1. Product Outline



2. Product Specification

1. Button introduction: There are two buttons that "⬆", "⬇".

(1) "⬆": Adjust the desk upwards;

(2) "⬇": Adjust the desk downwards;

3. Operating Instructions

• Reset

- When the desk is at the lowest position, long press the "⬇" button for 5 seconds to enter the reset mode, the reset will be completed until the lifting system reached bottoms then rebounds to stop.
- When the lifting system fails, release the button, long press the "⬆" button, the reset will be completed until the lifting system reached bottoms then rebounds to stop.

• Lifting

Tap and hold "⬆" or "⬇" button to adjust the height of the desk.

• Troubleshooting

If there is no response after pressing the "⬆" or "⬇" button after working for a period of time, please rest for more than 18 minutes before using it again.

Waste disposal



This sign indicates that this product should not be disposed with other household wastes. To prevent possible harm to the environment or human health from uncontrolled waste disposal, please recycle it responsibly to promote the sustainable reuse of material resources. To return your used device, please use the return and collection systems or contact the retailer where the product was purchased. They can recycle the product, ensuring environmental safety.