

# **Purafide Air XP360**

## **User Manual**



[www.purafideair.com](http://www.purafideair.com)

# READ AND SAVE THESE INSTRUCTIONS

## WARNINGS

### **Failure to comply with the warnings listed below may result in electric shock or serious injury.**

This product should be used only in accordance with the specifications outlined in this manual. Usage other than what has been specified here may result in serious injury.



Read all instructions before using the air purifier to reduce the risk of electrical shock, fire or injury:

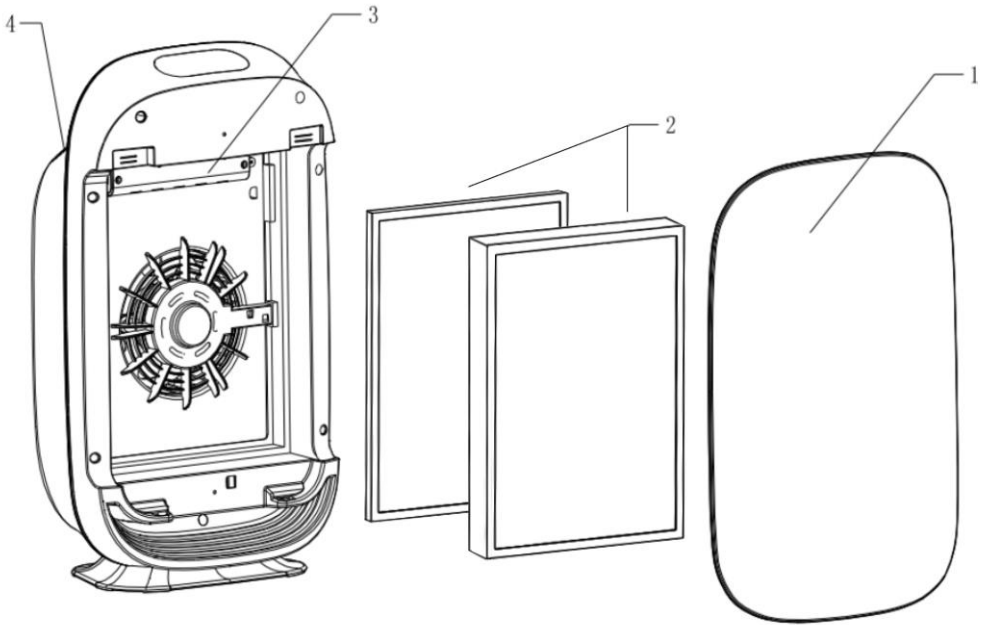
- This air purifier can be used by children aged 8 years and above and adults with reduced physical, sensory or mental capabilities or lack of experience and knowledge if they have been given supervision or instruction concerning use of the air purifier in a safe way and understand the hazards involved. Children should not play with the air purifier. Cleaning and user maintenance should not be made by children without supervision.
- This air purifier is not intended for use by persons (including children) with reduced physical, sensory or mental capabilities, or lack of experience and knowledge, unless supervised by a person responsible for their safety or if they have been given instructions concerning use of the air purifier.
- If the power cord is damaged, it must be replaced by a trained service agent or another person with similar qualifications to avoid any hazard.
- This air purifier is not a substitute for proper ventilation, regular vacuum cleaning or use of an extractor hood or fan while cooking.
- Leave at least 7.5 inches (20cm) free space behind and on both sides of the air purifier and leave at least 12 inches (30cm) free space above the air purifier.
- During the operation of the product, please place the air purifier at least 6 feet (2m) away from any other equipment or appliance which involves electric waves (if any are present in the environment) to prevent electrical interference with such equipment or appliance.
- Remove the power plug from the wall outlet before cleaning the air purifier and when not using the air purifier to avoid electrical shock, short circuit and/or fire hazard.
- When removing the power plug, always hold the plug and never pull the cord to avoid electrical shock, short circuit and/or fire hazard.
- Do not use the air purifier if the power cord or plug is damaged or the connection to the wall outlet is loose.
- Do not insert fingers or foreign objects into the air intake or air outlet.
- Do not use this air purifier within 2 feet (61 cm) of any gas air purifier or fireplaces.
- Do not block the air inlet and outlet, for example by placing items on the air outlet or in front of the air inlet.
- Do not let water or any other liquid or flammable detergent enter the air purifier to

avoid electric shock and/or a fire hazard.

- Do not clean the air purifier with water or any other liquid or a (flammable) detergent to avoid electric shock and/or a fire hazard.
- Do not place anything on top of the air purifier and do not sit on the air purifier.
- Do not place the air purifier directly below an air conditioner to prevent condensation from dripping into the air purifier.
- Do not use this air purifier when you have used indoor smoke-type insect repellents or in places with oily residues or chemical fumes.
- Do not use the air purifier in a room with major temperature changes, as this may cause condensation inside the air purifier.
- Do not use the air purifier in wet surroundings or in surroundings with high ambient temperatures.
- To reduce the risk of electric shock, this air purifier has a polarized plug (one blade is wider than the other). This plug will fit in a polarized outlet only one way. If the plug does not fit fully in the outlet, reverse the plug. If it still does not fit, contact qualified personnel to install the proper outlet. Do not alter the plug in any way.
- This product complies with the maximum allowable concentration of ozone of 0.050 parts per million by volume (ppmv) in a 24-h period.

**CAUTION:** This air purifier should be inspected frequently and collected dirt removed from it regularly to prevent excessive accumulation that may result in flashover or a risk of fire.

## Construction



1- Front panel

2- Filter: Washable pre-filter+HEPA filter and activated carbon filter

3- UV-C lamp

4- Air outlet

## Before first use

**Note:** This air purifier comes with all filters fitted inside, but the packaging of the filters needs to be removed before using the air purifier.

1. Carefully remove your air purifier from the box and cloth 'travel' bag.

2. Select a firm, level and flat location for the air purifier.

\*For proper air flow, locate the air purifier at least 1 foot from any wall or furniture.

\*Make sure none of the grills are blocked.

3. Before using, remove the filters, unpack them and fit them back at the original place.

4. Plug the power cord into the correct voltage AC outlet.

**IMPORTANT:** When moving the air purifier, always lift the air purifier by the carrying handle located on the back.

## Purification system

Improve your indoor air quality with your new Purafide Air Purifier. Multiple levels of cleaning include a combination H13 HEPA filter that captures allergens, and Activated Carbon filter to remove odors. UV-C light technology enhances germ-killing.

**Washable Pre-filter:** Trapping big particles like human hair, pet hair and bird feather etc., help extend life of HEPA and Activated Carbon filter.

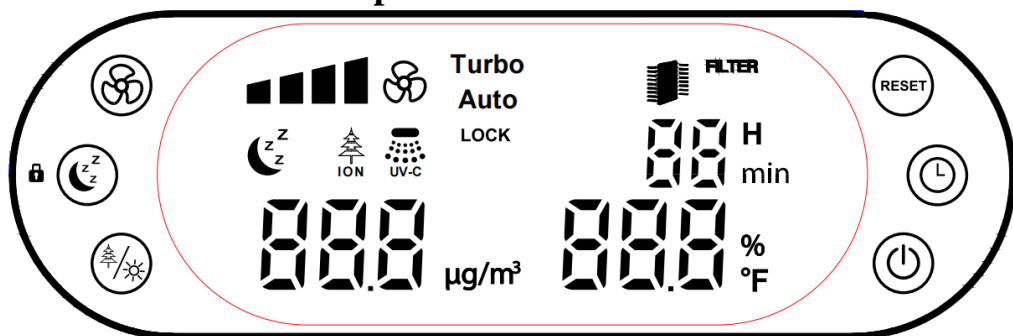
**HEPA filter:** The high-performance H13 HEPA filter is over 99.97 % efficient in trapping all allergens and airborne contaminants down to 0.1 micron in size such as: dust, mold spores, plant spores, pet dander, pollen etc..







**Activated Carbon filter:** The activated carbon filter reduces the toxic fumes, foul odors and other VOCs effectively.

**UV-C:** UV Light (254NM) destroys microorganisms such as germs, viruses, bacteria and fungi (such as mold toxins).

**Ion (on/off):** Negative ion improves the air quality by combining with dust or reacting with odor molecules attached on the wall. Plenty of negative ions exist in natural surroundings such as waterfalls or forests. In this mode, negative ions bring the room air close to this natural environment.

## Operation Guidance



-  1. **Power button:** Press to turn the air purifier ON/Off.
  -  2. **Fan speed:** Press this button one or more times to select the desired fan speed.
  -  3. **Sleep mode/Child Lock:** Press the button to turn the sleep mode on/off. In sleep mode, the *moon* indicator flickers for 5s after which the display and all LEDs turn off. Pressing any button can cancel the sleep mode. Press and hold the button for 3 seconds turns the Child Lock function on/off.
  -  4. **UV/ION button:** Press this button to turn the UV lamp and ION function on/off. Both functions operate or turn off together.
  -  5. **RESET button:** Filter symbol on display indicates it is time to replace the filter with a new one. After you have changed the filter, press and hold this button for 3 seconds to reset the filter timing.
- Note:** Touching this button displays the remaining life of the HEPA filter. For example a reading of 76 means 76% of the filter's life remains.
-  6. **Timer setting:** Press this button to set the switch off timer. You can choose from 1 to 24 hours.

## Fan speed indicator



## UV light indicator



## Auto operation indicator

**Auto**

## Timer indicator



## Sleep mode operation



## PM 2.5 indicator



## Temperature and Humidity indicator



## Filter change indicator



## Air quality indicator

Blue: PM2.5 0-10

Yellow: PM2.5 10-20

Orange: PM2.5 20-40

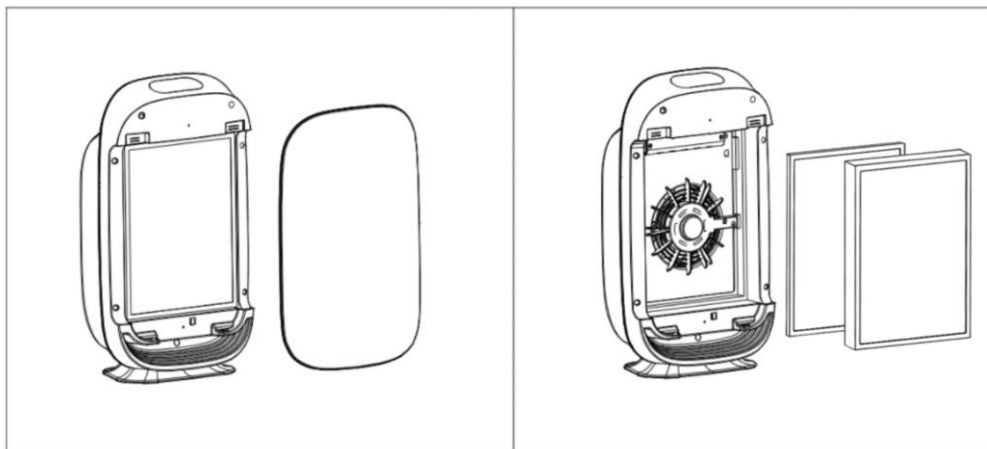
Red: 40 ++

## Filter Change Indicator

The FILTER icon lighting up indicates that it is time to replace the H13 HEPA filter. Replace the filter according to the following instruction then press the RESET button and hold for 3 seconds to restart the system, the warning light will turn off.

The HEPA Pre-Filter should be cleaned at least once a month or as needed. See pre-filter maintenance below for instructions.

The Activated Carbon Filter should be replaced as needed. This filter traps odors and other pollutants in the air similar to how a sponge works. Once it has trapped as much as it can hold it will no longer be effective. This is when it needs to be replaced. A great indicator is when you notice that it is no longer removing odor from the air. Everyone's environment is different and the life of this filter will vary depending on that environment.



Open the front cover by pulling simultaneously on both sides of the top of the panel. The bottom of the panel has 'feet' that rest in corresponding slots.

Remove the filters by pulling the two strips on top and bottom of the filter.

Insert new filters into the air purifier according to the direction of airflow shown on the filters. The pull tabs should be on the outside where you can see them.

Reattach the front cover of the air purifier by placing the 'feet' on the back of the panel into the slots that they were removed from. Gently and securely press the panel top into the air purifier. The magnets should catch and hold the panel in place..

Press and hold the reset button for 3 seconds to reset the filter.



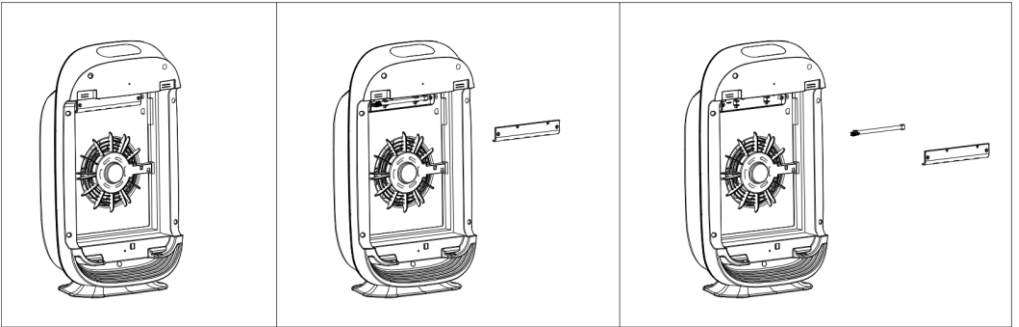
### ▲ Pre-filter maintenance

-The pre-filter is detachable from the main filter assembly. It can be removed and washed with water. It can also be vacuumed if preferred. If washed, please ensure that it is completely dry before placing it back on. Pre-filter should be cleaned at least once a month to extend the life of the HEPA filter.

-Do Not use a sharp object to clean the pre-filter, it can cause damage.

### UV Lamp Replacement

(UV model: ZL09150W-Z)



Open the UV lamp cover with a screwdriver only when replacement is needed.

1. **IMPORTANT:** Unplug the air purifier. Never work with the UV light while it is turned on.
2. Grasp the wire connector and gently unplug it, removing the UV bulb from the air purifier.
3. Install the new UV lamp and re-attach the cover.

**Note:** Do not look directly at the operating UV lamp when it is turned on.

**Maintenance Caution**

### **▲ Product cleaning**

- Make sure to unplug the air purifier before cleaning it.
- Do not put the air purifier into the water or use water to wash it.
- Do not use any corrosive or flammable detergent to clean the air purifier, it may cause damage.
- Use a soft cloth with a daily cleanser to clean the air purifier. Make sure the air purifier is dry after cleaning.
- Regularly clean the inside and surface to prevent dust from gathering.
- Regularly clean the air inlet and air outlet.
- Regularly clean the dust sensor with a cotton swab to protect its sensitiveness.

### **▲ When the air purifier will not been operating for a long time**

- Please pack and store well to protect the air purifier.
- When reusing after a long time:
  - Clean the pre-filter and make sure it's dry before use.
  - Use soft cloth to clean the HEPA and Activated Carbon filters and make sure they are dry before use.
  - Use soft cloth to clean the air inlet and air outlet.

### **▲ Caution**

Proper use and regular maintenance ensure that your Purafide air purifier operates well and extends the life of the product. Unqualified or untrained individuals should not disassemble the air purifier. It can cause serious injury or damage to life and property.