



## XP280 Instruction Manual

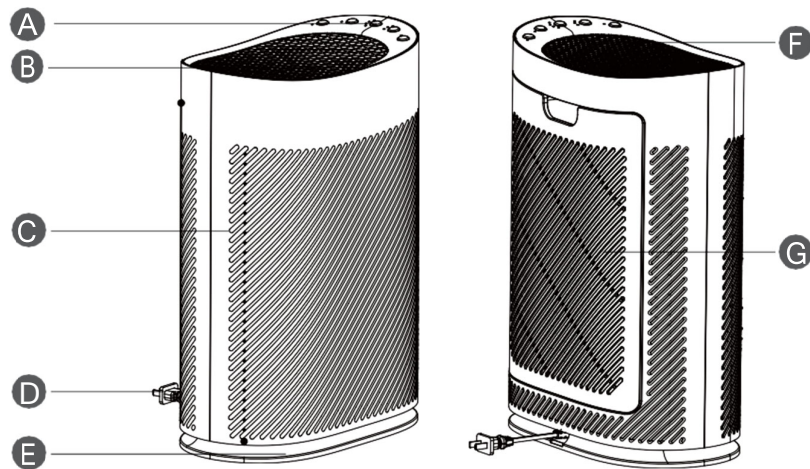
**Remove Filter From Plastic Bag  
Before Powering The Unit On.**

## Table of Contents

Product Description & Controls	<b>1</b>
Safety precautions	<b>3</b>
Important Matters	<b>4</b>
Working Principle	<b>4</b>
Before Use	<b>5</b>
Instructions	<b>5</b>
Product Configuration and	<b>6</b>
Parameters Maintaining	<b>6</b>
Troubleshooting	<b>6</b>

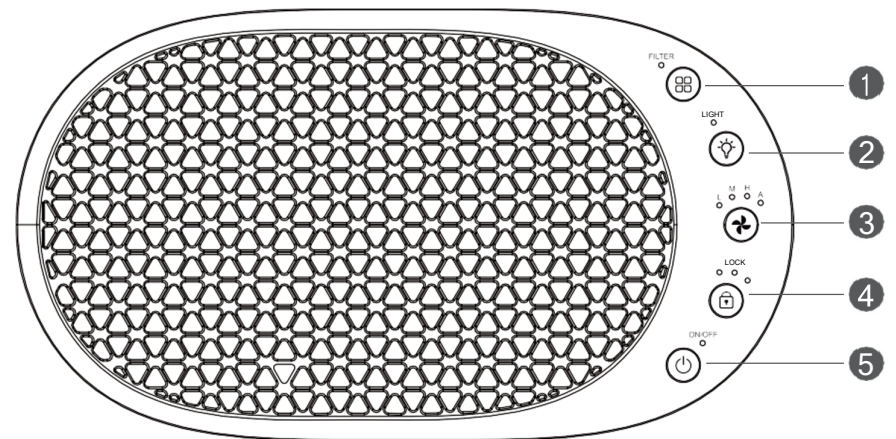
\*Remove the filter from plastic bag before turning on the power

## Product Description and Controls



### Product description

- A Control button    B Air outlet Grill    C Fuselage    D Power Cord
- E Base    F Air quality indicator    G Air inlet Grill



### Control button

- 1 Filter reset    2 Light on/off    3 Fan speed adjustment + Auto mode
- 4 Child lock    5 Power on/off

## Safety Precautions

---

Before using the product, please read the instruction carefully.

- For your safety, this product conforms to the standards and regulations (Low Voltage, Electromagnetic Compatibility, Environmental Protection).
- Without supervision this product is not suitable for people with physical, sensory, or mental disorders (Including children), or those who lack experience or knowledge in using it, unless supervised by those responsible for their safety or given prior instructions on machine use.
- Children should be taken care of to ensure they do not play with this product.
- Do not use this product if the power cord is damaged. If the power cord is damaged, to avoid danger, it must be replaced.
- Children must not clean and maintain the product without supervision.
- When servicing this product, refer to the "Maintenance" section of the manual. Keep the power cord out of reach of children under the age of eight.
- This product is designed for indoor use and should not be used in industrial applications. If the product is damaged due to improper operation, the warranty is invalid.
- Do not operate the product in extreme dusty, humid, or hazardous locations. Always ensure that the electrical plug and power cord are good before use. Do not insert foreign objects into the device.
- Do not pull on the power cord or equipment or pull cord to unplug the plug from the outlet.

## Important matters

---

- Do not cover the air inlet or outlet.
- For safety avoid touching the appliance when wet.
- Do not allow any liquid to enter the unit.
- Do not use this product in an extreme damp location.
- Do not place this product close to extreme heat sources (fireplaces or radiators)
- Do not place anything on the unit or insert any foreign objects into it.
- When the product is not used for a long time: Turn off the device and unplug the power cord using the button (6).
- Turn off the device and unplug it before moving.
- Unplug the device when assembling or cleaning the device.

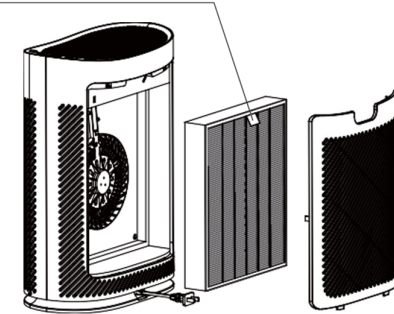
## Working Principle

---

This air purifier filters large particles of dust, hair, PM2.5, allergens, and removes odors to protect your health and family.

### Pre-filter + H13 HEPA Filter

- Odor
- Secondhand smoke
- Tiny Particles (PM2.5)
- Pollen
- Mites
- Allergen
- Bacteria/Virus



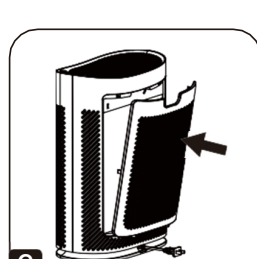
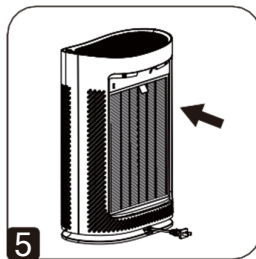
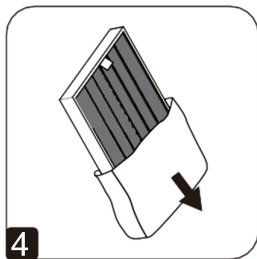
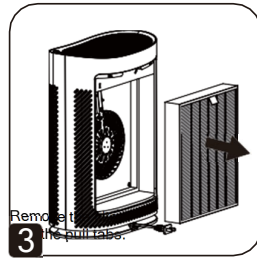
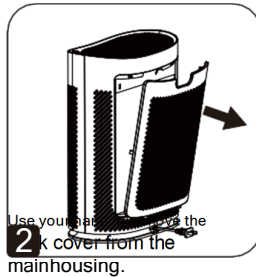
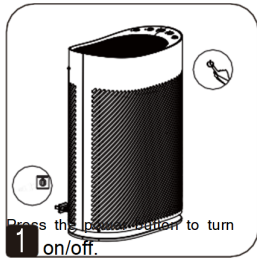
## Before Use

Select the room where you need to purify the air and place the purifier on a stable floor or ~~carpet~~ in the room.

To allow free circulation of air, avoid placing the purifier behind the curtains, next to the furniture or shelves, and near any obstacles. Keep at least 10 inches of free space on each side of the purifier.

Please confirm that the filter bag inside the machine has been removed before initial use.

- The voltage of your home matches the voltage of the unit.
- Your device can be connected to a grounded power plug. This device is a Class II appliance
- (double insulated).
- Keep the air inlet and outlet completely unobstructed.
- Ensure the filter and the rear casing are properly installed (see below).
- If the filter door is not properly installed, the unit will not work properly.
- Follow these instructions the first time you use the filter and each time filter is replaced after the life of the filter expires (Figure 1-6)



Remove new filter from the plastic bag

Install filter (without the plastic bag) back into the unit.

Install the back cover back in its original placement/position. Your unit is now ready to be used.

## Instructions for use

**Power**  
Turn the purifier on or off.

After turning on, the sensor system will take 30 seconds to initialize prior to provide the first reading of the air quality. The indoor air quality indicator's color will change based on the sensor's reading.

Color	air quality
Blue	Very good
Green	Good
Red	Poor

**Child Lock**  
When the unit is on, press this key for 3 seconds, and the system switches between the locked and unlocked states. The other functions are locked after the child lock is engaged, the lock button for 3 seconds to unlock all functions.

**Filter reset**  
When the service life of the filter expires, the filter reset button flashes red, prompting to replace the filter; after the filter is replaced, long press this button to turn off the red light and reset the filter life.

**Light**  
Press "Light" button, for the air quality indicator light to turn on/off.

**Fan speed adjustment + Auto mode**  
Press the fan speed button to adjust the speed from low, medium, high and Auto functions in turn; In Auto mode, the unit's fan speed automatically adjusts according to the air quality, and enters the auto mode by default after starting.

## Product configuration and parameters

Rated voltage:	120V/60Hz	3
Rated power:	65W	
Material quality:	ABS	

## Maintenance

Always turn off the power to the unit by pressing the Power button (5) before performing any maintenance operations. You can clean the product body with a slightly damp cloth.

**IMPORTANT:** Do not use any abrasive material to avoid damaging the surface of the device.

### Filter replacement

Filter	Operating	Frequency
Pre-filter, Anti-bacteria cloth, H13 HEPA filter.	Clean Replace	Monthly Every 2 Years (or 17,500 run hours)

The recommended filter change frequency will vary depending on the duration of use and the operating environment. The corresponding indicator will illuminate when the filter needs to be replaced.

#### Note:

\*The H13 HEPA filter cannot be cleaned or reused. Do not wash them.

\*To replace the filter in sequence, please refer to "Before Use". "First-time use of the filter to remove the filter and replace the filter after the filter has expired".

## Storage

When not using the purifier for a long time, store it in a dry, cool place.

## Troubleshooting

Do not disassemble the machine yourself; improper repair may cause danger to the user and could void the warranty!

Before contacting the after-sales service center, please check the following troubleshooting table:

Malfunction	Examination	Approach
Will not start	Is the power plugged in?	Plug in the power supply at the correct voltage.
	Are the indicators not lit?	Plug in the power supply at the correct voltage.
	Is there a power outage?	Press the switch button to select the function.
	Is back cover snapped in?	Device is available when power is restored.
Airflow is greatly weaker than before	Does the filter need to be replaced?	Clean the pre-filter monthly by vacuuming it clean or removing it to clean with soap and water. Make sure it is COMPLETELY dry before reattaching to the HEPA filter.
There is odor at the air outlet	Does the filter need to be replaced?	Check if the filter has reached the replacement cycle and replace the filter if necessary.
Fan speed cannot be changed automatically	Is it manual mode?	Choose the right mode of operation.

\*It is important that the pre-filter is cleaned monthly.

## Changing filter tips

- If you are allergic or have asthma, avoid prolong contact with used filters.
- Wear gloves when replacing the filter and wash your hands after replacement.
- Put the used filter into a sealed bag and throw it away to avoid the spread of contaminants.

