

TOWEL RING
98902



Specifications

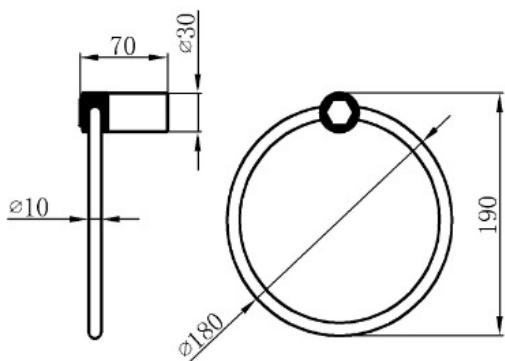
Range	DAVA
Product Code	98902
Finish / Color	MATT BLACK&ROSE GOLD
Product Type	TOWEL RING
Material	BRASS

Technical Information

TOWEL RING
WALL MOUNTED
SINGLE FIXING POINT

BOX CONTENTS:
TOWEL RING
FIXING KIT

Drawing



For more information about this product or our full product range please contact us:

E-Mail: info@elinaaqua.com

Website: www.elinaaqua.com

Graniti Building Materials L.L.C

Telephone: +971 (0) 4 269 1377

Website: www.granitiuae.com

Email: info@granitiuae.com