



PAPER HOLDER
95603



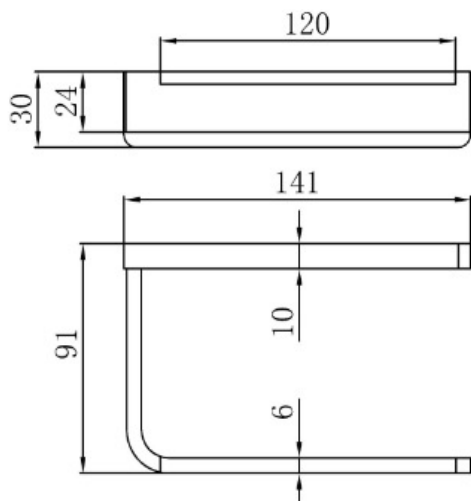
Specifications

Technical Information

Range	CARTIER
Product Code	95603
Finish / Color	CHROME
Product Type	PAPER HOLDER
Material	BRASS

PAPER HOLDER
WALL MOUNTED
DOUBLE FIXING POINT
BOX CONTENTS: PAPER HOLDER FIXING KIT

Drawing



For more information about this product or our full product range please contact us:

E-Mail: info@elinaaqua.com

Website: www.elinaaqua.com

Graniti Building Materials L.L.C

Telephone: +971 (0) 4 269 1377

Website: www.granitiuae.com

Email: info@granitiuae.com