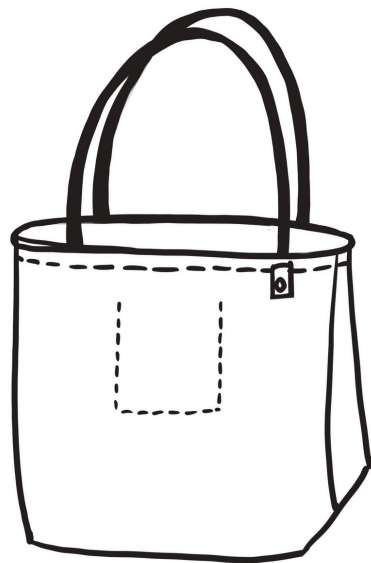


# SEWING PATTERN #11 - MARKET TOTE



An easy-peasy first project. Take it with you to the store, the gym, school. Makes a fine project bag for your sewing or knitting, too.



**NOTE TO SELF**  
*Today will be a good day!*



- **Market tote is 15" tall x 17" wide x 6" deep**
- We put a little slip pocket inside for keys, essentials.
- Straps are simple, sturdy, generous 26" long.

## Materials

- **Fabric:** 1/3yd laminated cotton 18"w x 36"L + 7"x7" for pocket
- **Webbing:** 56" 1" nylon or other webbing.
- Notions can be purchased @seattlefabric or @sallietomato

## Sewing Notes

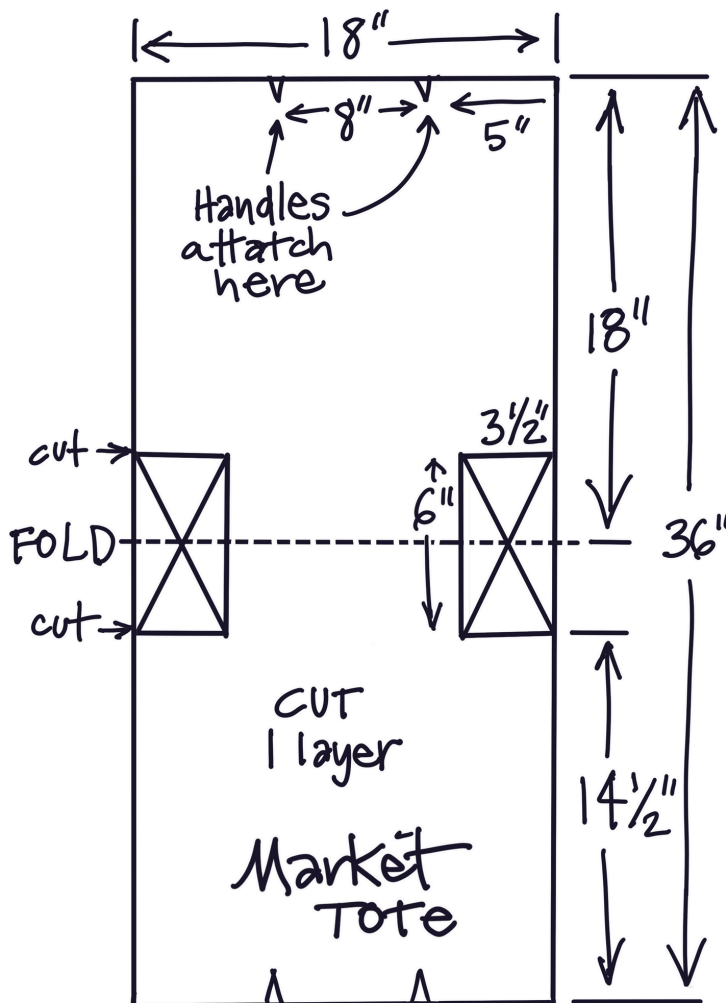
Bags use heavier #40 thread + sharp Denim needle.

Even better: SCHMETZ NonStick needle size 80 or 90.

Use a long stitch length #3 or 3.5

No need to bind or serge cut edges as fabric won't fray - it's sealed.

Seam allowance 1/2"



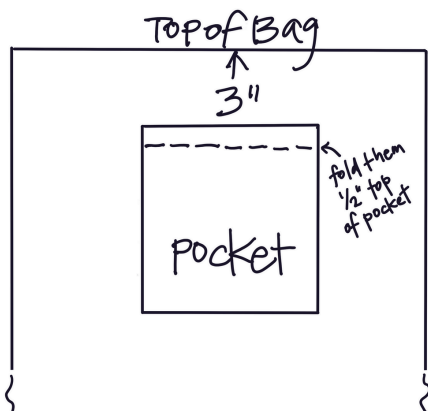
## Cut

- 1) Cut 1 rectangle, 18"w x 36" L  
You can fit 3 across on 1 yard of our 55" wide laminated cotton  
Cut 1 pocket of same or different print 7"x7"

Note: With bags, as opposed to garments, it doesn't matter which way you cut the patterns on the fabric. Crossways is fine.

Note: Our fabric prints are designed to accommodate cutting horizontal or vertical. Our fabrics are 55/56" wide.

- 2) Fold body rectangle in 1/2 lengthwise.
- 3) Cut box corners 3" x 3.5" out of the folded corners (illustration pg 3)



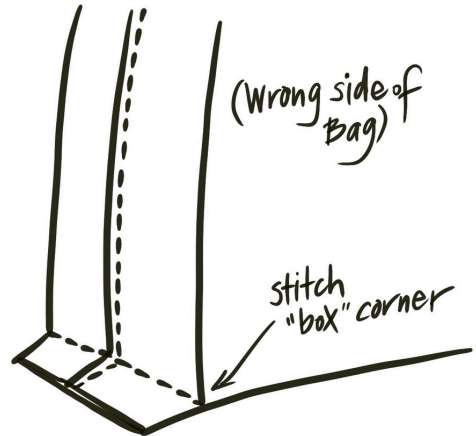
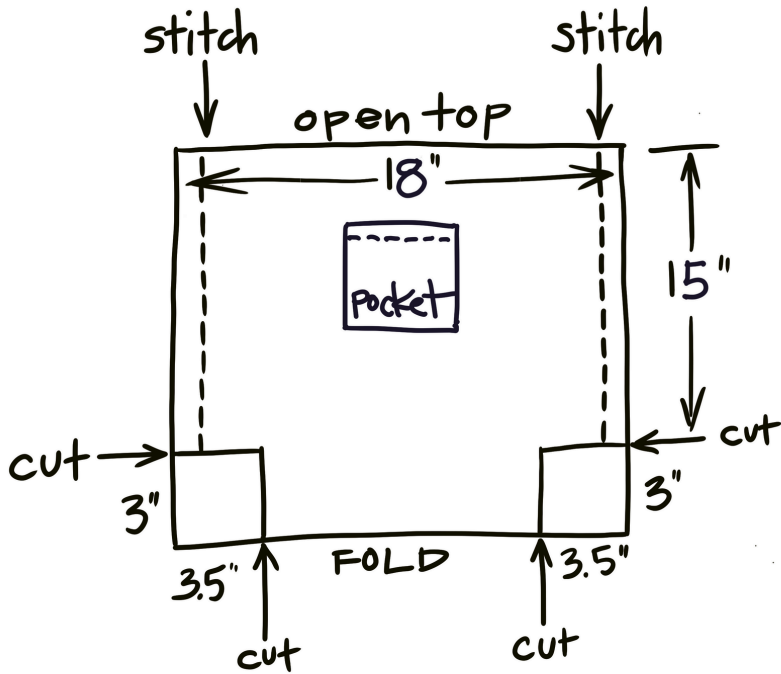
## Sew Pocket

- 4) Fold 1/2" over, hem top.
- 5) Sew onto inside of bag, centered, 3" from the top.

## Sew bag

6) Stitch both sides of your tote, WST.

7) Fold bottom box corners flat & stitch.



8) Turn bag right side out. Fold top over 1" to finish the top of the bag. Clip or pin fold down. Yes, you can also iron it flat.

9) Cut & melt the ends of your 28" nylon (or other) 1" strap

10) Pin or clip the ends of the straps to the top of the bag, centered, 8" apart. Sew the ends of the straps to the top of the bag As you sew the fold down. Sew around the top of the bag close to the top fold + again 1" down. Reinforce the stitching at the straps to make your handle strong.

The laminated cotton is stronger than it would seem. Try it out!

Load your bag + ENJOY!



## **Our Amazing Splash Fabric Laminated Cotton:**

**WIPE 'N' WASH**

100% Cotton, Laminated

Splash, Slop, Spill Proof

Durable & Long-Lasting

Water-based urethane laminated cotton CPSIA certified,  
BPA & Phthalate-free, food-safe.

Wipe clean with damp cloth, scrub stains on back side.

Machine wash warm okay, hang dry,  
iron low.

Find it @splashfabric.com

**Need fabric? Check out our website**

**@Splash Fabric.com**

**Send us a pic!**

**@splashfabric on instagram**

**Share it in our Insiders group on Facebook**

**hello@splashfabric.com**

