



# Quick Start Guide

Wuxn WXR 3D Printer



Proudly Designed &  
Assembled in USA

Wuxn LLC  
[www.wuxn3d.com](http://www.wuxn3d.com)  
Version 1.0.2

We are truly grateful for your purchase of the Wuxn WXR 3D printer. This **Quick Start Guide** is designed to help you familiarize yourself with the printer and the Wuxn WXR ecosystem, in order to ensure you have the best possible 3D printing experience.

The Wuxn WXR offers a powerful and user-friendly ecosystem, consisting of:

1. Wuxn WXR Printer
2. WuxnSlicer Software
3. Wuxn Classic Filament

Together, these components deliver exceptional print quality, improved part strength, and fast speeds.

This is the **Quick Start Guide**, it is an abridged version of the **User's Manual**. The **User's Manual** provides deeper insight into the unboxing, componentry, calibration, software, maintenance, and printing with the Wuxn WXR.

Please download the latest versions of the Wuxn WXR documentation at [www.wuxn3d.com](http://www.wuxn3d.com).

# Safety Instructions

---



1. Exercise caution while interacting with the Wuxn WXR. Always be aware of the machine state. The hotend and hotbed move with considerable force. Keep hands and loose clothing away from moving parts. It uses electricity to heat and create motion.
2. Always place the printer on a stable surface that is well ventilated.
3. The machine is a household object that utilizes 230 VAC/50 Hz or 120 VAC/60Hz. Never connect the printer to an outlet that does not supply the correct power.
4. The device is for indoor use only. Do not place the machine in the rain, snow, highly-contaminated areas, or areas containing flammable, or explosive vapors.
5. Never disassemble the power supply; The power supply is not serviceable by the user.
6. Do not touch the nozzle or hotbed while in use. The printer can reach temperatures of 300° Celsius. Temperatures of above 40° Celsius can cause harm to humans or animals.
7. Do not reach into the operating printer or injury may occur.
8. Do not allow unsupervised children access to the machine.
9. Do not leave the printer powered on while unattended.
10. Never operate the machine without reading the entire contents of the Wuxn WXR **Quick Start Guide** and **User's Manual**.

# Boxed Components

---



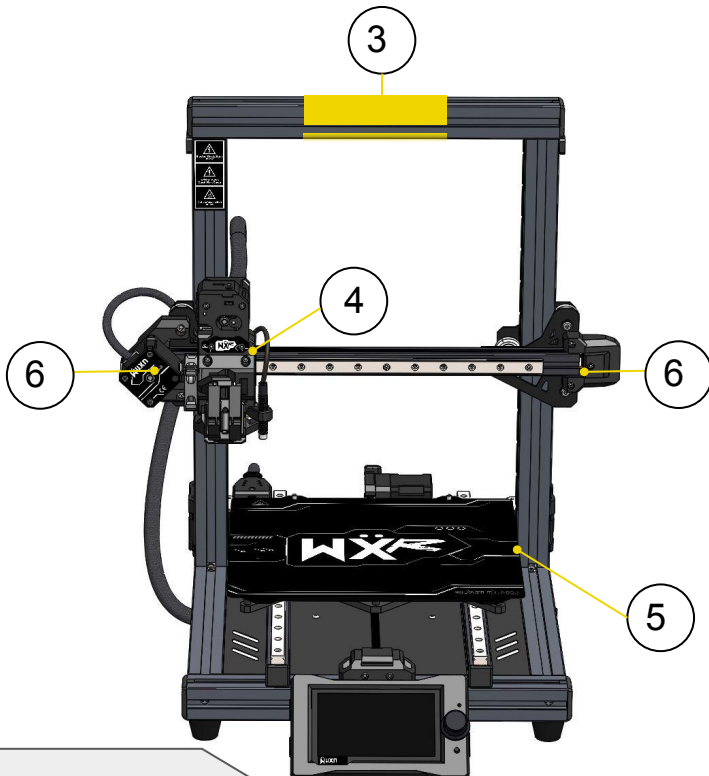
**Important:** Save the packaging for the future. It is designed specifically to protect the printer while shipping and storing.

- ★ Wuxn WXR Machine
- ★ Wuxn Print Surface
- ★ Wuxn Classic PLA - 1kg
- ★ Accessories Box
- ★ Quick Start Guide
- ★ Quality Assurance Test
- ★ Package Checklist

# Unboxing

---

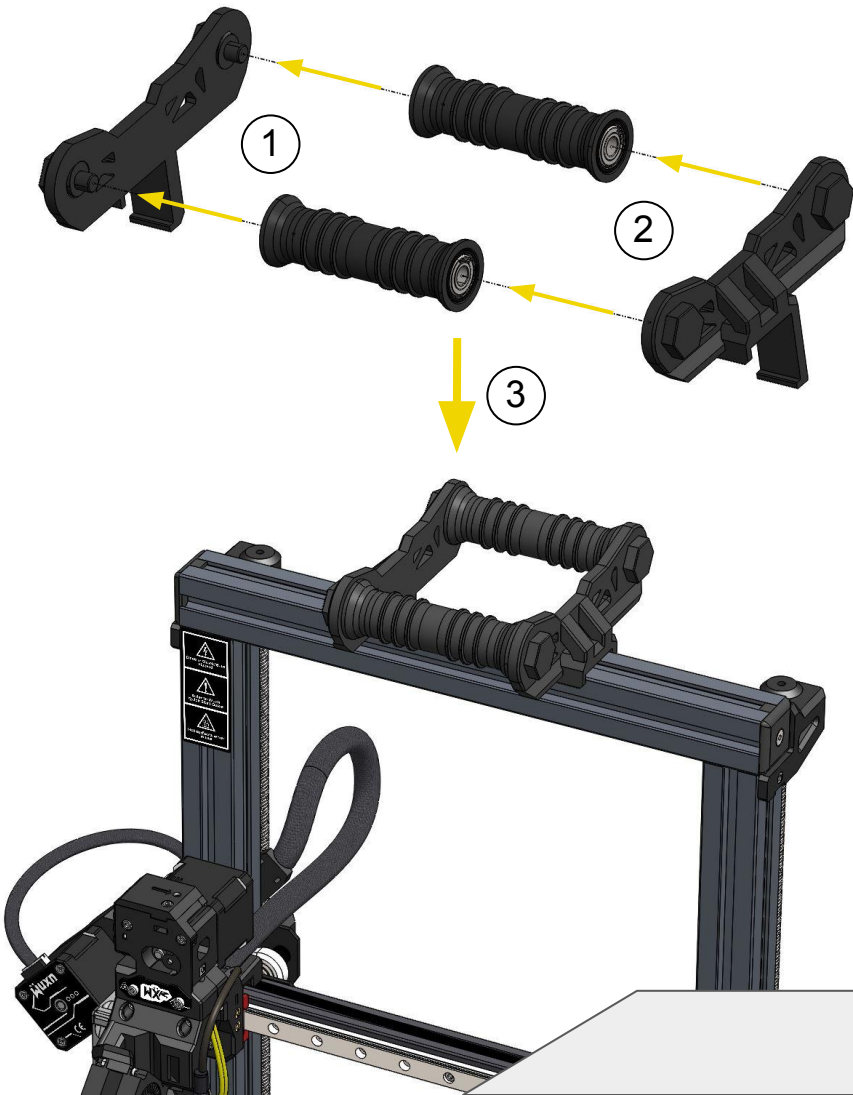
1. Carefully remove external plastic from box, cut Wuxn tape along top box seam, spread box flaps to expose the top protective packaging.
2. Lift out top protective packaging, dividers, and accessories kit.
3. Lift the Wuxn WXR out of the box and place on a flat and stable surface.
4. Using the provided 2.5mm allen key, remove and save the orange stoppers holding the extruder.
5. Remove and save the orange stopper holding the hotbed.
6. Remove and save the two orange Z-axis stoppers from the sides of the vertical columns.



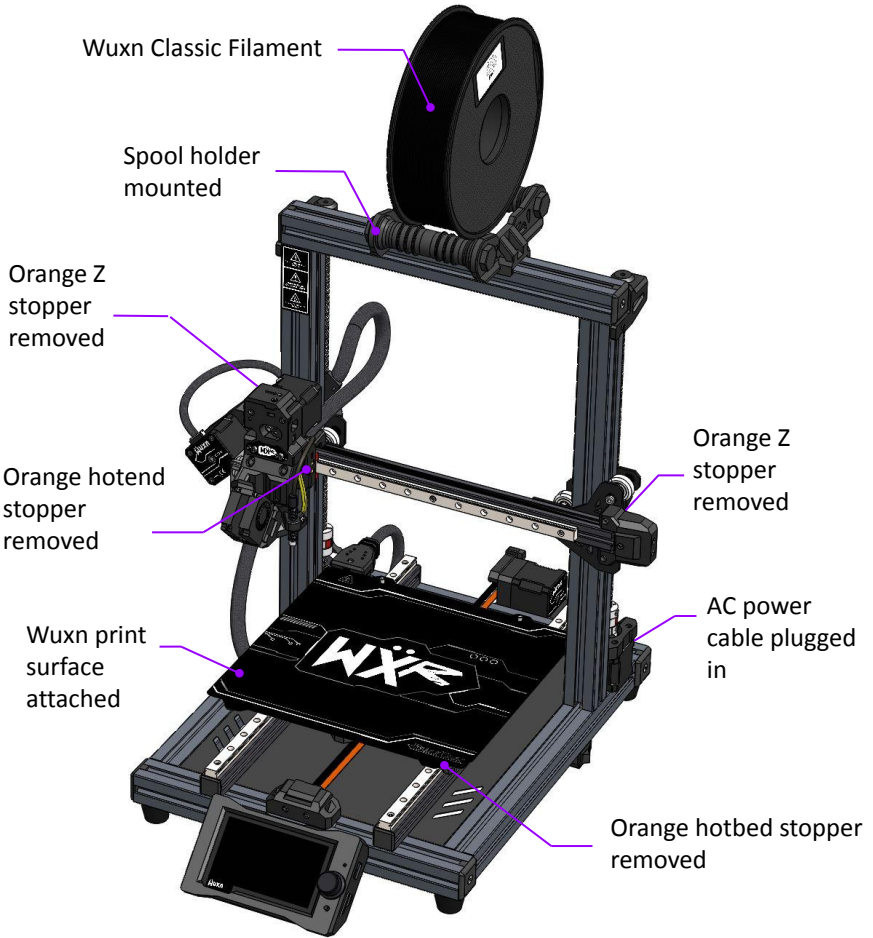
# Assemble Spool Holder

---

1. Slide spool rollers onto left spool bracket.
2. Slide right spool bracket into spool rollers.
3. Snap on spool holder to the top center of frame.



# Final Inspection



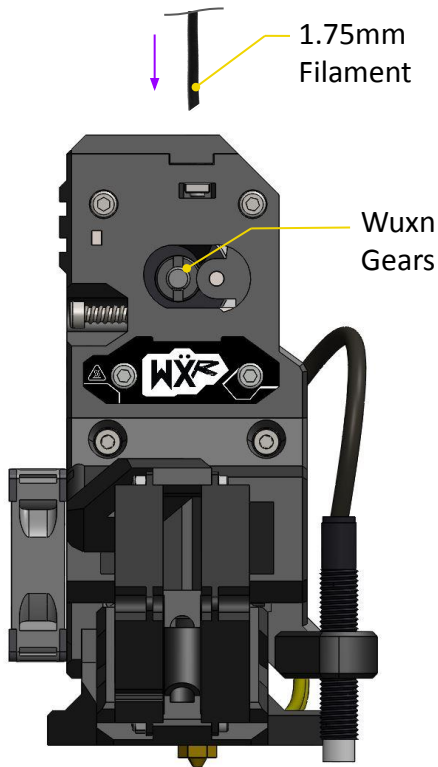
Important - Have the provided SD card at the ready, but do not insert into the printer yet. Always place the printer on a stable surface that is well ventilated. Do not leave the printer powered on while unattended.



Hot surfaces while in use. Contact may cause burns.

# Auto-Loading Filament

---



1. Cut Wuxn Classic filament tip at a sharp angle (45°).
2. Insert the filament into the top of the extruder subassembly.
3. The Wuxn gears will automatically start turning and pull the filament into the hotend.
4. Follow the Wuxn WXR TFT display prompts to finish loading the filament into Extruder subassembly.
5. Remove the excess filament from the nozzle with pliers.

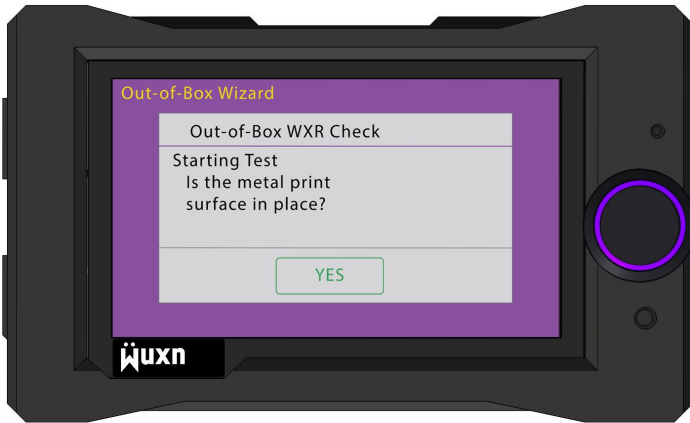


Hot surfaces while in use. Contact may cause burns.



# Out-of-Box Wizard

---



**Important:** Complete *Final Inspection* before first power on to avoid damaging the machine.

The Out-of-Box Wizard is used to calibrate the Wuxn WXR and will execute when the machine is powered on for the first time. Follow the prompts. Please do not insert the SD card until prompted to do so by the Out-of-Box Wizard.

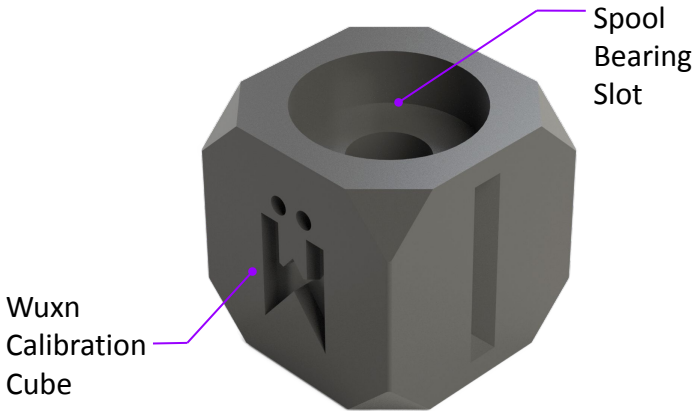
Use the Out-of-Box Wizard and other Wizard Items to calibrate your printer after maintenance or modifications.

The Out-of-Box Wizard runs automatically once. If you wish to run it again in the future, use the Wuxn WXR TFT display menu:

“Menu>Wizards>Factory Reset”, then follow the prompts.

# First Print

---



The Wuxn Calibration Cube is printed to confirm dimensional accuracy and print quality of your new Wuxn WXR machine.

The Wuxn WXR machine comes with an extra spool roller bearing. Place the bearing into the top of the cube. The bearing should fit snugly and not fall out, due to gravity, when turned upside down.

The length, width, and height of the cube should measure 30mm respectively. Using a pair of calipers, measure the three lengths to determine if the tolerances are +/-0.1mm.

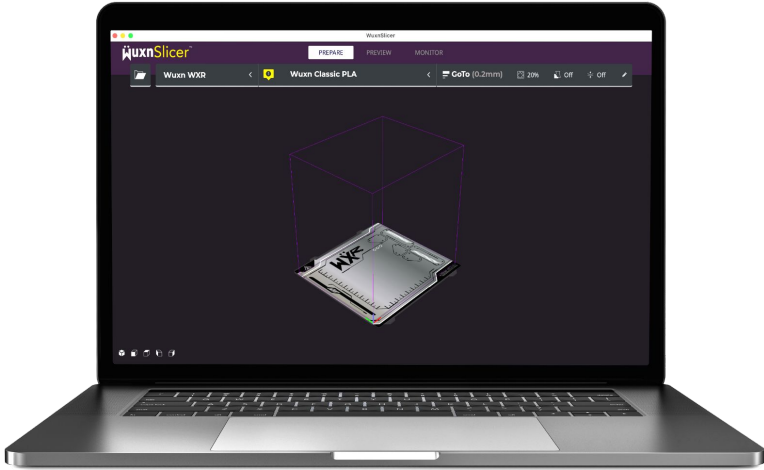
Learn how to address potential issues when printing the Wuxn Calibration Cube by downloading the **Wuxn WXR Users Manual** from [www.wuxn3d.com](http://www.wuxn3d.com).

**Fun Fact:** The faster you print objects the weaker they are. As the print speed increases the amount of time available for molecular diffusion to occur within the layers decreases. A shorter time of diffusion impacts the microstructure bonds, resulting in an imbalance of molecular forces. The “non-uniform” forces create weaker bond regions and increase the risk of mechanical load fracture/failure in the affected area(s).

**Wuxn LLC**

# WuxnSlicer

---



WuxnSlicer is the recommended software for converting 3D objects into specific instructions for Wuxn 3D printers. WuxnSlicer is a derivative of Ultimaker Cura.

WuxnSlicer + Wuxn Firmware + Wuxn Filament have been engineered to optimize print performance, quality, strength and speed.



Please visit [www.wuxn3d/pages/software-firmware](http://www.wuxn3d/pages/software-firmware) to download the most recent version of WuxnSlicer for Mac or PC.

# Support & Warranty

---

## Customer Care

The 1 year Limited Warranty is valid for products purchased from [www.wuxn3d.com](http://www.wuxn3d.com) only, starting from the date of the original retail purchase. We will provide customer service for any defects in quality or materials under normal, non-commercial use.

1. This warranty provides, at no extra cost to you all parts necessary to ensure your machine is in proper operating condition during the warranty period.
2. We will provide replacement parts for your machine if found to be defective due to faulty materials, and workmanship assembly within 1 year of purchase.

## What is not Covered

- Wuxn shall not be liable for costs of replacement of a product incurred as a result of: accidental damage, faults caused by negligent use or care, misuse, careless operation or handling of the product which is not in accordance with this **Quick Start Guide** or **User's Manual**.
- Machines purchased from unauthorized dealer.
- Use of parts and accessories other than those produced or recommended by Wuxn.
- Repairs or alterations carried out by unauthorized parties or agents.

## Warranty Service

- If you have a query about your Wuxn product, please contact the Wuxn customer service email: [support@wuxn3d.com](mailto:support@wuxn3d.com)
- Please inform us of your model name/number, purchase date, order number, machine problem, and how we might assist you.

