

## **SI300 SERIES WIDE BAND INDOOR ANTENNA INSTALLATION GUIDELINES**

### **1. QUICK CHECK**

1.1. Upon receipt of your antenna, please check the material against the parts list enclosed. If shortage or damage is apparent, notify the carrier immediately.

1.2. Inspect the antenna feed connector to determine that it mates with the end of your transmission line. Do not remove radome, connector or cable from the antenna as they are all part of the antenna.

1.3. Always protect the connector and other parts of the antenna from damage when moving, lifting or testing.

1.4. A check of the antenna VSWR is recommended prior to installation and measurements should be recorded for future reference.

### **2. ANTENNA INSTALLATION GUIDELINES**

The antenna should be placed as high as possible and still be able to clear overhead obstacles. Flat areas are to be preferred and excess curvature must be avoided. If possible, the antenna should be located away from any protruding structural member which might cause shadow effect. It is impossible to predict the resultant effect of shadowing structures except by exact modeling. System evaluation based on practical performance requirements is usually the best approach.

To reduce the "mutual" effect on antenna impedance caused by re-radiation from nearby structures, mount the antenna at least 10" (254mm) away from the structures in any direction. If the antenna is installed in a multi antenna environment, it is recommended that the SI300 antenna should be kept a minimum of 24" (610mm) away from any VHF antenna, a minimum of 18" (457mm) away from any UHF antenna and a minimum of 12" (305mm) away from any other frequency antennas.

The input connector on the antenna is optional N-Male, N-Female, BNC-Male, BNC-Female, TNC-Male, TNC-Female and 4.3-10 female Connector. The mating connector are not provided with the antenna.

**3. RECOMMENDED INSTALLATION PROCEDURE**

INSTALLATION EQUIPMENT TO BE SUPPLIED BY CUSTOMER:

25mm hole punch tool

Hand Torque for the Hex Head Nut

3.1. Drill or punch out a 25mm diameter hole into the ceiling tile at the center of the mounting location of the antenna.

Place the feed cable with connector and the threaded mounting tube, which are part of the antenna assembly, into the open mounting hole of the ceiling tile. On the outside holding the antenna parallel to the ceiling tile. On the vehicle interior guide the hex nut over the input connector and cable on to the mounting tube.

3.2. Tighten the hex-nut by fingers to prevent the antenna from rotating hold on to the antenna radome by hand. Do not use any metal tools which could scratch the outside surface of the radome.

**4. SAFETY**

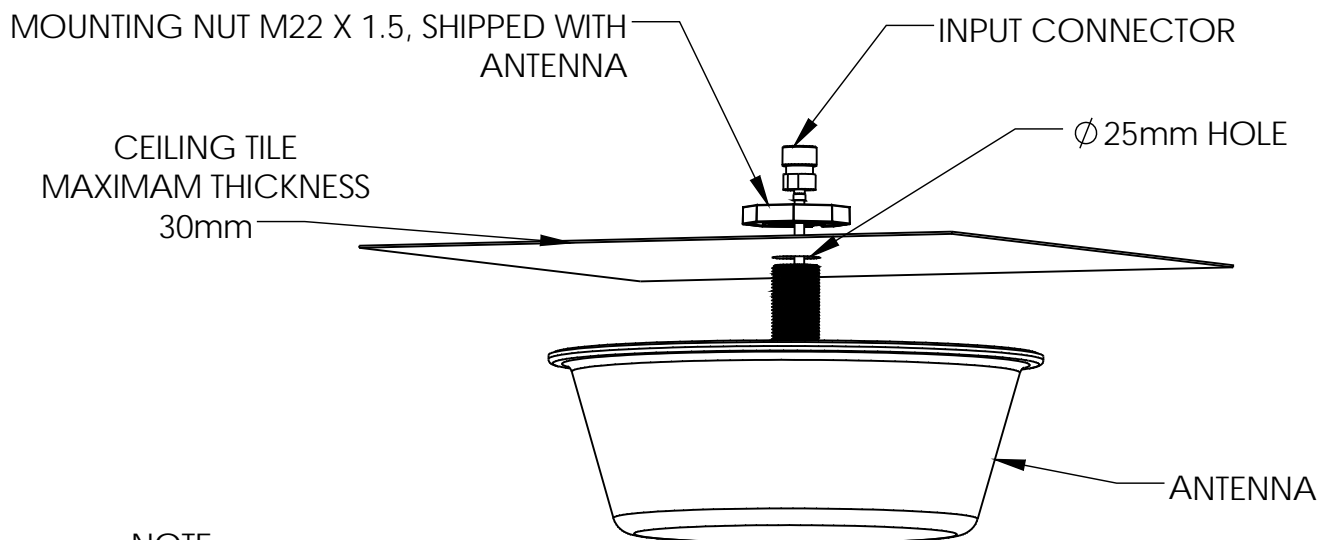
**DANGER**

ANTENNA CONTACT WITH HIGH VOLTAGE WIRES  
MAY RESULT IN DEATH FROM ELECTROCUTION

The Antenna and Radome are designed as an integral component. The unit cannot be repaired on site. Should it fail, the unit must be replaced.



ITEM NO.	PART NUMBER	DESCRIPTION	QTY.
1	TO SUIT	SI300 SERIES ANTENNA ASSEMBLY	1



NOTE:

SI300 SERIES ANTENNA CAN BE MOUNTED ON METAL OR NONMETAL CEILING.

