

### TN3212-R-3 Cavity-ferrite Transmitter Combiner, 8.5" Cavities, 406-440 MHz

- Minimum Tx-Tx separation of 0.1 MHz
- Low loss broad band dual stage isolators
- Expandable for more channels
- Uses high 'Q' 1/4 wave bandpass cavity filters that are horizontally mounted

Sinclair's 'TN321x-R-y' series cavity ferrite transmitter combiners are available in 2 to 5 channel configurations for use in systems from 406-512 MHz. Each channel on these combiners includes a low-loss, broad band single or dual-stage isolator and High 'Q' 1/4 wave bandpass cavity filter suitable for close channel separations, typically 100 KHz.

The 'TN321x-R-y' series combiners can be expanded to 20 channels. For expansion please contact the Sinclair Systems group.

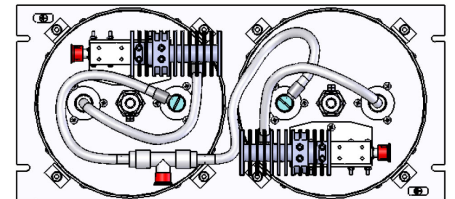
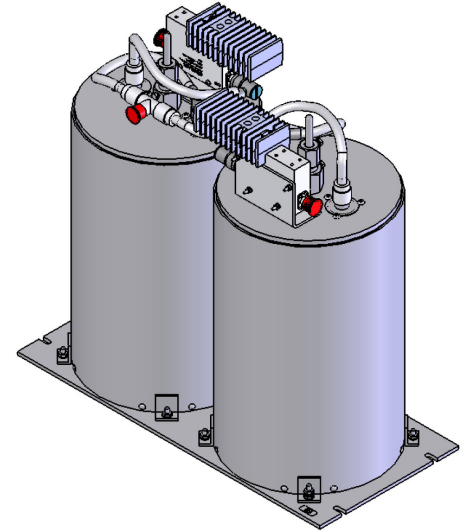
The model naming convention is described below:

x= Number of channels:

x=2	2 channels
x=3	3 channels
x=4	4 channels
x=5	5 channels
x=6	6 channels

y= Sub-Band:

y=3	406-440 MHz
y=4	430-470 MHz
y=5	459-512 MHz



Region	United States	Europe, Middle East and Africa	Caribbean and Latin America	Canada and rest of the world
<b>Telephone</b>	USA: 1 800 263 3275	International: +44 (0) 1487 84 28 19	International: +1 905 726 7676	Canada: 1 800 263 3275 International: +1 905 727 0165
<b>E-mail</b>	salesusa@sinctech.com	salesuk@sinctech.com	salesla@sinctech.com	salescan@sinctech.com

### Electrical Specifications

Frequency Range	MHz	406 to 440
Number of channels		2
Input Connectors		N-Female
Output Connectors		N-Female
Input VSWR (max)		1.25:1
Output VSWR		2:1
Maximum Input Power (per channel)	W	125
Frequency separation (min)	MHz	0.1
Isolation Tx to Tx	dB	60
Isolation antenna to Tx	dB	50
Cavity electrical length		1/4

### Notes

\*1 : 80 Watts at 100KHz spacing  
125 Watts at >= 150KHz spacing

### Mechanical Specifications

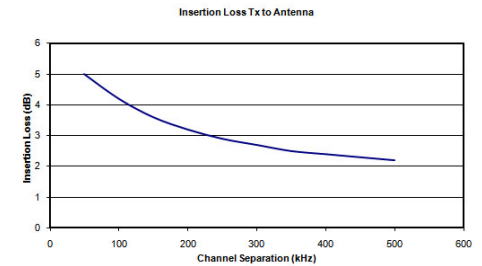
Width	in (mm)	19 (483)
Depth	in (mm)	21.5 (546)
Length/ Height	in (mm)	8.75 (222)
Finish		Black
Weight	lbs (kg)	23.5 (10.67)
Shipping dimensions	in (mm)	17x22x22 (432x559x559)

### Environmental Specifications

Temperature range	°F (°C)	-22 to +140 (-30 to +60)
-------------------	---------	--------------------------

### Ordering Information

Specify one Tx frequency per channel.



Region	United States	Europe, Middle East and Africa	Caribbean and Latin America	Canada and rest of the world
<b>Telephone</b>	USA: 1 800 263 3275	International: +44 (0) 1487 84 28 19	International: +1 905 726 7676	Canada: 1 800 263 3275 International: +1 905 727 0165
<b>E-mail</b>	salesusa@sinctech.com	salesuk@sinctech.com	salesla@sinctech.com	salescan@sinctech.com