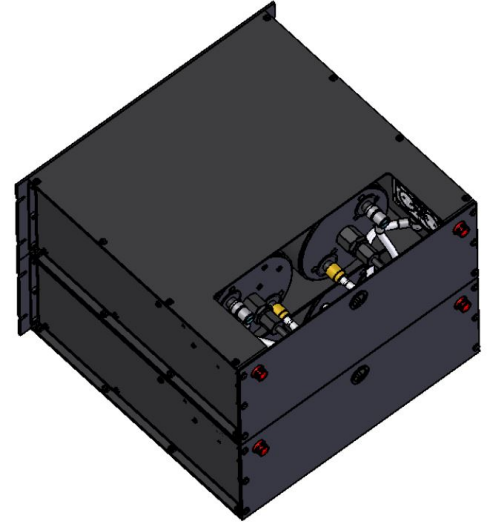


TJ4234 Cavity-Ferrite Transmitter Combiner, 4 channel, 7" Cavities, 806-960 MHz

- Allows for minimum Tx-Tx spacings of 250 KHz
- Expandable for more channels
- High Q bandpass cavity filters with dual low-loss isolators
- Enclosed cabinet

Sinclair's 'TJ' series cavity ferrite transmitter combiners are available in 2- to 6-channel configurations for use in systems from 132-960 MHz. Each channel on these combiners includes a low-loss single or dual-stage isolator and Sinclair-developed High 'Q' bandpass cavity filter. The 806-960 MHz 'TJ' series utilizes very high 'Q' three-quarter wavelength cavities, and is especially suitable for close channel separations, typically 250 kHz. All models are 19-inch rack mountable. The 'TJ' series combiner is easily expanded to 20 channels, and is the building block used in many Sinclair combining systems. Common electrical specifications are shown below. To select the combiner ideally suited to your application, please consult your Sinclair representative. Sinclair has developed an extensive range of cellular combiners, designed to meet the operational requirements of both large and small cellular systems.



www.sinctech.com

Region	United States	Europe, Middle East and Africa	Caribbean and Latin America	Canada and rest of the world
Telephone	USA: 1 800 263 3275	International: +44 (0) 1487 84 28 19	International: +1 905 726 7676	Canada: 1 800 263 3275 International: +1 905 727 0165
E-mail	salesusa@sinctech.com	salesuk@sinctech.com	salesla@sinctech.com	salescan@sinctech.com

Electrical Specifications

Frequency Range	MHz	806 to 960
Input VSWR (max)		1.25:1
Input Connectors		N-Female
Output Connectors		N-Female
Power (Per Channel)	W	125
Frequency separation (min)	MHz	0.25
Insertion Loss (max) Tx to Ant	dB	3.9
Isolation Tx to Tx	dB	70
Isolation antenna to Tx	dB	60
Output VSWR		2:1
Number of channels		4

Mechanical Specifications

Width	in (mm)	19 (483)
Depth	in (mm)	18.5 (470)
Length/ Height	in (mm)	14 (356)
Weight	lbs (kg)	32 (14.53)
Actual Shipping weight	lbs (kg)	70 (31.78)
Shipping dimensions	in (mm)	23x23x18 (584x584x457) *1

Environmental Specifications

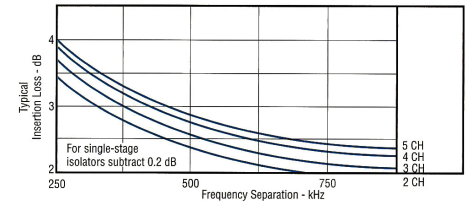
Temperature range	°F (°C)	-22 to +140 (-30 to +60)
-------------------	---------	--------------------------

Notes

*1 : 2 pieces:2nd is 23x23x12"

Ordering Information

Specify one Tx frequency per channel at time of order.



Region	United States	Europe, Middle East and Africa	Caribbean and Latin America	Canada and rest of the world
Telephone	USA: 1 800 263 3275	International: +44 (0) 1487 84 28 19	International: +1 905 726 7676	Canada: 1 800 263 3275 International: +1 905 727 0165
E-mail	salesusa@sinctech.com	salesuk@sinctech.com	salesla@sinctech.com	salescan@sinctech.com