

TJ4133-R-2 Cavity-Ferrite Transmitter Combiner, 3 channel, 7" Cavities, 806-960 MHz

- Allows for minimum Tx-Tx spacings of 250 KHz
- Expandable for more channels
- Uses high 'Q' 3/4 wave bandpass cavity filters with low loss broad band single stage isolators
- Panel mount

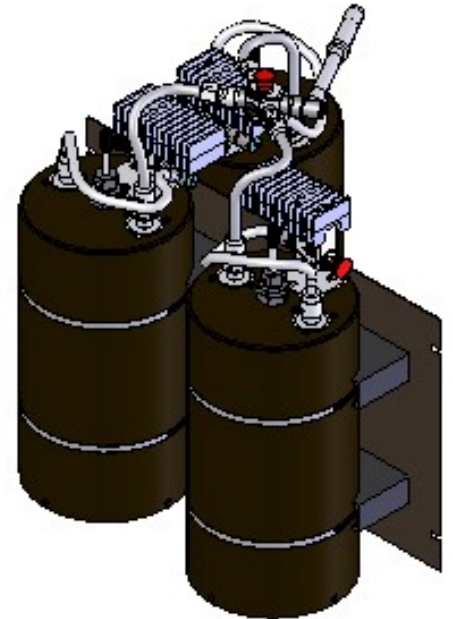
Sinclair's 'TJ4x3y-R-2 series cavity ferrite transmitter combiners are available in 2 to 5 channel configurations for use in systems from 806-960 MHz. Each channel on these combiners includes a low-loss, broad band single or dual-stage isolator and High 'Q' 3/4 wave bandpass cavity filter suitable for close channel separations, typically 250 KHz.

The 'TJ4x3y-R-2' series combiners can be expanded to 20 channels. For expansion please contact the Sinclair Systems group.

The naming convention and options for the TJ4x3y-R-2 are as follows:

Isolator type
 x=1 Single stage
 x=2 Dual stage

y= number of channels



Region	United States	Europe, Middle East and Africa	Caribbean and Latin America	Canada and rest of the world
Telephone	USA: 1 800 263 3275	International: +44 (0) 1487 84 28 19	International: +1 905 726 7676	Canada: 1 800 263 3275 International: +1 905 727 0165
E-mail	salesusa@sinctech.com	salesuk@sinctech.com	salesla@sinctech.com	salescan@sinctech.com

Electrical Specifications

Frequency Range	MHz	806 to 960
Input VSWR (max)		1.25:1
Maximum Input Power (per channel)	W	125
Input Connectors		N-Female
Output Connectors		N-Female
Frequency separation (min)	MHz	0.25
Insertion Loss (max) Tx to Ant	dB	3.4
Isolation Tx to Tx	dB	35
Isolation antenna to Tx	dB	25
Output VSWR		2:1
Number of channels		3

Mechanical Specifications

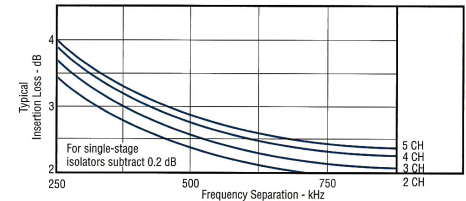
Width	in (mm)	19 (483)
Depth	in (mm)	14.7 (373)
Length/ Height	in (mm)	16.1 (409)
Finish		chromate conversion
Weight	lbs (kg)	22 (9.99)
Actual Shipping weight	lbs (kg)	45 (20.43)
Shipping dimensions	in (mm)	20x16x21 (508x406x533)

Environmental Specifications

Temperature range	°F (°C)	-22 to +140 (-30 to +60)
-------------------	---------	--------------------------

Ordering Information

Specify one Tx frequency per channel at time of order.



Region	United States	Europe, Middle East and Africa	Caribbean and Latin America	Canada and rest of the world
Telephone	USA: 1 800 263 3275	International: +44 (0) 1487 84 28 19	International: +1 905 726 7676	Canada: 1 800 263 3275 International: +1 905 727 0165
E-mail	salesusa@sinctech.com	salesuk@sinctech.com	salesla@sinctech.com	salescan@sinctech.com