

### TJ3216-R-4 Cavity-Ferrite Transmitter Combiner, 6 Channels, 7" Cavities, 430-470 MHz

- Low loss broad band dual stage isolators
- Allows for minimum Tx-Tx spacings of 200 KHz
- Expandable for more channels
- Uses high 'Q' 1/4 wave bandpass cavity filters

Sinclair's 'TJ3x1y-R-z' series cavity ferrite transmitter combiners are available in 2 to 12 channel configurations for use in systems from 406-512 MHz. Each channel on these combiners includes a low-loss, broad band single or dual-stage isolator and High 'Q' 1/4 wave bandpass cavity filter suitable for close channel separations, typically 200 KHz.

The 'TJ3x1y-R-z' series combiners can be expanded to 20 channels. For expansion please contact the Sinclair Systems group.

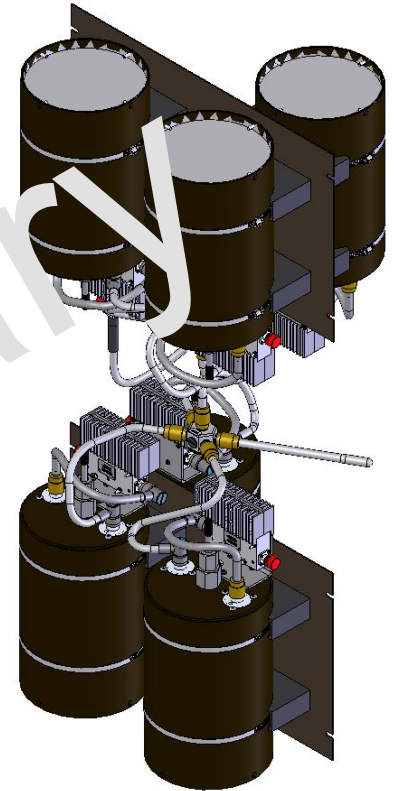
The naming convention and options for the TJ3-R are as follows:

TJ3x1y-R-z

Isolator type  
 x=1 Single stage  
 x=2 Dual stage

y= number of channels

Sub-band  
 z=3 406-440 MHz  
 z=4 430-470 MHz  
 z=5 459-512 MHz



Region	United States	Europe, Middle East and Africa	Caribbean and Latin America	Canada and rest of the world
<b>Telephone</b>	USA: 1 800 263 3275	International: +44 (0) 1487 84 28 19	International: +1 905 726 7676	Canada: 1 800 263 3275 International: +1 905 727 0165
<b>E-mail</b>	salesusa@sinctech.com	salesuk@sinctech.com	salesla@sinctech.com	salescan@sinctech.com

### Electrical Specifications

Frequency Range	MHz	430 to 470
Number of channels		6
Input Connectors		N-Female
Output Connectors		N-Female
Input VSWR (max)		1.25:1
Output VSWR		2:1
Maximum Input Power (per channel)	W	125
Frequency separation (min)	MHz	0.2
Isolation Tx to Tx	dB	60
Isolation antenna to Tx	dB	50
Cavity electrical length		1/4

### Mechanical Specifications

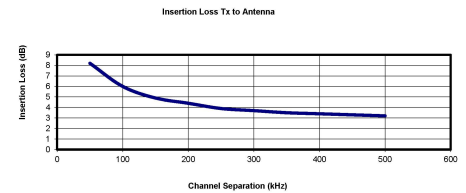
Width	in (mm)	19 (483)
Depth	in (mm)	14.8 (376)
Length/ Height	in (mm)	35 (889)
Shipping dimensions	in (mm)	21x9.5x34 (533x241x864)

### Ordering Information

Specify one Tx frequency per channel at time of order.

### Environmental Specifications

Temperature range	°F (°C)	-22 to +140 (-30 to +60)
-------------------	---------	--------------------------



Region	United States	Europe, Middle East and Africa	Caribbean and Latin America	Canada and rest of the world
<b>Telephone</b>	USA: 1 800 263 3275	International: +44 (0) 1487 84 28 19	International: +1 905 726 7676	Canada: 1 800 263 3275 International: +1 905 727 0165
<b>E-mail</b>	salesusa@sinctech.com	salesuk@sinctech.com	salesla@sinctech.com	salescan@sinctech.com