

TJ3213-R-4 Cavity-Ferrite Transmitter Combiner, 3 Channels, 7" Cavities, 430-470 MHz

- Low loss broad band dual stage isolators
- Allows for minimum Tx-Tx spacings of 200 KHz
- Expandable for more channels
- Uses high 'Q' 1/4 wave bandpass cavity filters

Sinclair's 'TJ3x1y-R-z' series cavity ferrite transmitter combiners are available in 2 to 5 channel configurations for use in systems from 406-512 MHz. Each channel on these combiners includes a low-loss, broad band single or dual-stage isolator and High 'Q' 1/4 wave bandpass cavity filter suitable for close channel separations, typically 200 KHz.

The 'TJ3x1y-R-z' series combiners can be expanded to 20 channels. For expansion please contact the Sinclair Systems group.

The naming convention and options for the TJ3-R are as follows:

TJ3x1y-R-z

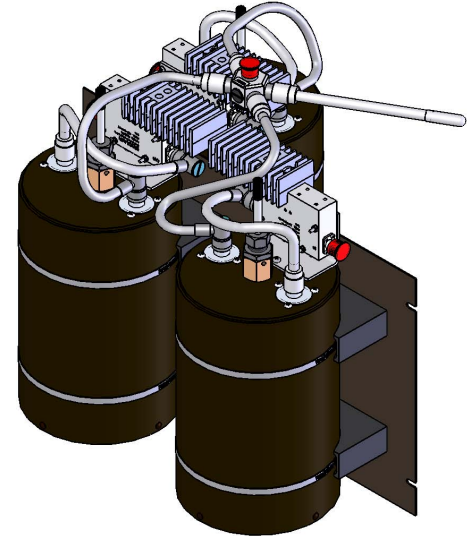
Isolator type

x=1 Single stage
x=2 Dual stage

y= number of channels

Sub-band

z=3 406-440 MHz
z=4 430-470 MHz
z=5 459-512 MHz



Region	United States	Europe, Middle East and Africa	Caribbean and Latin America	Canada and rest of the world
Telephone	USA: 1 800 263 3275	International: +44 (0) 1487 84 28 19	International: +1 905 726 7676	Canada: 1 800 263 3275 International: +1 905 727 0165
E-mail	salesusa@sinctech.com	salesuk@sinctech.com	salesla@sinctech.com	salescan@sinctech.com

Electrical Specifications

Frequency Range	MHz	430 to 470	
Number of channels		3	
Input Connectors		N-Female	
Output Connectors		N-Female	
Input VSWR (max)		1.25:1	
Output VSWR		2:1	
Insertion Loss (typ) Tx to Ant	dB	3.5	*1
Maximum Input Power (per channel)	W	125	
Frequency separation (min)	MHz	0.2	
Isolation Tx to Tx	dB	60	
Isolation antenna to Tx	dB	50	
Cavity electrical length		1/4	

Notes

*1 : @ 250 kHz Tx-Tx spacing

Mechanical Specifications

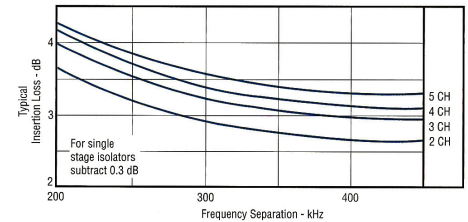
Width	in (mm)	19 (483)
Depth	in (mm)	14.8 (376)
Length/ Height	in (mm)	15.3 (389)
Weight	lbs (kg)	30 (13.62)
Actual shipping weight	lbs (kg)	40 (18.16)
Shipping dimensions	in (mm)	20x16x21 (508x406x533)

Environmental Specifications

Temperature range	°F (°C)	-22 to +140 (-30 to +60)
-------------------	---------	--------------------------

Ordering Information

Specify one Tx frequency per channel at time of order.



Region	United States	Europe, Middle East and Africa	Caribbean and Latin America	Canada and rest of the world
Telephone	USA: 1 800 263 3275	International: +44 (0) 1487 84 28 19	International: +1 905 726 7676	Canada: 1 800 263 3275 International: +1 905 727 0165
E-mail	salesusa@sinclaire.com	salesuk@sinclaire.com	salesla@sinclaire.com	salescan@sinclaire.com