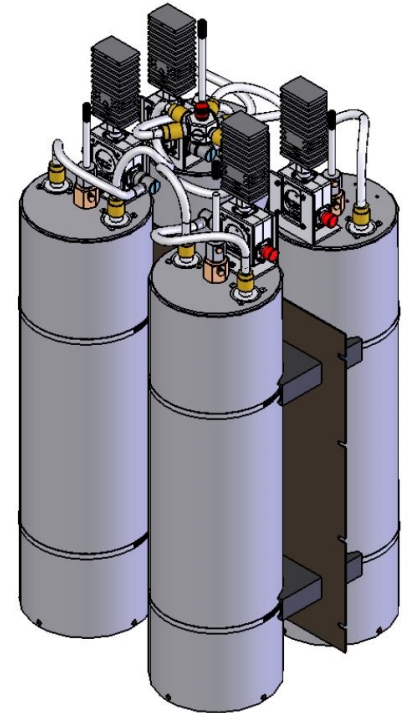


**TJ2114-2** Combiner, 4 channel, 7" cavity-ferrite, single stage isolator, 132-150 MHz

- Four channel cavity-ferrite combiner in compact configuration
- Single low-loss isolator
- High Q bandpass cavity filters

Sinclair's 'TJ2' series cavity ferrite transmitter combiners are available in 2 or more channel configurations for use in systems from 132-174 MHz. Each channel on these combiners includes a low-loss single or dual-stage isolator and Sinclair-developed High 'Q' bandpass cavity filter. The 'TJ2' series utilizes very high 'Q' quarter wavelength cavities, and is especially suitable for close channel separations, typically 150 kHz.

All models are 19-inch rack mountable and can be retuned in the field with simple test equipment. High power, special filtering and special mounting versions are also available. The 'TJ2' series combiner is easily expanded to 20 channels, and is the building block used in many Sinclair combining systems.



Region	United States	Europe, Middle East and Africa	Caribbean and Latin America	Canada and rest of the world
<b>Telephone</b>	USA: 1 800 263 3275	International: +44 (0) 1487 84 28 19	International: +1 905 726 7676	Canada: 1 800 263 3275 International: +1 905 727 0165
<b>E-mail</b>	salesusa@sinctech.com	salesuk@sinctech.com	salesla@sinctech.com	salescan@sinctech.com

### Electrical Specifications

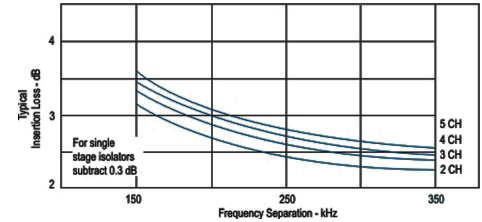
Frequency Range	MHz	132 to 150
Input VSWR (max)		1.25:1
Input Connectors		N-Female
Output Connectors		N-Female
Power (Per Channel)	W	125
Frequency separation (min)	MHz	0.15
Insertion Loss (max) Tx to Ant	dB	3.2
Isolation Tx to Tx	dB	35
Isolation antenna to Tx	dB	25
Output VSWR		2:1
Number of channels		4

### Mechanical Specifications

Width	in (mm)	19 (483)
Depth	in (mm)	15 (381)
Length/ Height	in (mm)	34.3 (871)
Finish		chemical conversion
Weight	lbs (kg)	27 (12.26)
Actual shipping weight	lbs (kg)	50 (22.7)
Shipping dimensions	in (mm)	22x19x38 (559x483x965)

### Environmental Specifications

Temperature range	°F (°C)	-22 to +140 (-30 to +60)
-------------------	---------	--------------------------



Region	United States	Europe, Middle East and Africa	Caribbean and Latin America	Canada and rest of the world
<b>Telephone</b>	USA: 1 800 263 3275	International: +44 (0) 1487 84 28 19	International: +1 905 726 7676	Canada: 1 800 263 3275 International: +1 905 727 0165
<b>E-mail</b>	salesusa@sinctech.com	salesuk@sinctech.com	salesla@sinctech.com	salescan@sinctech.com