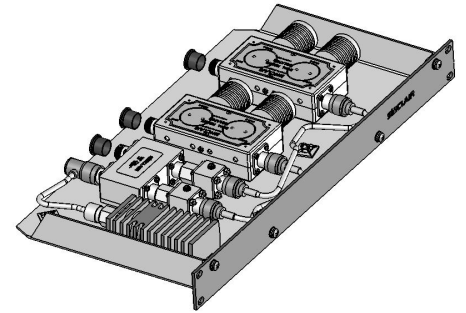


TCC4232-1 Compact hybrid ferrite 2 channel Tx combiner, 746-869 MHz

- Connect 2 60W transmitters to one antenna
- Dual stage isolators
- 1U high compact housing

Sinclair's new TCC series of hybrid ferrite transmitter combiners allow up to four 60 Watt transmitters to be combined onto one antenna. With single stage isolators, the units provide 45 dB of Tx to Tx isolation. With dual stage isolators, the Tx to Tx isolation is 70 dB. The minimum frequency separation is 0 MHz. The frequencies can be changed without having to retune the combiner.



www.sinctech.com

Region	United States	Europe, Middle East and Africa	Caribbean and Latin America	Canada and rest of the world
Telephone	USA: 1 800 263 3275	International: +44 (0) 1487 84 28 19	International: +1 905 726 7676	Canada: 1 800 263 3275 International: +1 905 727 0165
E-mail	salesusa@sinctech.com	salesuk@sinctech.com	salesla@sinctech.com	salescan@sinctech.com

Electrical Specifications

Frequency Range	MHz	746 to 869
Input VSWR (max)		1.3:1
Insertion loss (typ) Tx to Ant	dB	4.5
Input Connectors		N-Female
Output Connectors		N-Female
Power (Per Channel)	W	60
Frequency separation (max)	MHz	123
Frequency separation (min)	MHz	0
Isolation Tx to Tx	dB	70
Isolation antenna to Tx	dB	53
Output VSWR		1.5:1
Number of channels		2

Mechanical Specifications

Depth	in (mm)	10 (254)
Length/ Height	in (mm)	1.75 (44)
Width	in (mm)	19 (483)
Weight	lbs (kg)	10 (4.54)

Environmental Specifications

Temperature range	°F (°C)	-22 to +140 (-30 to +60)
-------------------	---------	--------------------------

Region	United States	Europe, Middle East and Africa	Caribbean and Latin America	Canada and rest of the world
Telephone	USA: 1 800 263 3275	International: +44 (0) 1487 84 28 19	International: +1 905 726 7676	Canada: 1 800 263 3275 International: +1 905 727 0165
E-mail	salesusa@sinctech.com	salesuk@sinctech.com	salesla@sinctech.com	salescan@sinctech.com