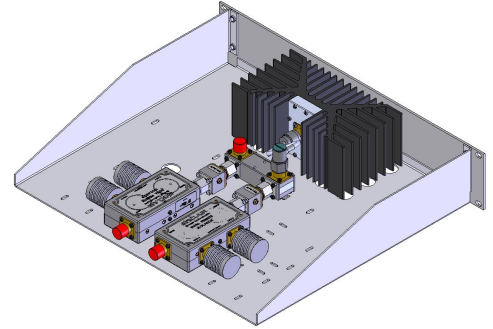


TC4212 Combiner, hybrid-ferrite, single stage isolator, 2 channels, 806-960 MHz

- Supports extremely close frequency spacings (0-10 MHz separation)
- Connects two 125W transmitters to one antenna
- Dual stage isolators

These transmitter combiners can be used in those systems requiring extremely close frequency separations. They utilize Sinclair manufactured isolators, hybrids, and terminations in a compact mechanical configuration allowing a 2-channel transmitter combiner to be mounted in only 3.5 inches of rack space.

Two-channel models may be expanded to four channels by ordering a second 2-channel unit, a hybrid coupler panel and an interconnecting cable assembly.



www.sinctech.com

Region	United States	Europe, Middle East and Africa	Caribbean and Latin America	Canada and rest of the world
Telephone	USA: 1 800 263 3275	International: +44 (0) 1487 84 28 19	International: +1 905 726 7676	Canada: 1 800 263 3275 International: +1 905 727 0165
E-mail	salesusa@sinctech.com	salesuk@sinctech.com	salesla@sinctech.com	salescan@sinctech.com

Electrical Specifications

Frequency Range	MHz	806 to 960
Number of channels		2
Input Connectors		N-Female
Output Connectors		N-Female
Input VSWR (max)		1.25:1
Insertion loss (typ) Tx to Ant	dB	4.2
Maximum Input Power (per channel)	W	125
Frequency separation (max)	MHz	10
Frequency separation (min)	MHz	0
Isolation Tx to Tx	dB	80
Isolation antenna to Tx	dB	53

Mechanical Specifications

Width	in (mm)	19 (483)
Depth	in (mm)	15.63 (397)
Length/ Height	in (mm)	3.5 (89)
Weight	lbs (kg)	11.6 (5.27)
Shipping dimensions	in (mm)	19x26x7 (483x660x178)

Ordering Information

Specify the two Tx channel frequencies when ordering.

Environmental Specifications

Temperature range	°F (°C)	-22 to +140 (-30 to +60)
-------------------	---------	--------------------------

Region	United States	Europe, Middle East and Africa	Caribbean and Latin America	Canada and rest of the world
Telephone	USA: 1 800 263 3275	International: +44 (0) 1487 84 28 19	International: +1 905 726 7676	Canada: 1 800 263 3275 International: +1 905 727 0165
E-mail	salesusa@sincltech.com	salesuk@sincltech.com	salesla@sincltech.com	salescan@sincltech.com