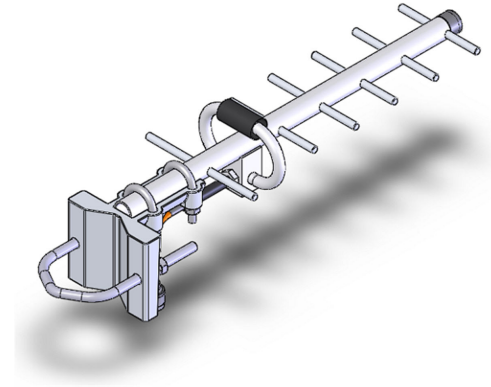


SY507-SF1SNM(ABK) Yagi, directional, 10 dBd, black anodized, 1350-1390 MHz

- 10 dBd gain over the 1350-1390 MHz frequency range
- Black anodized aluminum for corrosion resistance and de-icing

The SY507 series yagi antenna has been developed to meet the need for a high gain, top quality directional antenna in the 1350-1390 MHz frequency range, providing 10 dBd of gain with a VSWR of 1.5:1. Designed for high performance, versatility and easy of installation, the SY507 will fill a variety of requirements.



www.sinctech.com

Region	United States	Europe, Middle East and Africa	Caribbean and Latin America	Canada and rest of the world
Telephone	USA: 1 800 263 3275	International: +44 (0) 1487 84 28 19	International: +1 905 726 7676	Canada: 1 800 263 3275 International: +1 905 727 0165
E-mail	salesusa@sinctech.com	salesuk@sinctech.com	salesla@sinctech.com	salescan@sinctech.com

Electrical Specifications

Frequency Range	MHz	1350 to 1390
Bandwidth	MHz	40
Connector		N-Male
Gain (nominal)	dBd (dBi)	10 (12.1)
VSWR (max)		1.5:1
Polarization		vertical or horizontal
Impedance	Ω	50
Pattern		Directional
Horizontal beamwidth (typ)	degrees	51
Vertical beamwidth (typ)	degrees	44
Average Input Power (max)	W	300
Lightning protection		DC ground
Front-to-back ratio (typ)	dB	20

Notes

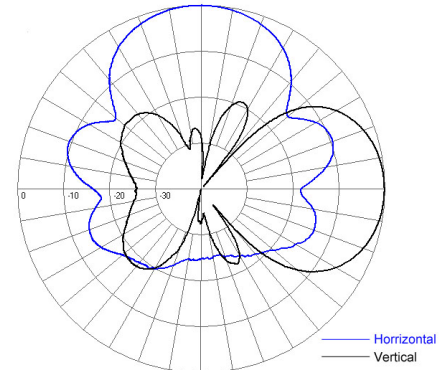
*1 : 0.5" ice

Mechanical Specifications

Width	in (mm)	4.74 (120)
Depth	in (mm)	2.75 (70)
Length/ Height	in (mm)	14.5 (368)
Radiating element material		aluminum
Reflector material		aluminum
Finish		anodize (black)
Weight	lbs (kg)	0.75 (0.34)
Weight iced (1/2" ice)	lbs (kg)	3.12 (1.42) *1
Mounting Hardware (Included)		Clamp115
Actual shipping weight	lbs (kg)	2.2 (1)
Shipping dimensions	in (mm)	18x8x4 (457x203x102)

Environmental Specifications

Temperature range	°F (°C)	-40 to +140 (-40 to +60)
Wind Loading Area (Flat Plate Equivalent)	ft² (m²)	0.11 (0.01)
Wind Loading Area (1/2" ice)	ft² (m²)	0.33 (0.03)
Rated wind velocity (no ice)	mph (km/h)	290 (467)
Rated wind velocity (1/2" radial ice)	mph (km/h)	185 (298)
Lateral Thrust (100 mph No Ice)	lbs (N)	4.3 (19.1)
Bending moment (100 mph No Ice)	ft-lbs (Nm)	1.6 (2.2)



Region	United States	Europe, Middle East and Africa	Caribbean and Latin America	Canada and rest of the world
Telephone	USA: 1 800 263 3275	International: +44 (0) 1487 84 28 19	International: +1 905 726 7676	Canada: 1 800 263 3275 International: +1 905 727 0165
E-mail	salesusa@sinctech.com	salesuk@sinctech.com	salesla@sinctech.com	salescan@sinctech.com