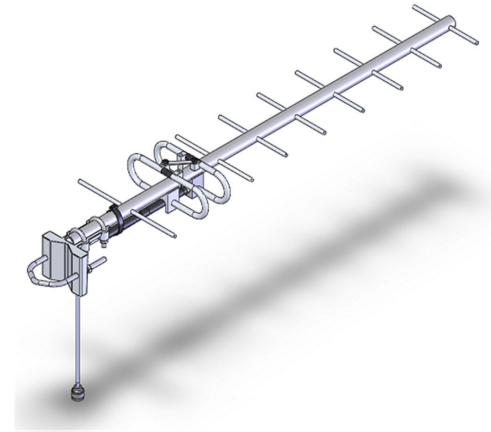


SY459-SF1SNM(ABK) Broadband Yagi, 10 dBd, black anodized, N-male Conn., 698-806 MHz

- High gain, wide band antenna in the 698-806 MHz range
- Black anodized aluminum for corrosion resistance and de-icing

The new SY459 series is a yagi antenna designed for applications where high gain, broadband, top quality directional antennas are required. The design of these antennas provides for coverage between 698-960 MHz in 2 sub bands, F1 model covers 698-806 MHz band, F2 model covers 746-960 MHz band. All elements are at DC ground potential for lightning protection.

Also available with a N-female connector as SY459-SF1SNF(ABK).



Antenna may not appear exactly as picture.

www.sinctech.com

Region	United States	Europe, Middle East and Africa	Caribbean and Latin America	Canada and rest of the world
Telephone	USA: 1 800 263 3275	International: +44 (0) 1487 84 28 19	International: +1 905 726 7676	Canada: 1 800 263 3275 International: +1 905 727 0165
E-mail	salesusa@sinctech.com	salesuk@sinctech.com	salesla@sinctech.com	salescan@sinctech.com

Electrical Specifications

Frequency Range	MHz	698 to 806	
Bandwidth	MHz	108	
Connector		N-Male	*1
Gain (nominal)	dBd (dBi)	10 (12.1)	
VSWR (max)		1.5:1	
Polarization		vertical or horizontal	
Impedance	Ω	50	
Pattern		Directional	
Horizontal beamwidth (typ)	degrees	53	
Vertical beamwidth (typ)	degrees	47	
Average Power Input (max)	W	125	
Lightning protection		DC ground	
Front-to-back ratio (typ)	dB	18	

Notes

*1 : N-female also avail.

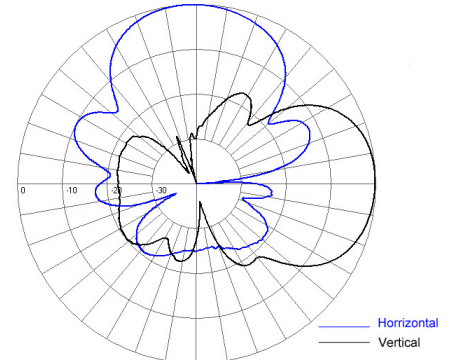
*2 : Qty 1

Mechanical Specifications

Width	in (mm)	9.15 (232)	
Depth	in (mm)	3.15 (80)	
Length/ Height	in (mm)	34 (864)	
Base pipe diameter	in (mm)	0.84 (21)	
Radiating element material		aluminum	
Finish		anodize (black)	
Weight	lbs (kg)	2.2 (1)	
Weight iced (1/2" ice)	lbs (kg)	7.7 (3.5)	
Mounting Hardware (Included)		Clamp115	*2
Actual shipping weight	lbs (kg)	3.2 (1.45)	
Shipping dimensions	in (mm)	36x10x4 (914x254x102)	

Environmental Specifications

Temperature range	°F (°C)	-40 to +140 (-40 to +60)
Wind Loading Area (Flat Plate Equivalent)	ft² (m²)	0.26 (0.02)
Wind Loading Area (1/2" ice)	ft² (m²)	0.81 (0.08)
Rated wind velocity (no ice)	mph (km/h)	195 (314)
Rated wind velocity (1/2" radial ice)	mph (km/h)	125 (201)
Lateral Thrust (100 mph No Ice)	lbs (N)	9.9 (44)
Bending moment (100 mph No Ice)	ft-lbs (Nm)	10.3 (13.9)
Tip deflection (100 mph No Ice)	degrees	0.4



Region	United States	Europe, Middle East and Africa	Caribbean and Latin America	Canada and rest of the world
Telephone	USA: 1 800 263 3275	International: +44 (0) 1487 84 28 19	International: +1 905 726 7676	Canada: 1 800 263 3275 International: +1 905 727 0165
E-mail	salesusa@sinctech.com	salesuk@sinctech.com	salesla@sinctech.com	salescan@sinctech.com