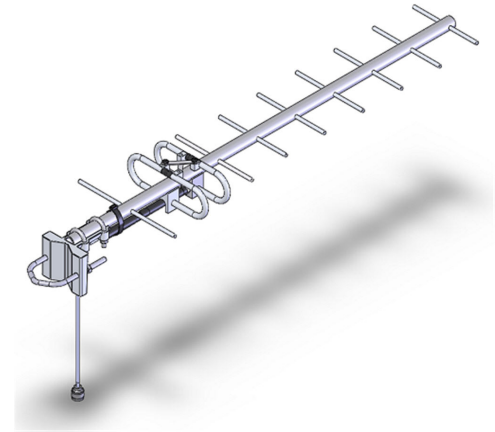


SY459-SF1SNF(ABK) Broadband Yagi, 10 dBd, black anodized, N-female Conn., 698-806 MHz

- High gain, wide band antenna in the 698-806 MHz range
- Black anodized aluminum for corrosion resistance and de-icing

The new SY459 series is a yagi antenna designed for applications where high gain, broadband, top quality directional antennas are required. The design of these antennas provides for coverage between 698-960 MHz in 2 sub bands, F1 model covers 698-806 MHz band, F2 model covers 746-960 MHz band. All elements are at DC ground potential for lightning protection.



Antenna may not appear exactly as picture.

www.sinctech.com

Region	United States	Europe, Middle East and Africa	Caribbean and Latin America	Canada and rest of the world
Telephone	USA: 1 800 263 3275	International: +44 (0) 1487 84 28 19	International: +1 905 726 7676	Canada: 1 800 263 3275 International: +1 905 727 0165
E-mail	salesusa@sinctech.com	salesuk@sinctech.com	salesla@sinctech.com	salescan@sinctech.com
Product Specification Sheet EPR 018705 Customer Tech Manual 006337		SY459-SF1SNF(ABK)	Issue: 1	Dated: 04-08-17 Dated: 20-03-17

Electrical Specifications

Frequency Range	MHz	698 to 806
Bandwidth	MHz	108
Connector		N-Female *1
Gain (nominal)	dBd (dBi)	10 (12.1)
VSWR (max)		1.5:1
Polarization		vertical or horizontal
Impedance	Ω	50
Pattern		Directional
Horizontal beamwidth (typ)	degrees	53
Vertical beamwidth (typ)	degrees	47
Average Power Input (max)	W	125
Lightning protection		DC ground
Front-to-back ratio (typ)	dB	18

Notes

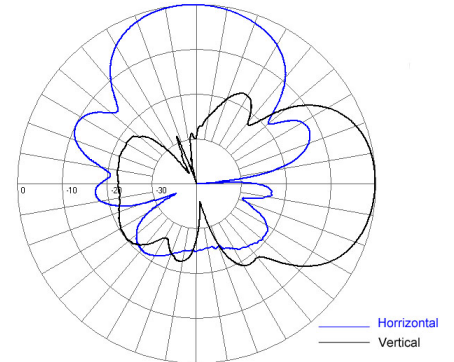
- *1 : N-male also avail.
- *2 : Qty 1

Mechanical Specifications

Width	in (mm)	9.15 (232)
Depth	in (mm)	3.15 (80)
Length/ Height	in (mm)	34 (864)
Base pipe diameter	in (mm)	0.84 (21)
Radiating element material		aluminum
Finish		anodize (black)
Weight	lbs (kg)	2.2 (1)
Weight iced (1/2" ice)	lbs (kg)	7.7 (3.5)
Mounting Hardware (Included)		Clamp115 *2
Actual shipping weight	lbs (kg)	3.2 (1.45)
Shipping dimensions	in (mm)	36x10x4 (914x254x102)

Environmental Specifications

Temperature range	°F (°C)	-40 to +140 (-40 to +60)
Wind Loading Area (Flat Plate Equivalent)	ft² (m²)	0.26 (0.02)
Wind Loading Area (1/2" ice)	ft² (m²)	0.81 (0.08)
Rated wind velocity (no ice)	mph (km/h)	195 (314)
Rated wind velocity (1/2" radial ice)	mph (km/h)	125 (201)
Lateral Thrust (100 mph No Ice)	lbs (N)	9.9 (44)
Bending moment (100 mph No Ice)	ft-lbs (Nm)	10.3 (13.9)
Tip deflection (100 mph No Ice)	degrees	0.4



Region	United States	Europe, Middle East and Africa	Caribbean and Latin America	Canada and rest of the world
Telephone	USA: 1 800 263 3275	International: +44 (0) 1487 84 28 19	International: +1 905 726 7676	Canada: 1 800 263 3275 International: +1 905 727 0165
E-mail	salesusa@sinctech.com	salesuk@sinctech.com	salesla@sinctech.com	salescan@sinctech.com