

## SY303-STBSNF(ABK)

Yagi directional, 6 dBd, black anodized, wide band, 380-430 MHz

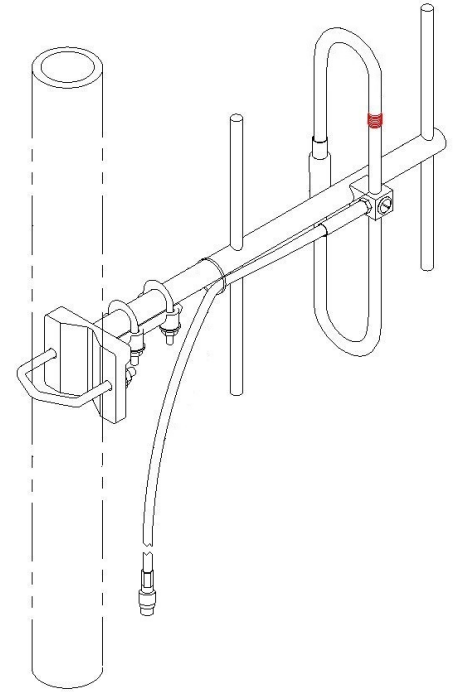
Also referred as: SY303-SWB2SNF(ABK)

- Rugged wide band 3-element yagi with 6 dBd gain
- Adapted for medium-gain applications
- Suitable for vertical or horizontal polarization
- Anodized for extended life and superior performance in harsh environments

The SY303 series of antennas consist of a 3-element yagi of outstanding durability and performance. All elements including the folded dipole are maintained at DC Ground potential for lightning protection. Reflector and director elements are welded with 360 degree welds to the boom.

Offering 6 dBd of gain, this antennas covers the frequency range of 380-430 MHz.

As with other yagis, this UHF antenna can be mounted either horizontally or vertically.



Support pipe not supplied. Antenna may not appear exactly as picture.

www.sinclaire.com

Region	United States	Europe, Middle East, and Africa	Canada, Caribbean, and Latin America	Asia-Pacific
Telephone	1 800 263 3275	+44 (0) 1487 84 28 19	Canada: 1 800 263 3275 International: +1 905 726 7676	+1 905 727 0165
E-mail	salesusa@sinclaire.com	salesuk@sinclaire.com	salescan@sinclaire.com	salesasia@sinclaire.com
Product Specification Sheet		SY303-STBSNF(ABK)	Issue: 2	Dated: 21-05-20
EPR 018936				Dated: 21-05-20
Customer Tech Manual 005676				

### Electrical Specifications

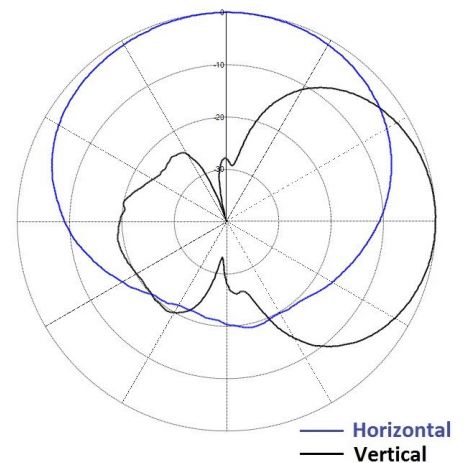
Frequency Range	MHz	380 to 430
Bandwidth	MHz	50
Connector		N-Female
Gain (nominal)	dBd (dBi)	6 (8.1)
Input VSWR (max)		1.5:1
Polarization		vertical or horizontal
Impedance	Ω	50
Pattern		Directional
Horizontal beamwidth (Vert. Pol.)	degrees	103
Vertical beamwidth (Vert. Pol.)	degrees	65
Average Input Power (max)	W	250
Front-to-back ratio (Typ)	dB	14
Lightning protection		DC ground

### Mechanical Specifications

Width	in (mm)	13.72 (348)
Depth	in (mm)	5.1 (130)
Length/ Height	in (mm)	15.88 (403)
Base pipe diameter	in (mm)	0.84 (21)
Boom Diameter	in (mm)	0.84 (21)
Radiating element material		aluminum
Reflector material		aluminum
Finish		anodize (black)
Weight	lbs (kg)	1.27 (0.58)
Mounting Hardware (Included)		Clamp115
Actual shipping weight	lbs (kg)	4.5 (2.04)
Shipping dimensions	in (mm)	20x17x5 (508x432x127)

### Environmental Specifications

Temperature range	°F (°C)	-40 to +140 (-40 to +60)
Wind Loading Area (Flat Plate Equivalent)	ft² (m²)	0.16 (0.01)
Wind Loading Area (1/2" ice)	ft² (m²)	0.42 (0.04)
Rated wind velocity (no ice)	mph (km/h)	215 (346)
Rated wind velocity (1/2" radial ice)	mph (km/h)	145 (233)
Lateral Thrust (100 mph No Ice)	lbs (N)	7.9 (35.3)
Bending moment (100 mph No Ice)	ft-lbs (Nm)	4.86 (6.6)



Region	United States	Europe, Middle East, and Africa	Canada, Caribbean, and Latin America	Asia-Pacific
Telephone	1 800 263 3275	+44 (0) 1487 84 28 19	Canada: 1 800 263 3275 International: +1 905 726 7676	+1 905 727 0165
E-mail	salesusa@sinctech.com	salesuk@sinctech.com	salescan@sinctech.com	salesasia@sinctech.com