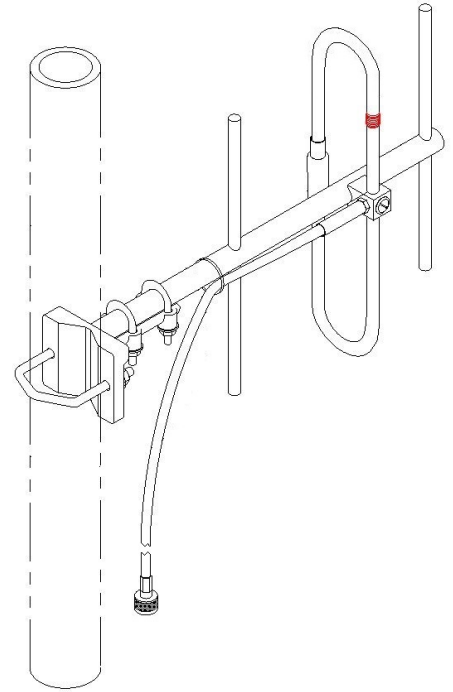


SY303-ST1LDF(ABK) Yagi directional, 6 dBd, black anodized, low PIM, 380-400 MHz

- Rugged low PIM, 3-element yagi
- Adapted for medium-gain applications
- Suitable for vertical or horizontal polarization

The SY303-ST1LDF antenna consist of a 3-element yagi of outstanding durability and performance. All elements including the folded dipole are maintained at DC Ground potential for lightning protection. All elements on this antenna are welded to the boom. This antenna is also PIM rated at -150 dBc.

As with other yagis, this UHF antenna can be mounted either horizontally or vertically.



Support pipe not supplied. Antenna may not appear exactly as picture.

www.sinctech.com

Region	United States	Europe, Middle East, and Africa	Canada, Caribbean, and Latin America	Asia-Pacific
Telephone	1 800 263 3275	+44 (0) 1487 84 28 19	Canada: 1 800 263 3275 International: +1 905 726 7676	+1 905 727 0165
E-mail	salesusa@sinctech.com	salesuk@sinctech.com	salescan@sinctech.com	salesasia@sinctech.com

Electrical Specifications

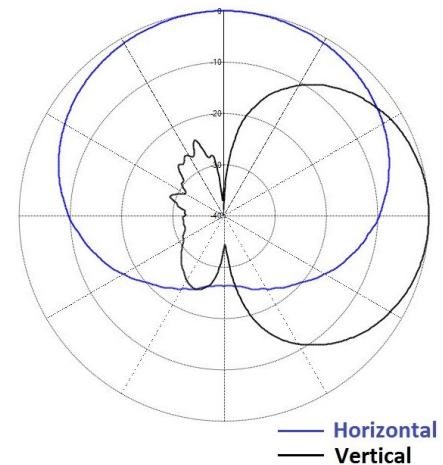
Frequency Range	MHz	380 to 400
Bandwidth	MHz	20
Connector		7/16 DIN-Female
Gain (nominal)	dBd (dBi)	6 (8.1)
Input VSWR (max)		1.5:1
Polarization		vertical or horizontal
Impedance	Ω	50
Pattern		Directional
Horizontal beamwidth (typ)	degrees	103
Vertical beamwidth (typ)	degrees	65
Average Input Power (max)	W	250
Passive intermod. (2x20W, 3rd ord.)	dBc	-150
Front-to-back ratio (Typ)	dB	16
Lightning protection		DC ground

Mechanical Specifications

Width	in (mm)	13.72 (348)
Depth	in (mm)	5.1 (130)
Length/ Height	in (mm)	15.88 (403)
Boom Diameter	in (mm)	0.84 (21)
Radiating element material		aluminum
Reflector material		aluminum
Finish		anodize (black)
Weight	lbs (kg)	1.27 (0.58)
Mounting Hardware (Included)		Clamp115
Actual shipping weight	lbs (kg)	4.5 (2.04)
Shipping dimensions	in (mm)	20x17x5 (508x432x127)

Environmental Specifications

Temperature range	°F (°C)	-40 to +140 (-40 to +60)
Wind Loading Area (Flat Plate Equivalent)	ft² (m²)	0.16 (0.01)
Wind Loading Area (1/2" ice)	ft² (m²)	0.42 (0.04)
Rated wind velocity (no ice)	mph (km/h)	215 (346)
Rated wind velocity (1/2" radial ice)	mph (km/h)	145 (233)
Lateral Thrust (100 mph No Ice)	lbs (N)	7.9 (35.3)
Bending moment (100 mph No Ice)	ft-lbs (Nm)	4.86 (6.6)



Region	United States	Europe, Middle East, and Africa	Canada, Caribbean, and Latin America	Asia-Pacific
Telephone	1 800 263 3275	+44 (0) 1487 84 28 19	Canada: 1 800 263 3275 International: +1 905 726 7676	+1 905 727 0165
E-mail	salesusa@sinctech.com	salesuk@sinctech.com	salescan@sinctech.com	salesasia@sinctech.com