

SY303-SF2SNM(ABK) Yagi directional, 6 dBd, black anodized, 450-475 MHz

- Rugged 3-element medium gain yagi
- Adapted for medium-gain applications
- Black anodized for corrosion assistance and long life
- Suitable for vertical or horizontal polarization

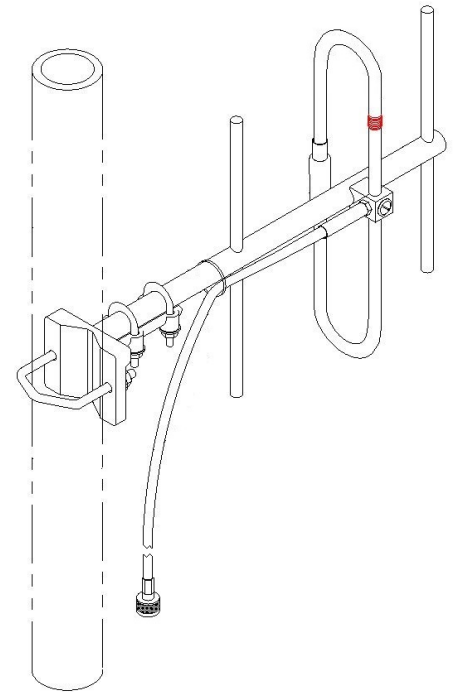
The SY303 series of antennas consist of a 3-element yagi of outstanding durability and performance. All elements including the folded dipole are maintained at DC Ground potential for lightning protection. Reflector and director elements are welded with 360-degree welds to the boom.

Offering 6 dBd of gain, these antennas can cover the frequency range of 380-490 with 4 sub-bands (F1 is 403-430 MHz, F2 is 450-475 MHz, F3 is 380-400 MHz, and F4 is 470-490 MHz).

As with other Yagis, this UHF antenna can be mounted either horizontally or vertically.

Also available with N-Female connector.

Model name	Connector
SY303-SF2SNM(ABK)	N-Male
SY303-SF2SNF(ABK)	N-Female



Support pipe not supplied.

Region	United States	Europe, Middle East, and Africa	Canada, Caribbean, and Latin America	Asia-Pacific
Telephone	1 800 263 3275	+44 (0) 1487 84 28 19	Canada: 1 800 263 3275 International: +1 905 726 7676	+1 905 727 0165
E-mail	salesusa@sinctech.com	salesuk@sinctech.com	salescan@sinctech.com	salesasia@sinctech.com



#### Electrical Specifications

Frequency Range	MHz	450 to 475	
Bandwidth	MHz	25	
Connector		N-Male	*1
Gain (nominal)	dBd (dBi)	6 (8.1)	
Input VSWR (max)		1.5:1	
Polarization		vertical or horizontal	
Impedance	Ω	50	
Pattern		Directional	
Horizontal beamwidth (typ)	degrees	103	
Vertical beamwidth (typ)	degrees	65	
Average Input Power (max)	W	250	
Front-to-back ratio (Typ)	dB	16	
Lightning protection		DC ground	

#### Notes

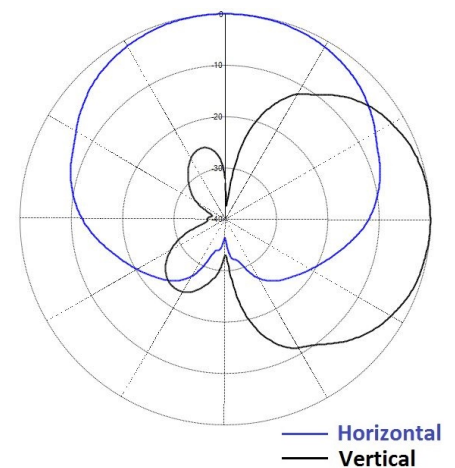
\*1 : Also available with N-Female connector.

#### Mechanical Specifications

Width	in (mm)	13.72 (348)
Depth	in (mm)	5.1 (130)
Length/ Height	in (mm)	15.88 (403)
Boom Diameter	in (mm)	0.84 (21)
Radiating element material		aluminum
Reflector material		aluminum
Finish		anodize (black)
Weight	lbs (kg)	1.27 (0.58)
Mounting Hardware (Included)		Clamp115
Actual shipping weight	lbs (kg)	4.5 (2.04)
Shipping dimensions	in (mm)	20x17x5 (508x432x127)

#### Environmental Specifications

Temperature range	°F (°C)	-40 to +140 (-40 to +60)
Wind Loading Area (Flat Plate Equivalent)	ft² (m²)	0.16 (0.01)
Wind Loading Area (1/2" ice)	ft² (m²)	0.42 (0.04)
Rated wind velocity (no ice)	mph (km/h)	215 (346)
Rated wind velocity (1/2" radial ice)	mph (km/h)	145 (233)
Lateral Thrust (100 mph No Ice)	lbs (N)	7.9 (35.3)
Bending moment (100 mph No Ice)	ft-lbs (Nm)	4.86 (6.6)



Region	United States	Europe, Middle East, and Africa	Canada, Caribbean, and Latin America	Asia-Pacific
Telephone	1 800 263 3275	+44 (0) 1487 84 28 19	Canada: 1 800 263 3275 International: +1 905 726 7676	+1 905 727 0165
E-mail	salesusa@sinctech.com	salesuk@sinctech.com	salescan@sinctech.com	salesasia@sinctech.com