

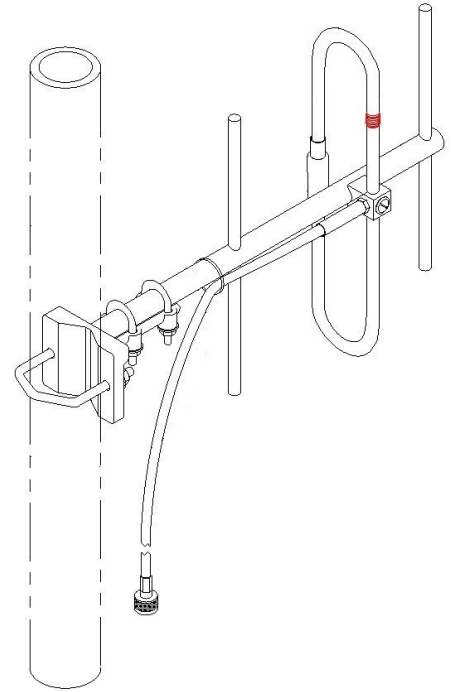
SY303-SF1SNM(ABK) Yagi directional, 6 dBd, black anodized, 403-430 MHz

- Rugged 3-element medium gain yagi
- Adapted for medium-gain applications
- Black anodized for corrosion assistance and long life
- Suitable for vertical or horizontal polarization

The SY303 series of antennas consist of a 3-element yagi of outstanding durability and performance. All elements including the folded dipole are maintained at DC Ground potential for lightning protection. Reflector and director elements are welded with 360 degree welds to the boom.

Offering 6 dBd of gain, these antennas can cover the frequency range of 380-490 with 4 sub-bands (F1 is 403-430 MHz, F2 is 450-475 MHz, F3 is 380-400 MHz, and F4 is 470-490 MHz).

As with other yagis, this UHF antenna can be mounted either horizontally or vertically.



Support pipe not supplied. Antenna may not appear exactly as picture.

www.sincltech.com

Region	United States	Europe, Middle East, and Africa	Canada, Caribbean, and Latin America	Asia-Pacific
Telephone	1 800 263 3275	+44 (0) 1487 84 28 19	Canada: 1 800 263 3275 International: +1 905 726 7676	+1 905 727 0165
E-mail	salesusa@sincltech.com	salesuk@sincltech.com	salescan@sincltech.com	salesasia@sincltech.com
Product Specification Sheet EPR 017465 Customer Tech Manual 005676		SY303-SF1SNM(ABK)	Issue: 2	Dated: 21-05-20 Dated: 21-05-20

Electrical Specifications

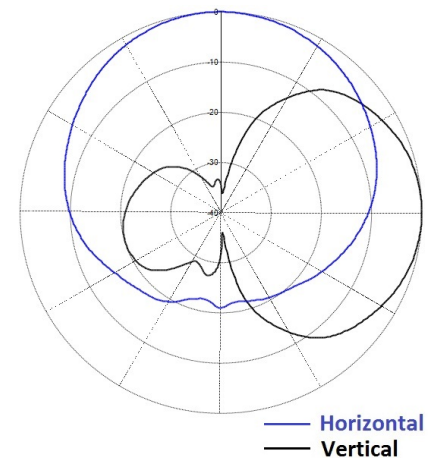
Frequency Range	MHz	403 to 430
Bandwidth	MHz	27
Connector		N-Male
Gain (nominal)	dBd (dBi)	6 (8.1)
Input VSWR (max)		1.5:1
Polarization		vertical or horizontal
Impedance	Ω	50
Pattern		Directional
Horizontal beamwidth (typ)	degrees	103
Vertical beamwidth (typ)	degrees	65
Average Input Power (max)	W	250
Front-to-back ratio (Typ)	dB	16
Lightning protection		DC ground

Mechanical Specifications

Width	in (mm)	13.72 (348)
Depth	in (mm)	5.1 (130)
Length/ Height	in (mm)	15.88 (403)
Boom Diameter	in (mm)	0.84 (21)
Radiating element material		aluminum
Reflector material		aluminum
Finish		anodize (black)
Weight	lbs (kg)	1.27 (0.58)
Mounting Hardware (Included)		Clamp115
Actual shipping weight	lbs (kg)	4.5 (2.04)
Shipping dimensions	in (mm)	20x17x5 (508x432x127)

Environmental Specifications

Temperature range	°F (°C)	-40 to +140 (-40 to +60)
Wind Loading Area (Flat Plate Equivalent)	ft² (m²)	0.16 (0.01)
Wind Loading Area (1/2" ice)	ft² (m²)	0.42 (0.04)
Rated wind velocity (no ice)	mph (km/h)	215 (346)
Rated wind velocity (1/2" radial ice)	mph (km/h)	145 (233)
Lateral Thrust (100 mph No Ice)	lbs (N)	7.9 (35.3)
Bending moment (100 mph No Ice)	ft-lbs (Nm)	4.86 (6.6)



Region	United States	Europe, Middle East, and Africa	Canada, Caribbean, and Latin America	Asia-Pacific
Telephone	1 800 263 3275	+44 (0) 1487 84 28 19	Canada: 1 800 263 3275 International: +1 905 726 7676	+1 905 727 0165
E-mail	salesusa@sinctech.com	salesuk@sinctech.com	salescan@sinctech.com	salesasia@sinctech.com