

SY250-SF2S(XX)(E) Yagi directional, extended boom for end mount, 7 dBd, 138-174 MHz

Also referred as: SRL250EB

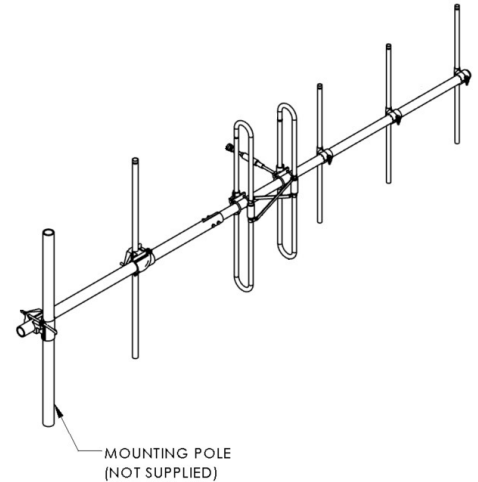
- Extended boom for end mounting
- Extremely wide bandwidth makes these antennas an excellent stocking item
- Specially designed for applications requiring extra broadband operation

The extremely wide bandwidth of the SY250 series makes it practical to stock these antennas for fast replacement use in any part of the 138-174 MHz band. Dual and quad arrays are available to meet your needs for higher gain, providing 9.5 and 12.0 dB gain respectively. The SY250 is also available for center boom mounting.

- Wall mount: WMK-250 wall mount kit

When ordering, please refer to the chart below for the model number and contact your Sinclair Sales Representative or Customer Service Representative for more information.

Model Number	Connector
SY250-SF2SNM(E)	N-Male
SY250-SF2SNF(E)	N-Female
SY250-SF2SDF(E)	7/16 DIN-Female



Region	United States	Europe, Middle East, and Africa	Canada, Caribbean, and Latin America	Asia-Pacific
Telephone	1 800 263 3275	+44 (0) 1487 84 28 19	Canada: 1 800 263 3275 International: +1 905 726 7676	+1 905 727 0165
E-mail	salesusa@sinctech.com	salesuk@sinctech.com	salescan@sinctech.com	salesasia@sinctech.com

Electrical Specifications

Frequency Range	MHz	138 to 174	
Bandwidth	MHz	36	
Connector		Various options avail.	*1
Gain (nominal)	dBd (dBi)	7 (9.1)	
Input VSWR (max)		2:1	
Polarization		vertical or horizontal	
Pattern		Directional	
Horizontal beamwidth (typ)	degrees	80	
Vertical beamwidth (typ)	degrees	60	
Average Input Power (max)	W	200	
Front-to-back ratio (Typ)	dB	20	*2

Notes

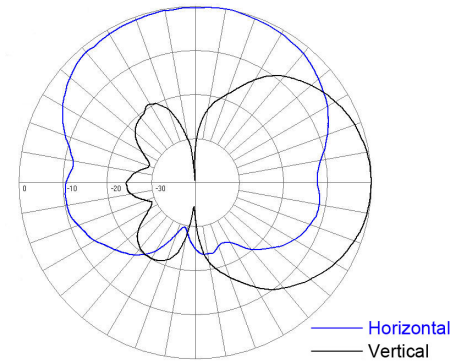
- *1 : See previous page for details
*2 : Typical

Mechanical Specifications

Width	in (mm)	42 (1067)
Depth	in (mm)	5 (127)
Length/ Height	in (mm)	108 (2743)
Base pipe diameter	in (mm)	1.9 (48)
Weight	lbs (kg)	13.9 (6.31)
Mounting Hardware (Included)		Clamp008
Estimated Shipping Weight	lbs (kg)	35 (15.89)
Actual shipping weight	lbs (kg)	55 (24.97)
Shipping dimensions	in (mm)	111x7x44 (2819x178x1118)

Environmental Specifications

Temperature range	°F (°C)	-40 to +140 (-40 to +60)
Wind Loading Area (Flat Plate Equivalent)	ft ² (m ²)	1.73 (0.16)
Wind Loading Area (1/2" ice)	ft ² (m ²)	3.37 (0.31)
Survival wind velocity (no ice)	mph (km/h)	170 (274)
Survival wind velocity (1/2" radial ice)	mph (km/h)	115 (185)
Rated wind velocity (no ice)	mph (km/h)	155 (250)
Rated wind velocity (1/2" radial ice)	mph (km/h)	100 (161)
Lateral Thrust (100 mph No Ice)	lbs (N)	69 (306.9)
Torsional moment (100 mph No Ice)	ft-lbs (Nm)	0 (0)
Bending moment (100 mph No Ice)	ft-lbs (Nm)	96.3 (130)



Region	United States	Europe, Middle East, and Africa	Canada, Caribbean, and Latin America	Asia-Pacific
Telephone	1 800 263 3275	+44 (0) 1487 84 28 19	Canada: 1 800 263 3275 International: +1 905 726 7676	+1 905 727 0165
E-mail	salesusa@sinctech.com	salesuk@sinctech.com	salescan@sinctech.com	salesasia@sinctech.com