

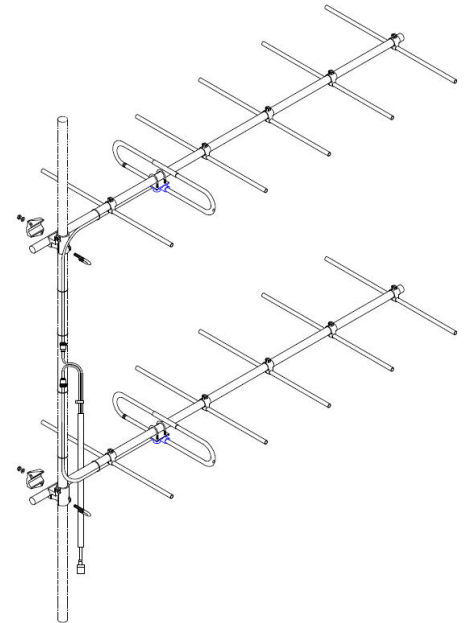
**SY2062-SF8SNF(E)** Yagi directional, dual array, extended boom for end mount, 12 dBd, 156-162 MHz

- Dual stacked for higher gain or bi-directional coverage
- Outstanding durability and performance
- DC ground potential for lightning protection
- Mounting pipe is NOT included

The SY2062 series of antennas consists of two six-element Yagis of outstanding durability and performance. All elements including the folded dipole are maintained at DC Ground potential for lightning protection. All elements on this antenna are attached to the boom with solid cast aluminum clamps.

This highly versatile antenna is available as a standard mount Yagi (C version), or, as an extended boom (E version) mounted unit.

As with other Yagi's, this VHF antenna is available in multiple-unit arrays for added gain. Horizontally or vertically parallel kits of 'H' frames can readily be supplied to mount two or four Yagi's with a common feed.



Region	United States	Europe, Middle East and Africa	Caribbean and Latin America	Canada and rest of the world
<b>Telephone</b>	USA: 1 800 263 3275	International: +44 (0) 1487 84 28 19	International: +1 905 726 7676	Canada: 1 800 263 3275 International: +1 905 727 0165
<b>E-mail</b>	salesusa@sinctech.com	salesuk@sinctech.com	salesla@sinctech.com	salescan@sinctech.com

#### Electrical Specifications

Frequency Range	MHz	156 to 162
Bandwidth	MHz	6
Connector		N-Female
Gain (nominal)	dBd (dBi)	12 (14.1)
Input VSWR (max)		1.5:1
Polarization		vertical
Impedance	Ω	50
Pattern		Directional
Average Power Input (max)	W	300
Lightning protection		DC ground
Front-to-back ratio (typ)	dB	17

#### Mechanical Specifications

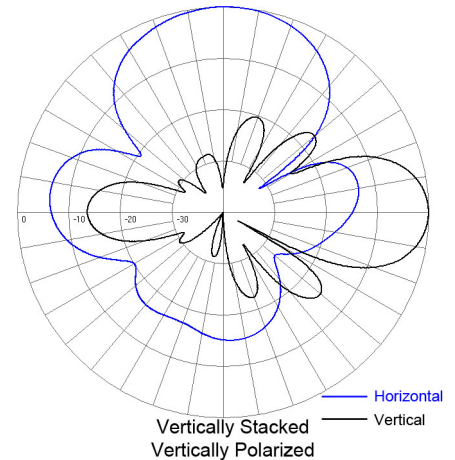
Width	in (mm)	5.5 (140)
Depth	in (mm)	112 (2845)
Length/ Height	in (mm)	105 (2667)
Base pipe diameter	in (mm)	1.5 (38)
Base pipe mounting length	in (mm)	14.5 (368)
Radiating element material		aluminum
Reflector material		aluminum
Weight	lbs (kg)	21.8 (9.9)
Weight iced (1/2" ice)	lbs (kg)	71.15 (32.3)
Mounting Hardware (Included)		Clamp001
Actual shipping weight	lbs (kg)	59 (26.79)
Shipping dimensions	in (mm)	120x12x48 (3048x305x1219)

#### Environmental Specifications

Temperature range	°F (°C)	-40 to +140 (-40 to +60)
Wind Loading Area (Flat Plate Equivalent)	ft² (m²)	2.98 (0.28)
Wind Loading Area (1/2" ice)	ft² (m²)	5.61 (0.52)
Rated wind velocity (no ice)	mph (km/h)	120 (193)
Rated wind velocity (1/2" radial ice)	mph (km/h)	85 (137)
Lateral thrust (100 mph No Ice)	lbs (N)	109.7 (488)
Bending moment (100 mph No Ice)	ft-lbs (Nm)	402.2 (543)
Tip deflection (100 mph No Ice)	degrees	2.3

#### Ordering Information

Mounting pipe is not included.



Polarization	Stacking	E-Plane	H-Plane
Vertical	Vertical	23	56
Vertical	Horizontal	46	28
Horizontal	Vertical	46	28
Horizontal	Horizontal	23	56

Region	United States	Europe, Middle East and Africa	Caribbean and Latin America	Canada and rest of the world
Telephone	USA: 1 800 263 3275	International: +44 (0) 1487 84 28 19	International: +1 905 726 7676	Canada: 1 800 263 3275 International: +1 905 727 0165
E-mail	salesusa@sinctech.com	salesuk@sinctech.com	salesla@sinctech.com	salescan@sinctech.com