

**SY2062-SF2SNM(E)** Yagi directional, dual array, extended boom for end mount, 12 dBd, 152-159 MHz

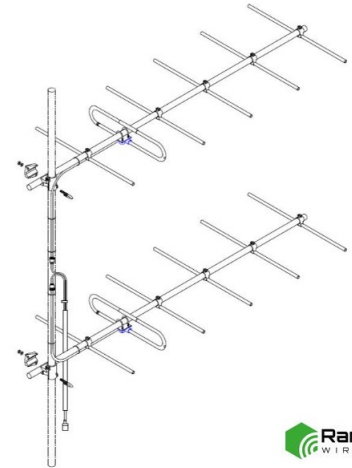
Also referred as: SRL2062EBNM\*2

- Dual stacked for higher gain or bi-directional coverage
- Outstanding durability and performance
- DC ground potential for lightning protection
- Mounting pipe is NOT included

The SY206 series of antennas consists of a six-element Yagi of outstanding durability and performance. All elements including the folded dipole are maintained at DC Ground potential for lightning protection. All elements on this antenna are attached to the boom with solid cast aluminum clamps.

This highly versatile antenna is supplied as a standard mount Yagi, or, as an end-boom mounted unit.

As with other Yagi's, this VHF antenna is available in multiple-unit arrays for added gain. Horizontally or vertically parallel kits of 'H' frames can readily be supplied to mount two or four Yagi's with a common feed.



www.sinctech.com

Region	United States	Europe, Middle East, and Africa	Canada, Caribbean, and Latin America	Asia-Pacific
<b>Telephone</b>	1 800 263 3275	+44 (0) 1487 84 28 19	Canada: 1 800 263 3275 International: +1 905 726 7676	+1 905 727 0165
<b>E-mail</b>	salesusa@sinctech.com	salesuk@sinctech.com	salescan@sinctech.com	salesasia@sinctech.com

Product Specification Sheet  
EPR 018275  
Customer Tech Manual 005909

SY2062-SF2SNM(E)

Issue: 6

Dated: 25-03-21  
Dated: 01-10-13

#### Electrical Specifications

Frequency Range	MHz	152 to 159
Bandwidth	MHz	7
Connector		N-Male
Gain (nominal)	dBd (dBi)	12 (14.1)
Input VSWR (max)		1.5:1
Polarization		vertical or horizontal
Pattern		Directional
Average Input Power (max)	W	300
Front-to-back ratio (Typ)	dB	17
Lightning protection		DC ground

#### Mechanical Specifications

Width	in (mm)	5.5 (140)	
Depth	in (mm)	116.25 (2953)	*1
Length/ Height	in (mm)	106.5 (2705)	*2
Base pipe diameter	in (mm)	1.5 (38)	
Radiating element material		aluminum	
Reflector material		aluminum	
Weight	lbs (kg)	23.5 (10.67)	*3
Weight iced (1/2" ice)	lbs (kg)	72.9 (33.1)	*4
Mounting Hardware (Included)		Clamp001	
Actual shipping weight	lbs (kg)	59 (26.79)	
Shipping dimensions	in (mm)	120x12x48 (3048x305x1219)	

#### Environmental Specifications

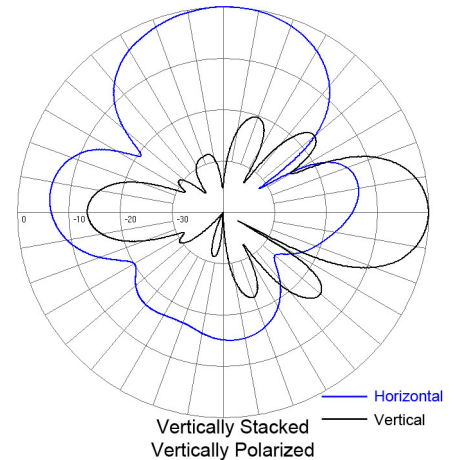
Temperature range	°F (°C)	-40 to +140 (-40 to +60)	
Wind Loading Area (Flat Plate Equivalent)	ft² (m²)	3.1 (0.29)	*5
Wind Loading Area (1/2" ice)	ft² (m²)	5.62 (0.52)	*6
Rated wind velocity (no ice)	mph (km/h)	120 (193)	
Rated wind velocity (1/2" radial ice)	mph (km/h)	85 (137)	
Lateral Thrust (100 mph No Ice)	lbs (N)	115.3 (512.9)	*7
Bending moment (100 mph No Ice)	ft-lbs (Nm)	438 (591.3)	*8
Tip deflection (100 mph No Ice)	degrees	2.4	*9

#### Notes

- \*1 : Depth of vertically stacked antennas including center to center boom distance
- \*2 : Length of antenna
- \*3 : Weight of system array
- \*4 : Weight of system array with 0.5" radial ice
- \*5 : For system array
- \*6 : For system array with 0.5" radial ice
- \*7 : Value based on 100 mph with 0" ice.
- \*8 : Value based on 100 mph with 0" ice.
- \*9 : Value based on 100 mph with 0" ice.

#### Ordering Information

Mounting pipe is not included.



Polarization	Stacking	E-Plane	H-Plane
Vertical	Vertical	23	56
Vertical	Horizontal	46	28
Horizontal	Vertical	46	28
Horizontal	Horizontal	23	56

Region	United States	Europe, Middle East, and Africa	Canada, Caribbean, and Latin America	Asia-Pacific
Telephone	1 800 263 3275	+44 (0) 1487 84 28 19	Canada: 1 800 263 3275 International: +1 905 726 7676	+1 905 727 0165
E-mail	salesusa@sinctech.com	salesuk@sinctech.com	salescan@sinctech.com	salesasia@sinctech.com