

SY206-SF1SNM(C) Yagi directional, 9.5 dBd, center mount, 148-155 MHz

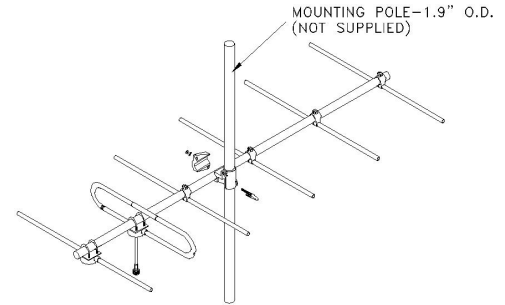
Also referred as: SRL206NM*1

- Six element yagi
- Outstanding durability and performance
- DC ground potential for lightning protection

The SY206 series of antennas consists of a six-element yagi of outstanding durability and performance. All elements including the folded dipole are maintained at DC Ground potential for lightning protection. All elements on this antenna are attached to the boom with solid cast aluminum clamps.

This highly versatile antenna is supplied as a standard mount yagi, or, as an end-boom mounted unit.

As with other yagis, this VHF antenna is available in multiple-unit arrays for added gain. Horizontally or vertically parallel kits of 'H' frames can readily be supplied to mount two or four yagis with a common feed.



Application Notes

- Specifications based on antenna being horizontally polarized.

| Region | United States | Europe, Middle East and Africa | Caribbean and Latin America | Canada and rest of the world |
|------------------|-----------------------|--------------------------------------|--------------------------------|--|
| Telephone | USA: 1 800 263 3275 | International: +44 (0) 1487 84 28 19 | International: +1 905 726 7676 | Canada: 1 800 263 3275 International: +1 905 727 0165 |
| E-mail | salesusa@sinctech.com | salesuk@sinctech.com | salesla@sinctech.com | salescan@sinctech.com |

Electrical Specifications

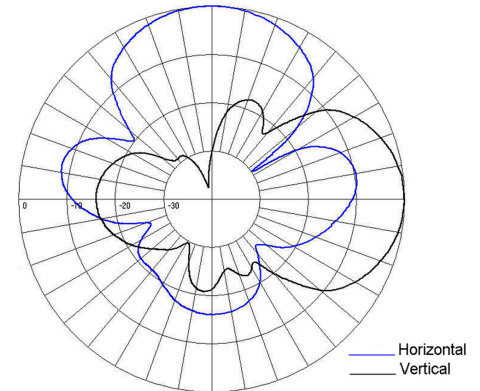
| | | |
|----------------------------|-----------|------------------------|
| Frequency Range | MHz | 148 to 155 |
| Bandwidth | MHz | 7 |
| Connector | | N-Male |
| Gain (nominal) | dBd (dBi) | 9.5 (11.6) |
| Input VSWR (max) | | 1.5:1 |
| Polarization | | vertical or horizontal |
| Pattern | | Directional |
| Horizontal beamwidth (typ) | degrees | 56 |
| Vertical beamwidth (typ) | degrees | 46 |
| Average Power Input (max) | W | 200 |
| Lightning protection | | DC ground |
| Front-to-back ratio (typ) | dB | 17 |

Mechanical Specifications

| | | |
|------------------------------|----------|------------------------|
| Width | in (mm) | 42.17 (1071) |
| Depth | in (mm) | 5.75 (146) |
| Length/ Height | in (mm) | 80.91 (2055) |
| Base pipe diameter | in (mm) | 1.5 (38) |
| Radiating element material | | aluminum |
| Reflector material | | aluminum |
| Weight | lbs (kg) | 12.5 (5.68) |
| Weight iced (1/2" ice) | lbs (kg) | 34.38 (15.61) |
| Mounting Hardware (Included) | | Clamp001 |
| Actual shipping weight | lbs (kg) | 41 (18.61) |
| Shipping dimensions | in (mm) | 127x8x7 (3226x203x178) |

Environmental Specifications

| | | |
|---|-------------|--------------------------|
| Temperature range | °F (°C) | -40 to +140 (-40 to +60) |
| Wind Loading Area (Flat Plate Equivalent) | ft² (m²) | 1.41 (0.13) |
| Wind Loading Area (1/2" ice) | ft² (m²) | 2.9 (0.27) |
| Rated wind velocity (no ice) | mph (km/h) | 145 (233) |
| Rated wind velocity (1/2" radial ice) | mph (km/h) | 85 (137) |
| Lateral thrust (100 mph No Ice) | lbs (N) | 31 (137.9) |
| Bending moment (100 mph No Ice) | ft-lbs (Nm) | 81 (109.4) |



| Region | United States | Europe, Middle East and Africa | Caribbean and Latin America | Canada and rest of the world |
|-----------|-----------------------|--------------------------------------|--------------------------------|--|
| Telephone | USA: 1 800 263 3275 | International: +44 (0) 1487 84 28 19 | International: +1 905 726 7676 | Canada: 1 800 263 3275 International: +1 905 727 0165 |
| E-mail | salesusa@sinctech.com | salesuk@sinctech.com | salesla@sinctech.com | salescan@sinctech.com |