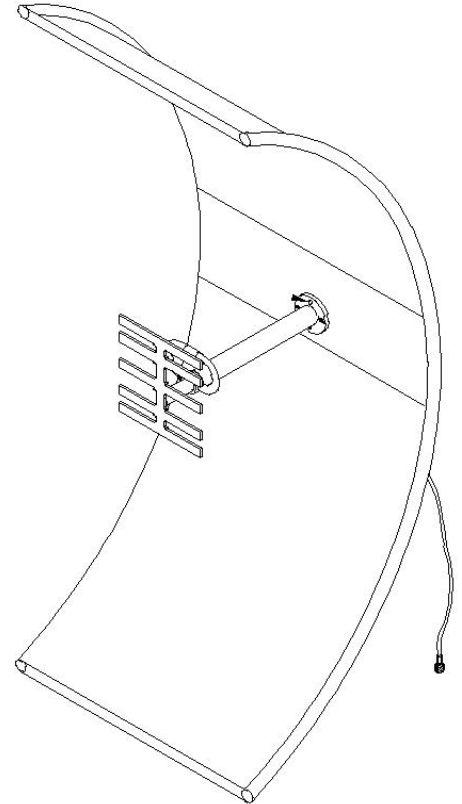


SV460-SF2SNM(G16-ABK) Parabolic reflector directive, 16 dBd, Black Anodized, 896-965 MHz

- Parabolic cylinder reflector with a dipole-reflector assembly and back-firing primary radiator
- Wideband, high gain antenna
- Meshed reflector for 15 dBd version; Solid reflector for 16 dBd version
- Black anodized

The SV460 series of antennas is a parabolic cylinder reflector with a dipole-reflector assembly, back-firing primary radiator. This wideband antenna was developed to provide more gain than a corner reflector can produce, yet be more economical than a parabolic dish.



www.sinctech.com

Region	United States	Europe, Middle East and Africa	Caribbean and Latin America	Canada and rest of the world
Telephone	USA: 1 800 263 3275	International: +44 (0) 1487 84 28 19	International: +1 905 726 7676	Canada: 1 800 263 3275 International: +1 905 727 0165
E-mail	salesusa@sinctech.com	salesuk@sinctech.com	salesla@sinctech.com	salescan@sinctech.com

Electrical Specifications

Frequency Range	MHz	896 to 965	
Connector		N-Male	
Gain (nominal)	dBd (dBi)	16 (18.1)	
Input VSWR (max)		1.5:1	
Polarization		vertical or horizontal	
Impedance	Ω	50	
Pattern		Directional	
Horizontal beamwidth (typ)	degrees	14	*1
Vertical beamwidth (typ)	degrees	31	*2
Average Power Input (max)	W	125	*3
Lightning protection		DC ground	
Front-to-back ratio (typ)	dB	24	

Notes

- *1 : Vertical Polarization
- *2 : Vertical Polarization
- *3 : at 50 degree C. 75W at 60 degree C.

Mechanical Specifications

Width	in (mm)	24 (610)
Depth	in (mm)	22.5 (572)
Length/ Height	in (mm)	56 (1422)
Weight	lbs (kg)	27.8 (12.62)
Mounting Hardware (Included)		Clamp004
Actual shipping weight	lbs (kg)	61 (27.69)
Shipping dimensions	in (mm)	58.75x30x28 (1492x762x711)

Environmental Specifications

Temperature range	°F (°C)	-40 to +140 (-40 to +60)
Wind Loading Area (Flat Plate Equivalent)	ft² (m²)	5.4 (0.5)
Wind Loading Area (1/2" ice)	ft² (m²)	5.7 (0.53)
Rated wind velocity (no ice)	mph (km/h)	100 (161)
Rated wind velocity (1/2" radial ice)	mph (km/h)	85 (137)
Lateral thrust (100 mph No Ice)	lbs (N)	297 (1321.1)

Region	United States	Europe, Middle East and Africa	Caribbean and Latin America	Canada and rest of the world
Telephone	USA: 1 800 263 3275	International: +44 (0) 1487 84 28 19	International: +1 905 726 7676	Canada: 1 800 263 3275 International: +1 905 727 0165
E-mail	salesusa@sinclaire.com	salesuk@sinclaire.com	salesla@sinclaire.com	salescan@sinclaire.com