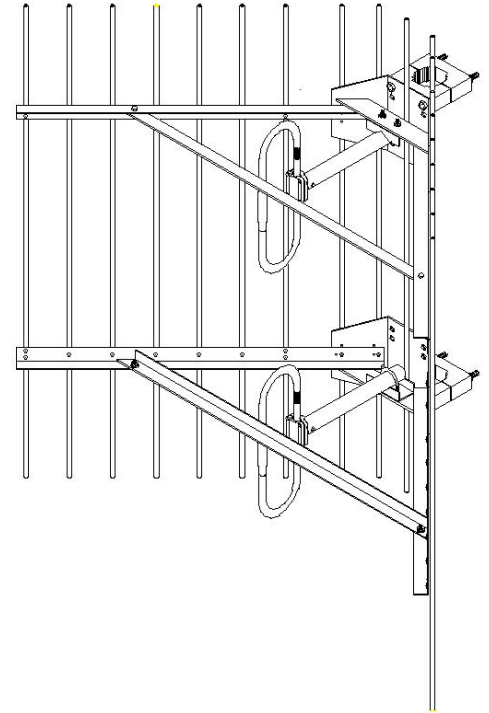


SV3022-HF2SNM(ABK) Corner reflector directive, 12 dBd, dual, HD, ABK, 450-512 MHz

- Offers reliable service in severe weather and ice conditions
- Broad band operation
- Excellent for multicoupling
- Black anodized

The SV3022 series are rugged corner reflector which covers the entire 406-470 or 450-512 MHz range. Because of its broadband operation, it is an excellent antenna for multicoupling several systems or for use with widely spaced duplex frequencies. The SV3022 offers 12 dBd of gain over the specified frequency range.



Non-ABK model shown.

www.sinctech.com

Region	United States	Europe, Middle East and Africa	Caribbean and Latin America	Canada and rest of the world
Telephone	USA: 1 800 263 3275	International: +44 (0) 1487 84 28 19	International: +1 905 726 7676	Canada: 1 800 263 3275 International: +1 905 727 0165
E-mail	salesusa@sinctech.com	salesuk@sinctech.com	salesla@sinctech.com	salescan@sinctech.com

Electrical Specifications

Frequency Range	MHz	450 to 512
Connector		N-Male
Gain (nominal)	dBd (dBi)	12 (14.1)
Input VSWR (max)		1.5:1
Polarization		vertical or horizontal
Impedance	Ω	50
Pattern		Directional
Horizontal beamwidth (typ)	degrees	38
Vertical beamwidth (typ)	degrees	30
Average Input Power (max)	W	125
Front-to-back ratio (Typ)	dB	20
Lightning protection		DC ground

Notes

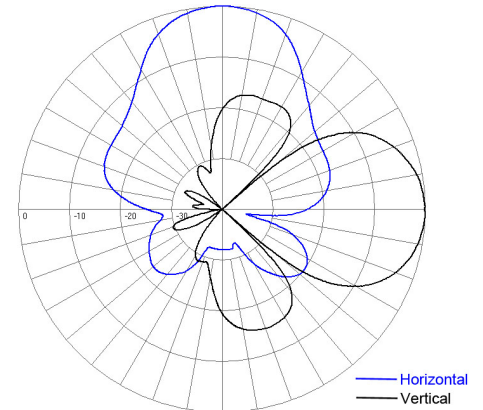
*1 : Qty 2

Mechanical Specifications

Width	in (mm)	50 (1270)
Depth	in (mm)	23 (584)
Length/ Height	in (mm)	30 (762)
Finish		anodize (black)
Weight	lbs (kg)	30 (13.62)
Mounting Hardware (Included)		Clamp004
Actual shipping weight	lbs (kg)	50 (22.7)
Shipping dimensions	in (mm)	47x12x36 (1194x305x914)

Environmental Specifications

Temperature range	°F (°C)	-40 to +140 (-40 to +60)
Rated wind velocity (no ice)	mph (km/h)	125 (201)
Rated wind velocity (1/2" radial ice)	mph (km/h)	85 (137)
Lateral Thrust (100 mph No Ice)	lbs (N)	202 (898.5)



Region	United States	Europe, Middle East and Africa	Caribbean and Latin America	Canada and rest of the world
Telephone	USA: 1 800 263 3275	International: +44 (0) 1487 84 28 19	International: +1 905 726 7676	Canada: 1 800 263 3275 International: +1 905 727 0165
E-mail	salesusa@sinctech.com	salesuk@sinctech.com	salesla@sinctech.com	salescan@sinctech.com