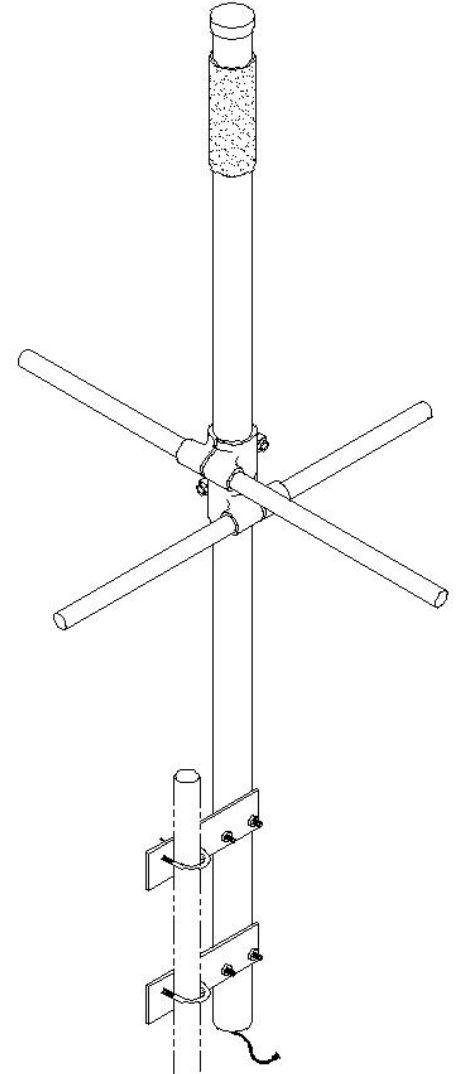


SG201-SF3SNM Ground plane omni, 0 dBd, 3.3-4.7% B.W., N-Male, 148-174 MHz

Also referred as: SRL201NM*3

- Wideband omnidirectional ground plane antenna with unity gain
- Easily field adjustable
- Aluminum construction throughout

The SG-201 is a rugged wideband omnidirectional ground plane antenna with unity gain. Aluminum construction is used throughout resulting in a rugged antenna ideal for adverse weather and environmental conditions. The SG-201 is easily field adjustable to better than 1.5:1 VSWR at any frequency within operating range. A tuning chart is provided with each antenna. Low band versions available. Contact your Sinclair representative for detailed specifications.



www.sinctech.com

Region	United States	Europe, Middle East and Africa	Caribbean and Latin America	Canada and rest of the world
Telephone	USA: 1 800 263 3275	International: +44 (0) 1487 84 28 19	International: +1 905 726 7676	Canada: 1 800 263 3275 International: +1 905 727 0165
E-mail	salesusa@sinctech.com	salesuk@sinctech.com	salesla@sinctech.com	salescan@sinctech.com

Electrical Specifications

Frequency Range	MHz	148 to 174
Connector		N-Male
Gain (nominal)	dBd (dBi)	unity (2.1)
Input VSWR (max)		1.5:1
Polarization		vertical
Pattern		Omn-directional
Vertical beamwidth (typ)	degrees	75
Average Power Input (max)	W	250
Lightning protection		DC ground

Mechanical Specifications

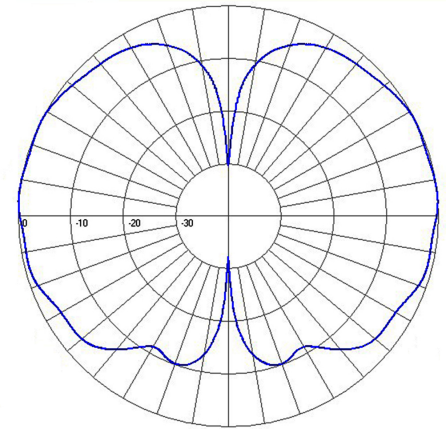
Width	in (mm)	56 (1422)
Depth	in (mm)	56 (1422)
Length/ Height	in (mm)	64 (1626)
Base pipe diameter	in (mm)	1.5 (38)
Base pipe mounting length	in (mm)	12 (305)
Weight	lbs (kg)	8 (3.63)
Mounting Hardware (Included)		Clamp135
Actual shipping weight	lbs (kg)	15 (6.81)
Shipping dimensions	in (mm)	73x5x6 (1854x127x152)

Environmental Specifications

Temperature range	°F (°C)	-40 to +140 (-40 to +60)
Wind Loading Area (Flat Plate Equivalent)	ft ² (m ²)	1.47 (0.14)
Wind Loading Area (1/2" ice)	ft ² (m ²)	2.48 (0.23)
Rated wind velocity (no ice)	mph (km/h)	130 (209)
Rated wind velocity (1/2" radial ice)	mph (km/h)	85 (137)
Lateral thrust (100 mph No Ice)	lbs (N)	24.2 (107.6)
Bending moment (100 mph No Ice)	ft-lbs (Nm)	47.7 (64.4)

Ordering Information

N-female connector available upon request.
Please specify connector and frequency band of operation.



Elevation

Region	United States	Europe, Middle East and Africa	Caribbean and Latin America	Canada and rest of the world
Telephone	USA: 1 800 263 3275	International: +44 (0) 1487 84 28 19	International: +1 905 726 7676	Canada: 1 800 263 3275 International: +1 905 727 0165
E-mail	salesusa@sinctech.com	salesuk@sinctech.com	salesla@sinctech.com	salescan@sinctech.com