

SD242-SF3P2SFNM(D00) 2 dipole, 5.0 dBd, bi-directional, 190-225 MHz

- 2-bay dipole that covers the 190-225 MHz band
- 5 dBd gain with bi-directional pattern and 300W power handling
- Flange mounted connector for enhanced durability
- Can be top or side mount (Universal mount)

The SD242 series is a rugged heavy-duty 2-bay exposed dipole antenna, designed for applications where moderate gain is required. These premium-quality antennas are well suited to public safety applications.

Low PIM and electrical downtilt models are available upon request, please call for details.



www.sinctech.com

Region	United States	Europe, Middle East, and Africa	Canada, Caribbean, and Latin America	Asia-Pacific
Telephone	1 800 263 3275	+44 (0) 1487 84 28 19	Canada: 1 800 263 3275 International: +1 905 726 7676	+1 905 727 0165
E-mail	salesusa@sinctech.com	salesuk@sinctech.com	salescan@sinctech.com	salesasia@sinctech.com
Product Specification Sheet		SD242-SF3P2SFNM(D00)	Issue: 1	Dated: 27-07-21
EPR				Dated: 22-04-21
Customer Tech Manual				

Electrical Specifications

Frequency Range	MHz	190 to 225	
Bandwidth	MHz	35	
Connector		N-Male	
Gain (nominal)	dBd (dBi)	5 (7.1)	*1
Input VSWR (max)		1.5:1	
Polarization		vertical	
Impedance	Ω	50	
Pattern		Bi-directional	
Vertical beamwidth (typ)	degrees	33	*2
Average Input Power (max)	W	300	
Lightning protection		DC ground	
Main Beam Electrical Tilt (Downtilt)	degrees	0	

Notes

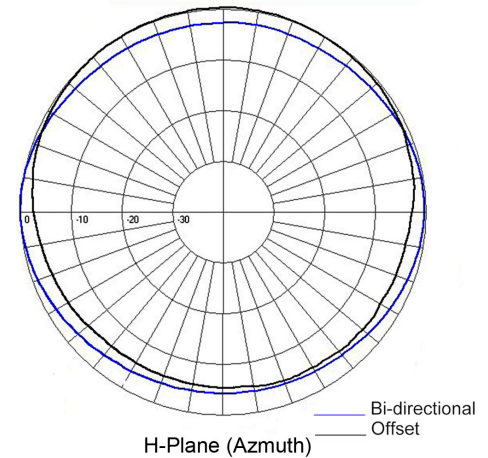
- *1 : ±1 dBd
- *2 : ±10%
- *3 : Qty: 2
- *4 : Optional, not included.

Mechanical Specifications

Width	in (mm)	32 (813)	
Depth	in (mm)	3.5 (89)	
Length/ Height	in (mm)	103 (2616)	
Base pipe diameter	in (mm)	1.9 (48)	
Base pipe mounting length	in (mm)	34 (864)	
Radiating element material		aluminum	
Base pipe material		aluminum	
Weight	lbs (kg)	17 (7.72)	
Weight iced (1/2" ice)	lbs (kg)	41 (18.61)	
Mounting configurations		Universal mount	
Mounting Hardware (Optional)		Clamp005, Clamp015, or Clamp130	*3
Kit For Offset Side Mount (straight tower leg)		SMK-425-A3-T3 or SMK-425-A7-T3	*4
Actual shipping weight	lbs (kg)	40 (18.16)	
Shipping dimensions	in (mm)	108x36x6 (2743x914x152)	

Ordering Information

Clamps must be ordered separately.



Environmental Specifications

Temperature range	°F (°C)	-40 to +140 (-40 to +60)	
Wind Loading Area (Flat Plate Equivalent)	ft ² (m ²)	1.6 (0.15)	
Wind Loading Area (1/2" ice)	ft ² (m ²)	2.8 (0.26)	
Survival wind velocity (no ice)	mph (km/h)	264 (425)	
Rated wind velocity (no ice)	mph (km/h)	165 (266)	
Rated wind velocity (1/2" radial ice)	mph (km/h)	120 (193)	
Lateral Thrust (100 mph No Ice)	lbs (N)	59 (262.4)	
Torsional moment (100 mph No Ice)	ft-lbs (Nm)	47 (63.5)	
Bending moment (100 mph No Ice)	ft-lbs (Nm)	167 (225.5)	
Tip deflection (100 mph No Ice)	degrees	0.4	

Region	United States	Europe, Middle East, and Africa	Canada, Caribbean, and Latin America	Asia-Pacific
Telephone	1 800 263 3275	+44 (0) 1487 84 28 19	Canada: 1 800 263 3275 International: +1 905 726 7676	+1 905 727 0165
E-mail	salesusa@sinctech.com	salesuk@sinctech.com	salescan@sinctech.com	salesasia@sinctech.com