

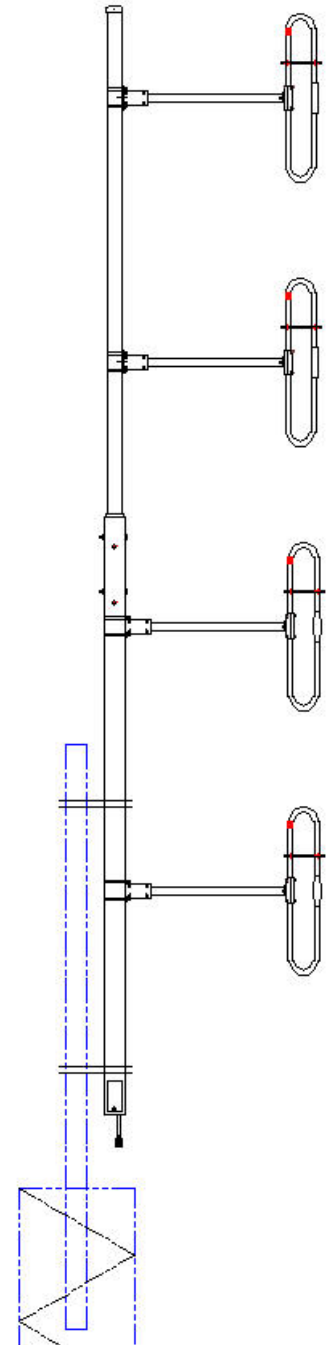
SD214-HF2P4SNM(D00B) 4 dipole, 8.5 dBd, offset, top mount, HD, 138-174 MHz

- Covers the 138-174 MHz frequency range
- 8.5 dBd gain with offset pattern
- Heavy duty with 300W power handling
- Top mount

The SD214-H series is a heavy duty rugged 4-bay exposed dipole antenna designed for applications where moderate gain is required. These premium-quality antennas are well suited to public safety applications.

The design of these antennas provides for coverage between 118 to 225 MHz in 3 sub bands, 118-138 MHz for civil aviation applications, 138-174 MHz for private mobile networks, public safety and public security and 220-225 MHz for transportation networks.

The standard connector offered is N-Male



www.sinctech.com

Region	United States	Europe, Middle East and Africa	Caribbean and Latin America	Canada and rest of the world
Telephone	USA: 1 800 263 3275	International: +44 (0) 1487 84 28 19	International: +1 905 726 7676	Canada: 1 800 263 3275 International: +1 905 727 0165
E-mail	salesusa@sinctech.com	salesuk@sinctech.com	salesla@sinctech.com	salescan@sinctech.com

Electrical Specifications

Frequency Range	MHz	138 to 174
Connector		N-Male
Gain (nominal)	dBd (dBi)	8.5 (10.6)
Input VSWR (max)		1.5:1
Polarization		vertical
Impedance	Ω	50
Pattern		Offset
Horizontal beamwidth (typ)	degrees	180
Vertical beamwidth (typ)	degrees	17
Average Power Input (max)	W	300
Lightning protection		DC ground
Electrical tilt (available)		0,2,4,6, or 8 degrees
Front-to-back ratio (typ)	dB	9

Notes

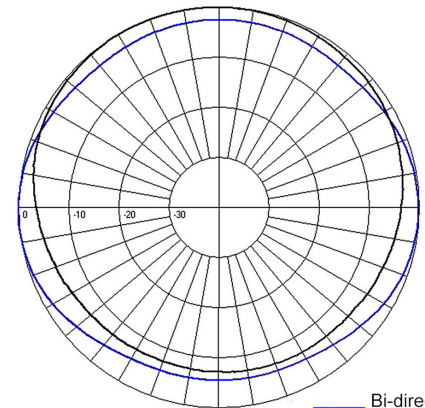
*1 : Qty 2 required

Mechanical Specifications

Width	in (mm)	25.75 (654)
Depth	in (mm)	5 (127)
Length/ Height	in (mm)	222 (5639)
Base pipe diameter	in (mm)	4 (102)
Base pipe mounting length	in (mm)	48 (1219)
Radiating element material		aluminum
Base pipe material		aluminum
Weight	lbs (kg)	104 (47.22)
Weight iced (1/2" ice)	lbs (kg)	189 (85.81)
Mounting Hardware (Optional)		Clamp006C *1
Actual shipping weight	lbs (kg)	161 (73.09)
Shipping dimensions	in (mm)	228x30x6 (5791x762x152)
Mounting information		Upright
Mounting configurations		top mount

Ordering Information

Clamps must be ordered separately.



H-Plane (Azimuth) — Bi-directional
— Offset

Environmental Specifications

Temperature range	°F (°C)	-40 to +140 (-40 to +60)
Wind Loading Area (Flat Plate Equivalent)	ft² (m²)	5.48 (0.51)
Wind Loading Area (1/2" ice)	ft² (m²)	8.06 (0.75)
Rated wind velocity (no ice)	mph (km/h)	205 (330)
Rated wind velocity (1/2" radial ice)	mph (km/h)	160 (258)
Lateral thrust (100 mph No Ice)	lbs (N)	204 (907.4)
Torsional moment (100 mph No Ice)	ft-lbs (Nm)	79 (106.7)
Bending moment (100 mph No Ice)	ft-lbs (Nm)	1051 (1418.9)
Tip deflection (100 mph No Ice)	degrees	0.3

Region	United States	Europe, Middle East and Africa	Caribbean and Latin America	Canada and rest of the world
Telephone	USA: 1 800 263 3275	International: +44 (0) 1487 84 28 19	International: +1 905 726 7676	Canada: 1 800 263 3275 International: +1 905 727 0165
E-mail	salesusa@sinctech.com	salesuk@sinctech.com	salesla@sinctech.com	salescan@sinctech.com