

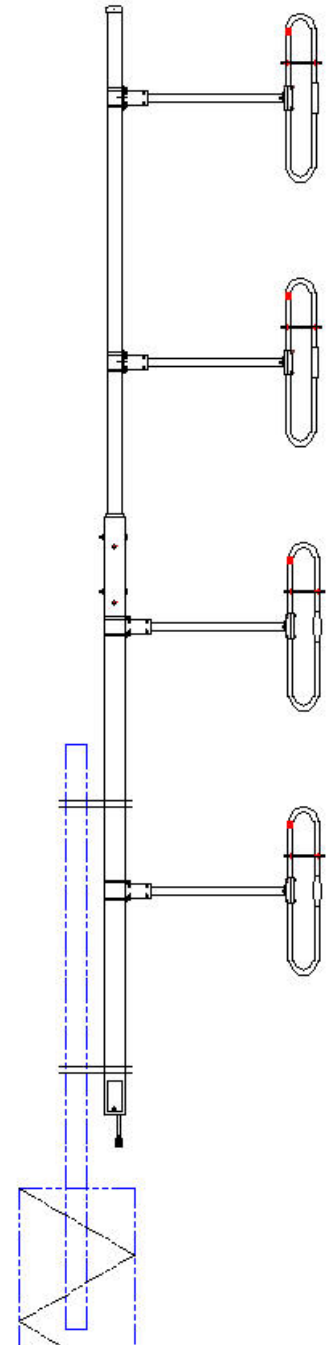
SD214-HF1P4SNM(D00B) 4 dipole, 8.5 dBd, offset, top mount, HD, 118-138 MHz

- Covers the 118-138 MHz frequency range
- 8.5 dBd gain with offset pattern
- Heavy duty with 300W power handling
- Top mount

The SD214-H series is a heavy duty rugged 4-bay exposed dipole antenna designed for applications where moderate gain is required. These premium-quality antennas are well suited to public safety applications.

The design of these antennas provides for coverage between 118 to 225 MHz in 3 sub bands, 118-138 MHz for civil aviation applications, 138-174 MHz for private mobile networks, public safety and public security and 220-225 MHz for transportation networks.

The standard connector offered is N-Male



www.sinctech.com

Region	United States	Europe, Middle East and Africa	Caribbean and Latin America	Canada and rest of the world
Telephone	USA: 1 800 263 3275	International: +44 (0) 1487 84 28 19	International: +1 905 726 7676	Canada: 1 800 263 3275 International: +1 905 727 0165
E-mail	salesusa@sinctech.com	salesuk@sinctech.com	salesla@sinctech.com	salescan@sinctech.com

### Electrical Specifications

Frequency Range	MHz	118 to 138
Connector		N-Male
Gain (nominal)	dBd (dBi)	8.5 (10.6)
Input VSWR (max)		1.5:1
Polarization		vertical
Impedance	Ω	50
Pattern		Offset
Horizontal beamwidth (typ)	degrees	180
Vertical beamwidth (typ)	degrees	17
Average Power Input (max)	W	300
Lightning protection		DC ground
Electrical tilt (available)		0,2,4,6, or 8 degrees
Front-to-back ratio (typ)	dB	9

### Notes

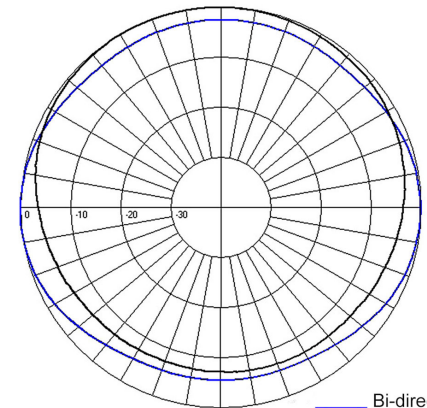
\*1 : Qty 2 required

### Mechanical Specifications

Width	in (mm)	30 (762)
Depth	in (mm)	6 (152)
Length/ Height	in (mm)	306 (7772)
Base pipe diameter	in (mm)	4 (102)
Base pipe mounting length	in (mm)	46 (1168)
Radiating element material		aluminum
Base pipe material		aluminum
Weight	lbs (kg)	139 (63.11)
Weight iced (1/2" ice)	lbs (kg)	246 (111.68)
Mounting Hardware (Optional)		Clamp006C *1
Actual shipping weight	lbs (kg)	175 (79.45)
Shipping dimensions	in (mm)	325x30x6 (8255x762x152)
Mounting information		Upright
Mounting configurations		top mount

### Ordering Information

Clamps must be ordered separately.



H-Plane (Azimuth) — Bi-directional — Offset

### Environmental Specifications

Temperature range	°F (°C)	-40 to +140 (-40 to +60)
Wind Loading Area (Flat Plate Equivalent)	ft <sup>2</sup> (m <sup>2</sup> )	7.5 (0.7)
Wind Loading Area (1/2" ice)	ft <sup>2</sup> (m <sup>2</sup> )	10.8 (1)
Rated wind velocity (no ice)	mph (km/h)	135 (217)
Rated wind velocity (1/2" radial ice)	mph (km/h)	105 (169)
Lateral thrust (100 mph No Ice)	lbs (N)	290 (1289.9)
Torsional moment (100 mph No Ice)	ft-lbs (Nm)	127 (171.5)
Bending moment (100 mph No Ice)	ft-lbs (Nm)	2593 (3500.6)
Tip deflection (100 mph No Ice)	degrees	0.5

Region	United States	Europe, Middle East and Africa	Caribbean and Latin America	Canada and rest of the world
<b>Telephone</b>	USA: 1 800 263 3275	International: +44 (0) 1487 84 28 19	International: +1 905 726 7676	Canada: 1 800 263 3275 International: +1 905 727 0165
<b>E-mail</b>	salesusa@sinctech.com	salesuk@sinctech.com	salesla@sinctech.com	salescan@sinctech.com