

SD212D-SF2P4SNM(D00) 2 dipole, dual port, 5.5 dBd, offset, 138-174 MHz

Also referred as: SRL210C2/210C2*4

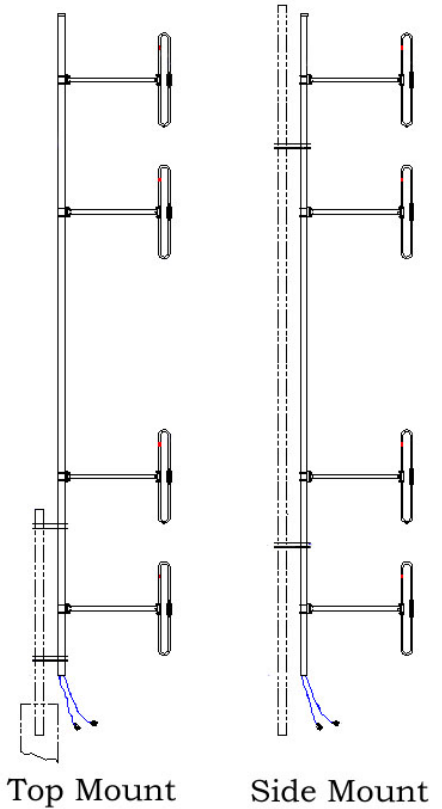
- Dual array with 2 separate feed cables
- 5.5 dBd gain with offset pattern
- Can be top or side mounted (Universal Mount)
- Perfectly suited for multicoupled systems.

**Recommend SMK-125-A3 or SMK-125-A7 for Offset Side Mount.
Available from Sinclair separately.**

The SD212D series is a 2-bay exposed dipole antenna with two separate feed cables, designed for applications where moderate gain is required and there isn't room for two separate antennas on a tower. These premium-quality antennas are well suited to public safety applications.

The design of these antennas provides for coverage between 138-174 MHz.

The standard connector offered is N male which is terminated on a 1 foot cable.



Top Mount

Side Mount

Region	United States	Europe, Middle East and Africa	Caribbean and Latin America	Canada and rest of the world
Telephone	USA: 1 800 263 3275	International: +44 (0) 1487 84 28 19	International: +1 905 726 7676	Canada: 1 800 263 3275 International: +1 905 727 0165
E-mail	salesusa@sinctech.com	salesuk@sinctech.com	salesla@sinctech.com	salescan@sinctech.com

Electrical Specifications

Frequency Range	MHz	138 to 174
Connector		N-Male
Gain (nominal)	dBd (dBi)	5.5 (7.6)
Input VSWR (max)		1.5:1
Polarization		vertical
Pattern		Offset
Isolation (typ)	dB	30
Horizontal beamwidth (typ)	degrees	210
Vertical beamwidth (typ)	degrees	34
Average Power Input (max)	W	300
Isolation between sections (nom)	dB	30
Lightning protection		DC ground
Front-to-back ratio (typ)	dB	6.5

Notes

*1 : Qty 2

Mechanical Specifications

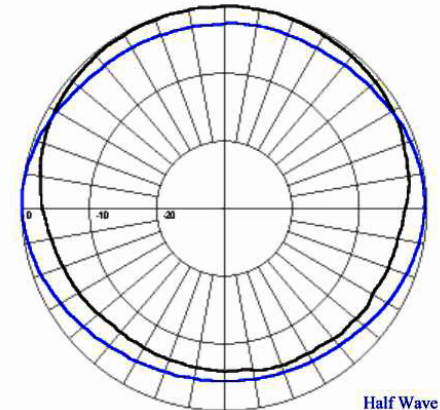
Width	in (mm)	23 (584)
Depth	in (mm)	3.5 (89)
Length/ Height	in (mm)	240 (6096)
Base pipe diameter	in (mm)	2.38 (60)
Base pipe mounting length	in (mm)	60 (1524)
Radiating element material		aluminum
Base pipe material		aluminum
Weight	lbs (kg)	52 (23.61)
Weight iced (1/2" ice)	lbs (kg)	115 (52.21)
Mounting Hardware (Optional)		Clamp147, Clamp005, or Clamp015 *1
Actual shipping weight	lbs (kg)	74 (33.6)
Shipping dimensions	in (mm)	246x24x6 (6248x610x152)
Mounting configurations		Universal Mount
Recommended For Offset Side Mount:		SMK-125-A3 or SMK-125-A7

Ordering Information

Clamps not included. Recommend Qty2- Clamp130.

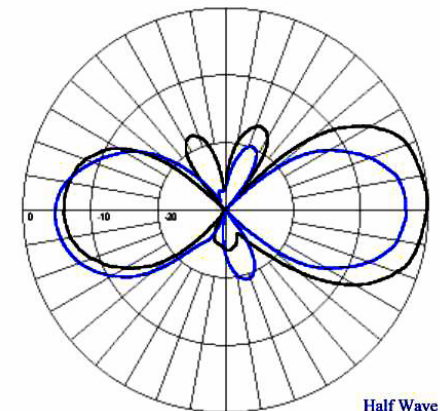
Environmental Specifications

Temperature range	°F (°C)	-40 to +140 (-40 to +60)
Wind Loading Area (Flat Plate Equivalent)	ft² (m²)	4.1 (0.38)
Wind Loading Area (1/2" ice)	ft² (m²)	6.8 (0.63)
Rated wind velocity (no ice)	mph (km/h)	120 (193)
Rated wind velocity (1/2" radial ice)	mph (km/h)	95 (153)
Rated Wind Velocity (4" radial ice)	mph (km/h)	72 (116)
Lateral thrust (100 mph No Ice)	lbs (N)	149 (662.8)
Bending moment (100 mph No Ice)	ft-lbs (Nm)	933 (1259.6)



Azimuth

Half Wave
Quarter Wave



Elevation

Half Wave
Quarter Wave

Region	United States	Europe, Middle East and Africa	Caribbean and Latin America	Canada and rest of the world
Telephone	USA: 1 800 263 3275	International: +44 (0) 1487 84 28 19	International: +1 905 726 7676	Canada: 1 800 263 3275 International: +1 905 727 0165
E-mail	salesusa@sinctech.com	salesuk@sinctech.com	salesla@sinctech.com	salescan@sinctech.com