

SD212-SF2P2LDF(D00) 2 dipole, 4.5 dBd, bi-directional, low PIM, 138-174 MHz

- 2-bay dipole antenna that covers the 138-174 MHz band
- 4.5 dBd gain with bi-directional pattern
- 300W power handling
- Can be top or side mounted (Universal Mount)

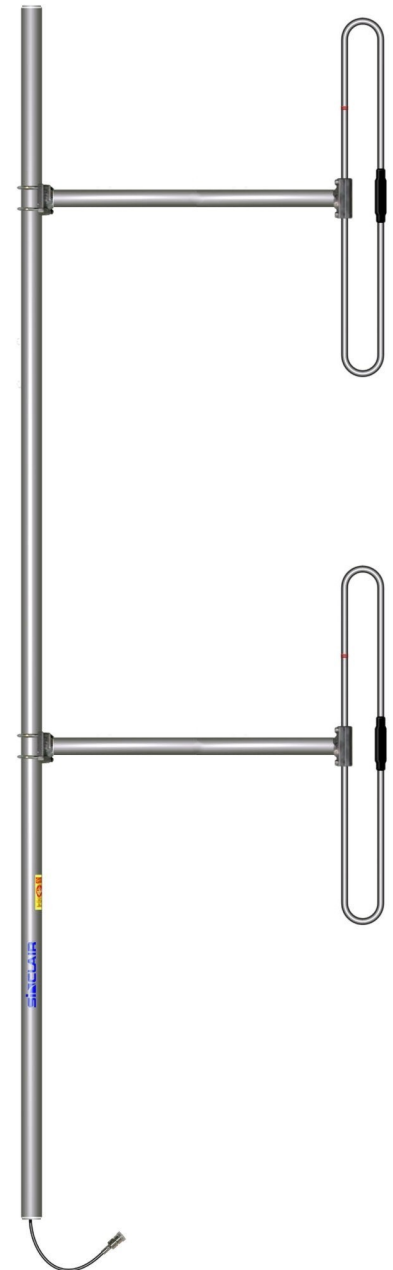
**Recommend SMK-125-A3 or SMK-125-A7 for Offset Side Mount.  
Available from Sinclair separately.**

The SD212-L series is an extremely rugged 2-bay exposed dipole antenna designed for applications where moderate gain is required and Passive Intermodulation interference (PIM) is a consideration. These premium-quality antennas are well suited for public safety applications.

The SD212-L provides industry leading -150 dBc Passive Intermodulation (PIM) performance.

### Application Notes

- The SD212-L is a rugged low-PIM, medium gain dipole antenna designed to provide coverage for public safety applications. The SD212-L is especially well suited to multicoupled applications where PIM is a consideration.
- Sub bands:  
118-138 MHz (F1)  
138-174 MHz (F2)  
190-225 MHz (F3)



| Region    | United States         | Europe, Middle East and Africa       | Caribbean and Latin America    | Canada and rest of the world                             |
|-----------|-----------------------|--------------------------------------|--------------------------------|--|
| Telephone | USA: 1 800 263 3275   | International: +44 (0) 1487 84 28 19 | International: +1 905 726 7676 | Canada: 1 800 263 3275<br>International: +1 905 727 0165 |
| E-mail    | salesusa@sinctech.com | salesuk@sinctech.com                 | salesla@sinctech.com           | salescan@sinctech.com                                    |

#### Electrical Specifications

|                                     |           |                          |
|-------------------------------------|-----------|--------------------------|
| Frequency Range                     | MHz       | 138 to 174               |
| Connector                           |           | 7/16 DIN-Female          |
| Gain (nominal)                      | dBd (dBi) | 4.5 (6.6)                |
| Input VSWR (max)                    |           | 1.5:1                    |
| Polarization                        |           | vertical                 |
| Impedance                           | Ω         | 50                       |
| Pattern                             |           | Bi-directional           |
| Vertical beamwidth (typ)            | degrees   | 36                       |
| Average Power Input (max)           | W         | 300                      |
| Passive intermod. (2x20W, 3rd ord.) | dBc       | -150                     |
| Lightning protection                |           | DC ground                |
| Electrical tilt (available)         |           | 0,2,4,6,8, or 10 degrees |

#### Notes

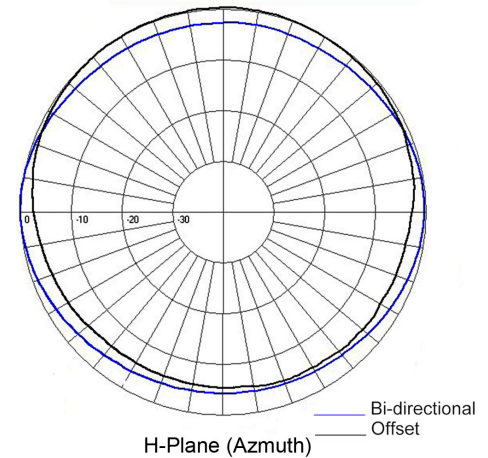
\*1 : Qty 2

#### Mechanical Specifications

|                                    |          |                                    |
|------------------------------------|----------|------------------------------------|
| Width                              | in (mm)  | 42 (1067)                          |
| Depth                              | in (mm)  | 3.5 (89)                           |
| Length/ Height                     | in (mm)  | 120 (3048)                         |
| Base pipe diameter                 | in (mm)  | 1.9 (48)                           |
| Radiating element material         |          | aluminum                           |
| Base pipe material                 |          | aluminum                           |
| Weight                             | lbs (kg) | 23.2 (10.53)                       |
| Weight iced (1/2" ice)             | lbs (kg) | 55.9 (25.38)                       |
| Mounting Hardware (Optional)       |          | Clamp005, Clamp015, or Clamp130 *1 |
| Recommended For Offset Side Mount: |          | SMK-125-A3 or SMK-125-A7           |
| Mounting configurations            |          | Universal Mount                    |
| Actual shipping weight             | lbs (kg) | 44.5 (20.2)                        |
| Shipping dimensions                | in (mm)  | 126x44x4 (3200x1118x102)           |

#### Ordering Information

Clamps must be ordered separately.



#### Environmental Specifications

|   |             |                          |
|---|-------------|--------------------------|
| Temperature range                         | °F (°C)     | -40 to +140 (-40 to +60) |
| Wind Loading Area (Flat Plate Equivalent) | ft² (m²)    | 1.86 (0.17)              |
| Wind Loading Area (1/2" ice)              | ft² (m²)    | 3.31 (0.31)              |
| Rated wind velocity (no ice)              | mph (km/h)  | 150 (242)                |
| Rated wind velocity (1/2" radial ice)     | mph (km/h)  | 105 (169)                |
| Lateral Thrust (100 mph No Ice)           | lbs (N)     | 79.9 (355.4)             |
| Torsional moment (100 mph No Ice)         | ft-lbs (Nm) | 95.3 (128.7)             |
| Bending moment (100 mph No Ice)           | ft-lbs (Nm) | 233.7 (315.5)            |

| Region    | United States         | Europe, Middle East and Africa       | Caribbean and Latin America    | Canada and rest of the world                             |
|-----------|-----------------------|--------------------------------------|--------------------------------|--|
| Telephone | USA: 1 800 263 3275   | International: +44 (0) 1487 84 28 19 | International: +1 905 726 7676 | Canada: 1 800 263 3275<br>International: +1 905 727 0165 |
| E-mail    | salesusa@sinctech.com | salesuk@sinctech.com                 | salesla@sinctech.com           | salescan@sinctech.com                                    |