

SD212-SF1P2LDF(D00) 2 dipole, 4.5 dBd, low PIM, bi-directional, 118-138 MHz

- 2-bay dipole antenna that covers the 118-138 MHz band
- 4.5 dBd gain with bi-directional pattern
- 300 W power handling
- Can be top or side mounted (Universal Mount)

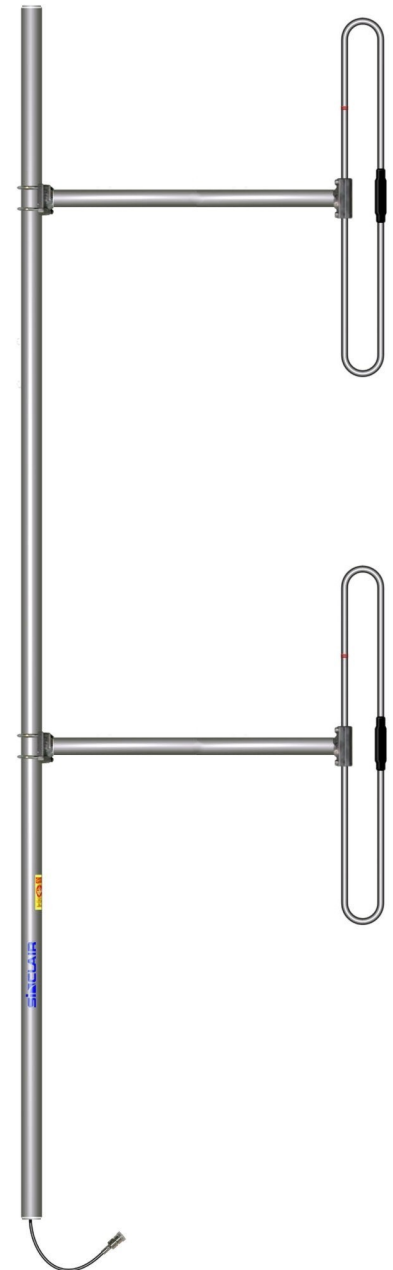
**Recommend SMK-125-A3 or SMK-125-A7 for Offset Side Mount.
Available from Sinclair separately.**

The SD212-L series is an extremely rugged 2-bay exposed dipole antenna designed for applications where moderate gain is required and Passive Intermodulation interference (PIM) is a consideration. These premium-quality antennas are well suited for public safety applications.

The SD212-L provides industry leading -150 dBc Passive Intermodulation (PIM) performance.

Application Notes

- The SD212-L is a rugged low-PIM, medium gain dipole antenna designed to provide coverage for public safety applications. The SD212-L is especially well suited to multicoupled applications where PIM is a consideration.
- Sub bands:
118-138 MHz (F1)
138-174 MHz (F2)
190-225 MHz (F3)



| Region | United States | Europe, Middle East and Africa | Caribbean and Latin America | Canada and rest of the world |
|-----------------------------|-----------------------|--------------------------------------|--------------------------------|--|
| Telephone | USA: 1 800 263 3275 | International: +44 (0) 1487 84 28 19 | International: +1 905 726 7676 | Canada: 1 800 263 3275 International: +1 905 727 0165 |
| E-mail | salesusa@sinctech.com | salesuk@sinctech.com | salesla@sinctech.com | salescan@sinctech.com |
| Product Specification Sheet | | SD212-SF1P2LDF(D00) | Issue: 3 | Dated: 05-06-17 |
| EPR 017877 | | | | Dated: 29-11-11 |
| Customer Tech Manual 005849 | | | | |

Electrical Specifications

| | | |
|-------------------------------------|-----------|--------------------------|
| Frequency Range | MHz | 118 to 138 |
| Connector | | 7/16 DIN-Female |
| Gain (nominal) | dBd (dBi) | 4.5 (6.6) |
| Input VSWR (max) | | 1.5:1 |
| Polarization | | vertical |
| Impedance | Ω | 50 |
| Pattern | | Bi-directional |
| Vertical beamwidth (typ) | degrees | 36 |
| Average Power Input (max) | W | 300 |
| Passive intermod. (2x20W, 3rd ord.) | dBc | -150 |
| Lightning protection | | DC ground |
| Electrical tilt (available) | | 0,2,4,6,8, or 10 degrees |

Notes

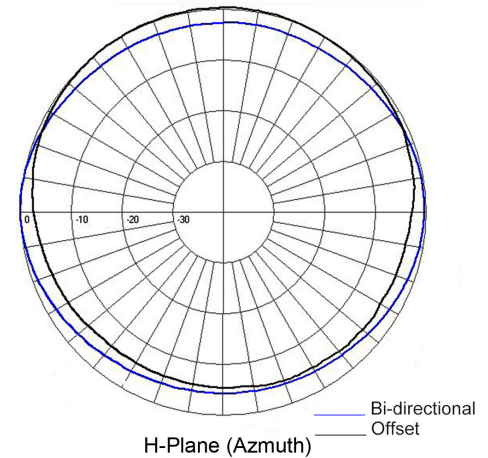
*1 : Qty 2

Mechanical Specifications

| | | |
|------------------------------------|----------|------------------------------------|
| Width | in (mm) | 42 (1067) |
| Depth | in (mm) | 3.5 (89) |
| Length/ Height | in (mm) | 120 (3048) |
| Base pipe diameter | in (mm) | 1.9 (48) |
| Radiating element material | | aluminum |
| Base pipe material | | aluminum |
| Weight | lbs (kg) | 23.2 (10.53) |
| Weight iced (1/2" ice) | lbs (kg) | 55.9 (25.38) |
| Mounting Hardware (Optional) | | Clamp005, Clamp015, or Clamp130 *1 |
| Recommended For Offset Side Mount: | | SMK-125-A3 or SMK-125-A7 |
| Mounting configurations | | Universal Mount |
| Actual shipping weight | lbs (kg) | 41.4 (18.8) |
| Shipping dimensions | in (mm) | 123x6x44 (3124x152x1118) |

Ordering Information

Clamps must be ordered separately.



Environmental Specifications

| | | |
|---|-------------|--------------------------|
| Temperature range | °F (°C) | -40 to +140 (-40 to +60) |
| Wind Loading Area (Flat Plate Equivalent) | ft² (m²) | 1.86 (0.17) |
| Wind Loading Area (1/2" ice) | ft² (m²) | 3.31 (0.31) |
| Rated wind velocity (no ice) | mph (km/h) | 155 (250) |
| Rated wind velocity (1/2" radial ice) | mph (km/h) | 110 (177) |
| Lateral Thrust (100 mph No Ice) | lbs (N) | 79.9 (355.4) |
| Torsional moment (100 mph No Ice) | ft-lbs (Nm) | 95.3 (128.7) |
| Bending moment (100 mph No Ice) | ft-lbs (Nm) | 233.7 (315.5) |

| Region | United States | Europe, Middle East and Africa | Caribbean and Latin America | Canada and rest of the world |
|-----------|-----------------------|--------------------------------------|--------------------------------|--|
| Telephone | USA: 1 800 263 3275 | International: +44 (0) 1487 84 28 19 | International: +1 905 726 7676 | Canada: 1 800 263 3275 International: +1 905 727 0165 |
| E-mail | salesusa@sinctech.com | salesuk@sinctech.com | salesla@sinctech.com | salescan@sinctech.com |