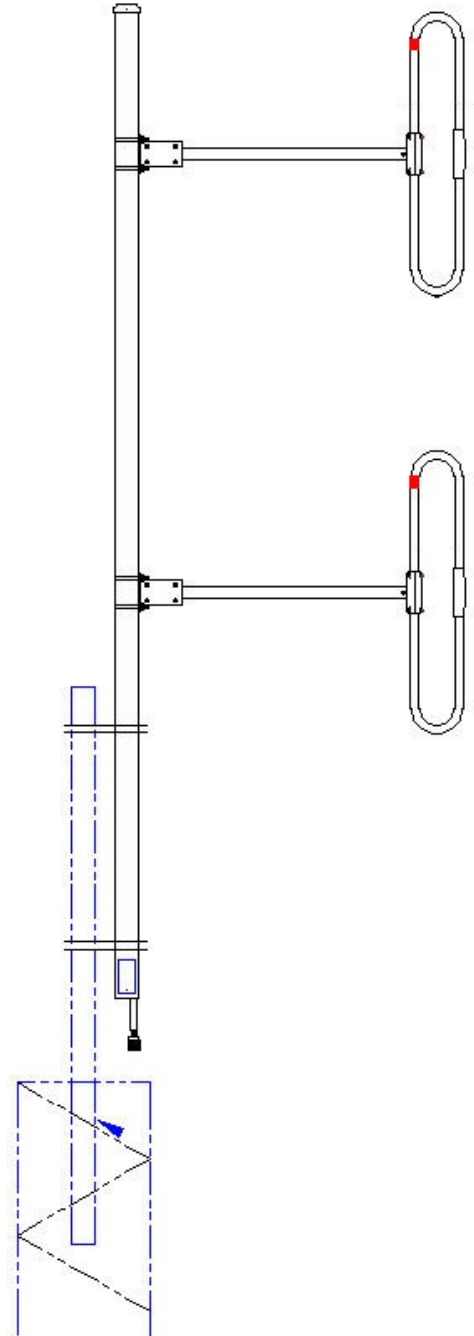


SD212-HF2P4SNM(D00) 2 dipole, 5.5 dBd, offset, HD, 138-174 MHz

- 2-bay dipole that covers the 138-174 MHz band
- 5.5 dBd gain with offset pattern
- 300W power handling
- Can be top or side mounted (Universal Mount)

Recommend SMK-425-A3-T3 or SMK-425-A7-T3 for Offset Side Mount.
Available from Sinclair separately.

The SD212-H series is a rugged heavy duty 2-bay exposed dipole antenna, designed for applications where moderate gain is required. These premium-quality antennas are well suited to public safety applications.



Antenna may not appear exactly as picture.

Region	United States	Europe, Middle East and Africa	Caribbean and Latin America	Canada and rest of the world
Telephone	USA: 1 800 263 3275	International: +44 (0) 1487 84 28 19	International: +1 905 726 7676	Canada: 1 800 263 3275 International: +1 905 727 0165
E-mail	salesusa@sinctech.com	salesuk@sinctech.com	salesla@sinctech.com	salescan@sinctech.com

Electrical Specifications

Frequency Range	MHz	138 to 174	
Bandwidth	MHz	36	
Connector		N-Male	*1
Gain (nominal)	dBd (dBi)	5.5 (7.6)	
Input VSWR (max)		1.5:1	
Polarization		vertical	
Impedance	Ω	50	
Pattern		Offset	
Horizontal beamwidth (typ)	degrees	210	
Vertical beamwidth (typ)	degrees	34	
Average Power Input (max)	W	300	
Lightning protection		DC ground	
Electrical tilt (available)		0,2,3,4,6,8, or 10 degrees	

Notes

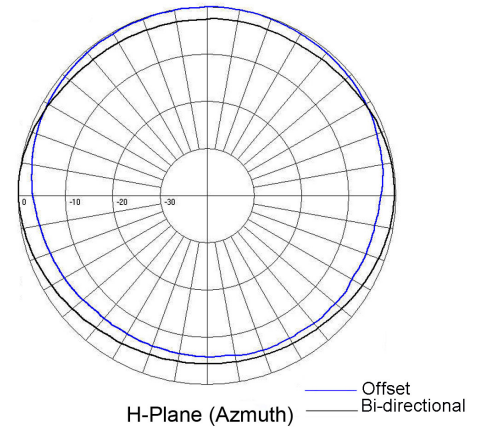
- *1 : Also available in N-female
- *2 : Qty 2

Mechanical Specifications

Width	in (mm)	24.62 (625)	
Depth	in (mm)	4.75 (121)	
Length/ Height	in (mm)	120 (3048)	
Base pipe diameter	in (mm)	2.9 (74)	
Base pipe mounting length	in (mm)	30 (762)	
Radiating element material		aluminum	
Base pipe material		aluminum	
Weight	lbs (kg)	38 (17.25)	
Weight iced (1/2" ice)	lbs (kg)	78 (35.41)	
Mounting Hardware (Optional)		Clamp006A or Clamp147	*2
Estimated Shipping Weight	lbs (kg)	60 (27.24)	
Shipping dimensions	in (mm)	132x30x6 (3353x762x152)	
Mounting configurations		Universal Mount	
Recommended For Offset Side Mount:		SMK-425-A3-T3 or SMK-425-A7-T3	

Ordering Information

Clamps must be ordered separately.



Environmental Specifications

Temperature range	°F (°C)	-40 to +140 (-40 to +60)
Wind Loading Area (Flat Plate Equivalent)	ft² (m²)	2.51 (0.23)
Wind Loading Area (1/2" ice)	ft² (m²)	3.9 (0.36)
Rated wind velocity (no ice)	mph (km/h)	185 (298)
Rated wind velocity (1/2" radial ice)	mph (km/h)	155 (250)
Lateral thrust (100 mph No Ice)	lbs (N)	92 (409.2)
Torsional moment (100 mph No Ice)	ft-lbs (Nm)	42 (56.7)
Bending moment (100 mph No Ice)	ft-lbs (Nm)	328 (442.8)
Tip deflection (100 mph No Ice)	degrees	0.34

Region	United States	Europe, Middle East and Africa	Caribbean and Latin America	Canada and rest of the world
Telephone	USA: 1 800 263 3275	International: +44 (0) 1487 84 28 19	International: +1 905 726 7676	Canada: 1 800 263 3275 International: +1 905 727 0165
E-mail	salesusa@sinctech.com	salesuk@sinctech.com	salesla@sinctech.com	salescan@sinctech.com