

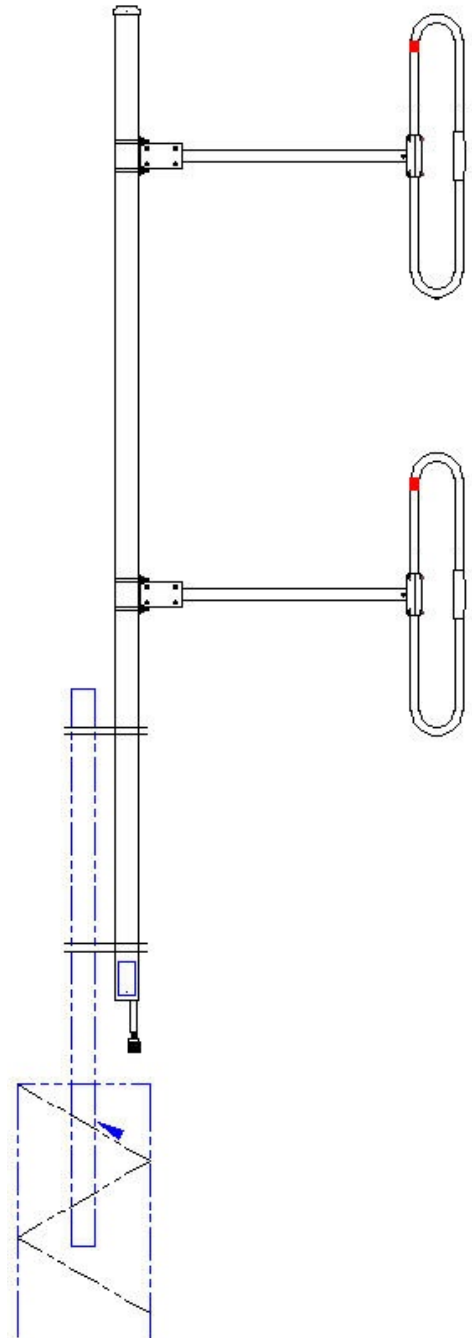
SD212-HF1P2SNM(D00) 2 dipole, 5.0 dBd, bi-directional, HD, 118-138 MHz

- 2-bay dipole that covers the 118-138 MHz band
- 5dBd gain with bidirectional pattern
- 300W power handling
- Can be top or side mount (Universal Mount)

**Recommend SMK-425-A3-T3 or SMK-425-A7-T3 for Offset Side Mount.  
Available from Sinclair separately.**

The SD212-H series is a rugged heavy duty 2-bay exposed dipole antenna, designed for applications where moderate gain is required. These premium-quality antennas are well suited to public safety applications.

The standard connector offered is N male which is terminated on a 1 foot cable.



Antenna may not appear exactly as picture.

Region	United States	Europe, Middle East and Africa	Caribbean and Latin America	Canada and rest of the world
Telephone	USA: 1 800 263 3275	International: +44 (0) 1487 84 28 19	International: +1 905 726 7676	Canada: 1 800 263 3275 International: +1 905 727 0165
E-mail	salesusa@sinctech.com	salesuk@sinctech.com	salesla@sinctech.com	salescan@sinctech.com

#### Electrical Specifications

Frequency Range	MHz	118 to 138
Bandwidth	MHz	20
Connector		N-Male *1
Gain (nominal)	dBd (dBi)	5 (7.1)
Input VSWR (max)		1.5:1
Polarization		vertical
Impedance	Ω	50
Pattern		Bi-directional
Vertical beamwidth (typ)	degrees	36
Average Power Input (max)	W	300
Lightning protection		DC ground
Electrical tilt (available)		0,2,4,6,8, or 10 degrees

#### Notes

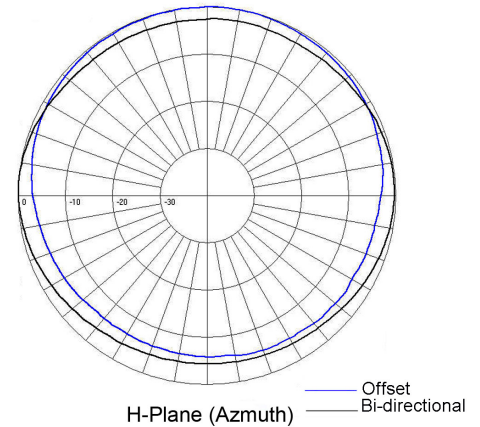
- \*1 : N-female also available
- \*2 : Qty 2

#### Mechanical Specifications

Width	in (mm)	42.6 (1082)
Depth	in (mm)	4.75 (121)
Length/ Height	in (mm)	144 (3658)
Base pipe diameter	in (mm)	2.9 (74)
Radiating element material		aluminum
Base pipe material		aluminum
Weight	lbs (kg)	43 (19.52)
Weight iced (1/2" ice)	lbs (kg)	83.9 (38.09)
Mounting Hardware (Optional)		Clamp006A or Clamp147 *2
Estimated Shipping Weight	lbs (kg)	63 (28.6)
Shipping dimensions	in (mm)	150x46x6 (3810x1168x152)
Mounting configurations		Universal Mount
Recommended For Offset Side Mount:		SMK-425-A3-T3 or SMK-425-A7-T3

#### Ordering Information

Clamps must be ordered separately.



#### Environmental Specifications

Temperature range	°F (°C)	-40 to +140 (-40 to +60)
Wind Loading Area (Flat Plate Equivalent)	ft² (m²)	2.91 (0.27)
Wind Loading Area (1/2" ice)	ft² (m²)	4.47 (0.42)
Rated wind velocity (no ice)	mph (km/h)	195 (314)
Rated wind velocity (1/2" radial ice)	mph (km/h)	150 (242)
Lateral thrust (100 mph No Ice)	lbs (N)	106 (471.5)
Torsional moment (100 mph No Ice)	ft-lbs (Nm)	57 (77)
Bending moment (100 mph No Ice)	ft-lbs (Nm)	440 (594)
Tip deflection (100 mph No Ice)	degrees	0.58

Region	United States	Europe, Middle East and Africa	Caribbean and Latin America	Canada and rest of the world
<b>Telephone</b>	USA: 1 800 263 3275	International: +44 (0) 1487 84 28 19	International: +1 905 726 7676	Canada: 1 800 263 3275 International: +1 905 727 0165
<b>E-mail</b>	salesusa@sinctech.com	salesuk@sinctech.com	salesla@sinctech.com	salescan@sinctech.com