

SD210-HF3P4LDF 1 dipole, 2.0 dBd, low PIM, offset, HD, 190-225 MHz

- -150 dBc PIM rating, covering 190-225 MHz frequency range
- 2 dBd gain with offset pattern
- Heavy duty with 250 Watts power handling
- Can be top or side mount (Universal mount)

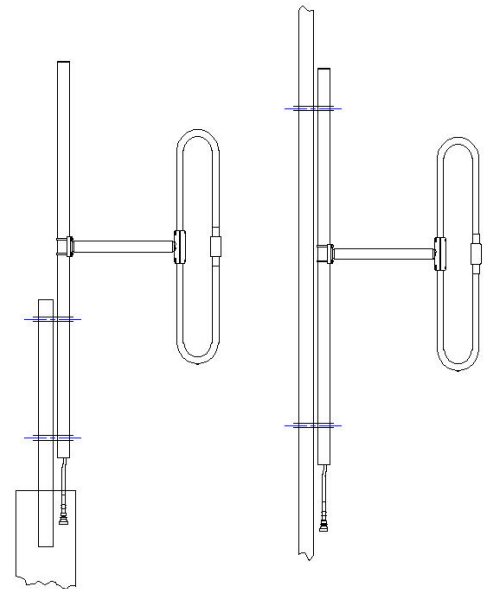
Recommend SMK-425-A3-T3 or SMK-425-A7-T3 for Offset Side Mount.
Available from Sinclair separately.

The SD210-HL series of antennas is unique in its high efficiency and exceptionally wide bandwidth, covering the frequency ranges of 118-137, 138-174 MHz, and 190-225 MHz at a VSWR of 1.5:1 or better. Because of its bandwidth, the SD210-HL series is perfectly suited for multicoupled systems.

The SD210-HL is also high-performance low PIM antenna which use industry-leading designs that offers excellent bandwidth and high reliability, and is of heavy duty construction.

TOP MOUNT

SIDE MOUNT



Region	United States	Europe, Middle East and Africa	Caribbean and Latin America	Canada and rest of the world
Telephone	USA: 1 800 263 3275	International: +44 (0) 1487 84 28 19	International: +1 905 726 7676	Canada: 1 800 263 3275 International: +1 905 727 0165
E-mail	salesusa@sinctech.com	salesuk@sinctech.com	salesla@sinctech.com	salescan@sinctech.com

Electrical Specifications

Frequency Range	MHz	190 to 225
Connector		7/16 DIN-Female
Gain (nominal)	dBd (dBi)	2 (4.1)
Input VSWR (max)		1.5:1
Polarization		vertical
Impedance	Ω	50
Pattern		Offset
Horizontal beamwidth (typ)	degrees	180
Vertical beamwidth (typ)	degrees	68
Average Power Input (max)	W	250
Passive intermod. (2x20W, 3rd ord.)	dBc	-150
Lightning protection		DC ground

Notes

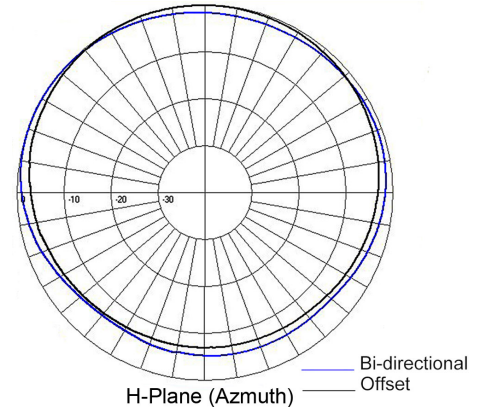
*1 : Qty 2

Mechanical Specifications

Width	in (mm)	18 (457)
Depth	in (mm)	3.5 (89)
Length/ Height	in (mm)	60 (1524)
Base pipe diameter	in (mm)	1.9 (48)
Radiating element material		aluminum
Base pipe material		aluminum
Weight	lbs (kg)	9.5 (4.31)
Weight iced (1/2" ice)	lbs (kg)	24.5 (11.12)
Mounting Hardware (Optional)		Clamp147 or Clamp015
Actual shipping weight	lbs (kg)	21 (9.53)
Shipping dimensions	in (mm)	63x26.4x6 (1600x671x152)
Mounting configurations		Universal Mount
Recommended For Offset Side Mount:		SMK-425-A3-T3 or SMK-425-A7-T3

Ordering Information

Clamps must be ordered separately.



Environmental Specifications

Temperature range	°F (°C)	-40 to +140 (-40 to +60)
Wind Loading Area (Flat Plate Equivalent)	ft ² (m ²)	0.84 (0.08)
Wind Loading Area (1/2" ice)	ft ² (m ²)	1.46 (0.14)
Rated wind velocity (no ice)	mph (km/h)	225 (362)
Rated wind velocity (1/2" radial ice)	mph (km/h)	173 (279)
Lateral thrust (100 mph No Ice)	lbs (N)	31 (137.9)
Torsional moment (100 mph No Ice)	ft-lbs (Nm)	11.5 (15.5)
Bending moment (100 mph No Ice)	ft-lbs (Nm)	31 (41.9)

Region	United States	Europe, Middle East and Africa	Caribbean and Latin America	Canada and rest of the world
Telephone	USA: 1 800 263 3275	International: +44 (0) 1487 84 28 19	International: +1 905 726 7676	Canada: 1 800 263 3275 International: +1 905 727 0165
E-mail	salesusa@sinctech.com	salesuk@sinctech.com	salesla@sinctech.com	salescan@sinctech.com