

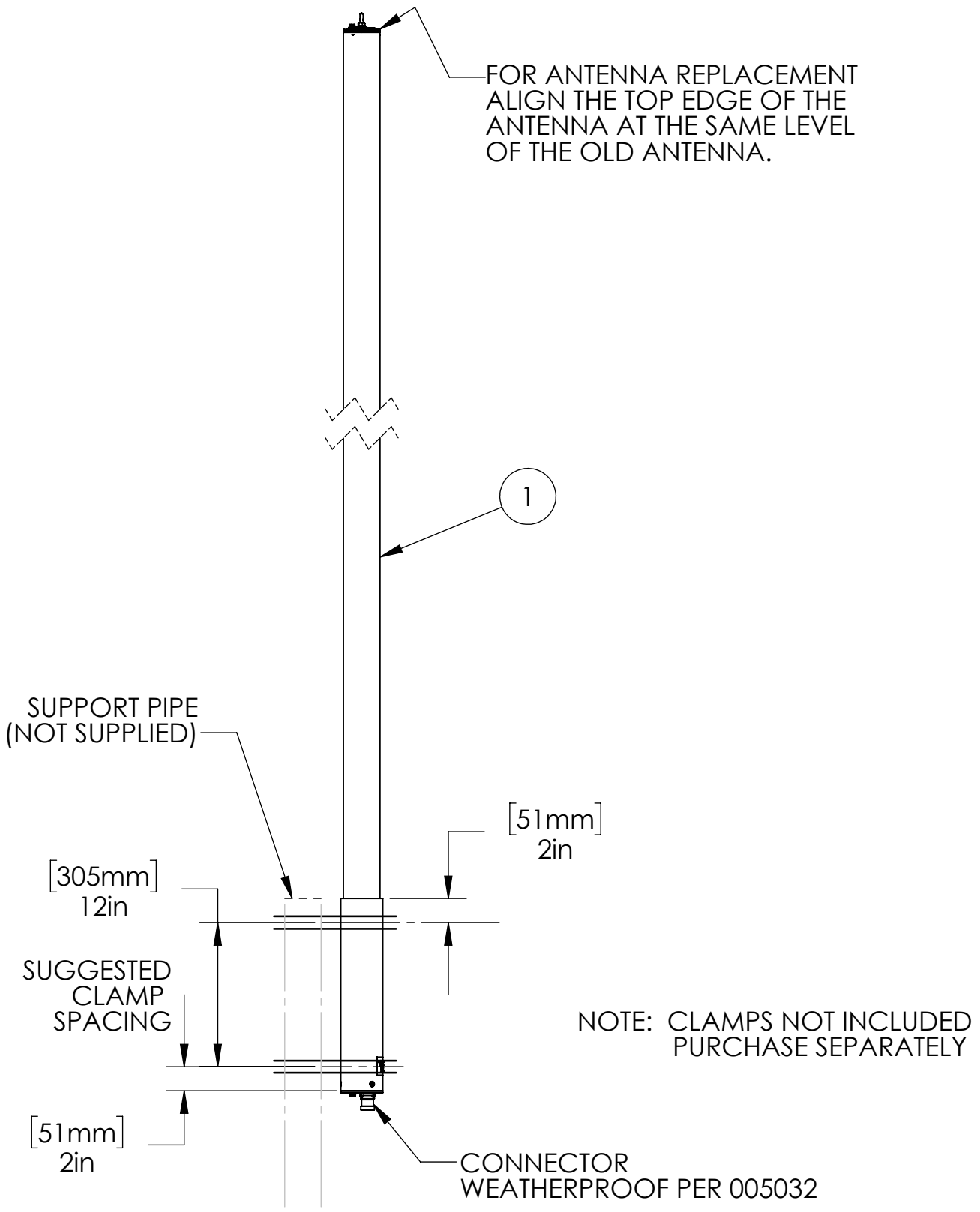
INSTALLATION INSTRUCTIONS
SC366-HTBLDF(D00-M) SERIES
SC366-HF(*)LDF(D00-M) SERIES
SC466-HF(*)LDF(D00) SERIES
SC464-HF(*)LDF(D00) SERIES
SC466M-HF(*)LDF(D00) SERIES

ITEM NO.	PartNo	DESCRIPTION	QTY.
1	TO SUIT	ANTENNA ASSEMBLY	1
2	015768	WEATHERPROOFING KIT, WPK-1	1

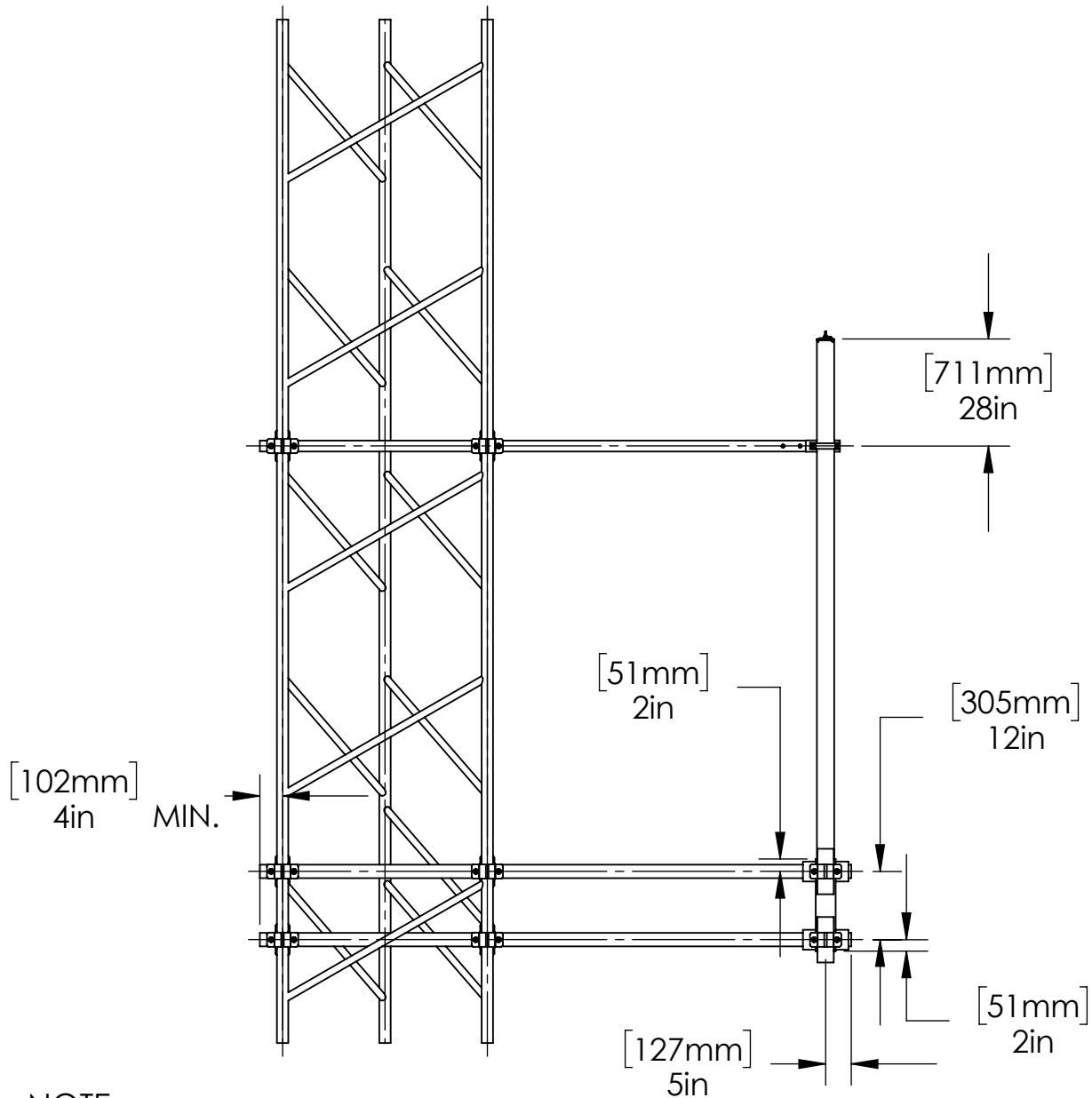
ANTENNA INSTALLATION GUIDELINES

1. Upon receipt of your antenna, please check the material against the parts list enclosed. If shortage or damage is apparent, notify the carrier immediately.
2. Inspect the antenna feed connector(s) to determine that it mates with the end of your transmission line. Do not remove any connector or cable from the antenna as they are all part of your antenna.
3. Verify that the frequency to which the antenna has been tuned is the frequency on which your radio system is to operate. This information is on the label which also shows the model and serial number of your antenna.
4. Assemble antenna as shown on this installation instruction. Drain holes must be located at lowest position of antenna and remain unobstructed at all times.
5. Always protect the cable harness and radiating element from damage when moving, lifting or resting your antenna.
6. A check of the antenna VSWR is recommended prior to installation and measurements should be recorded for future reference.
7. After checking the VSWR of the antenna, mount the antenna to the tower and ensure that it is solidly grounded. Do not rely on the feed cable for ground return. Connect the station transmission line to the antenna making sure that the centre pin of both connectors are centred. Tighten both connectors firmly by hand. **Do not use pliers.** Carefully weatherproof the cable connection (Refer to Weatherproofing Instructions 005032, supplied with Weatherproofing Kit). Failure to weatherproof the cable connection will result in improper operation of your antenna. Properly secure the feed cable and antenna transmission line to the tower in the best position to avoid damage.
8. A careful visual check is recommended to insure that:
 - a) All mechanical connections are securely made.
 - b) The antenna is mounted on the proper ledge of the tower with sufficient physical clearance.
 - c) All connections have been carefully wrapped with weatherproofing material to prevent moisture problems.

BOTTOM MOUNTED ANTENNA UPRIGHT POSITION



SIDE MOUNTED ANTENNA, UPRIGHT



NOTE:

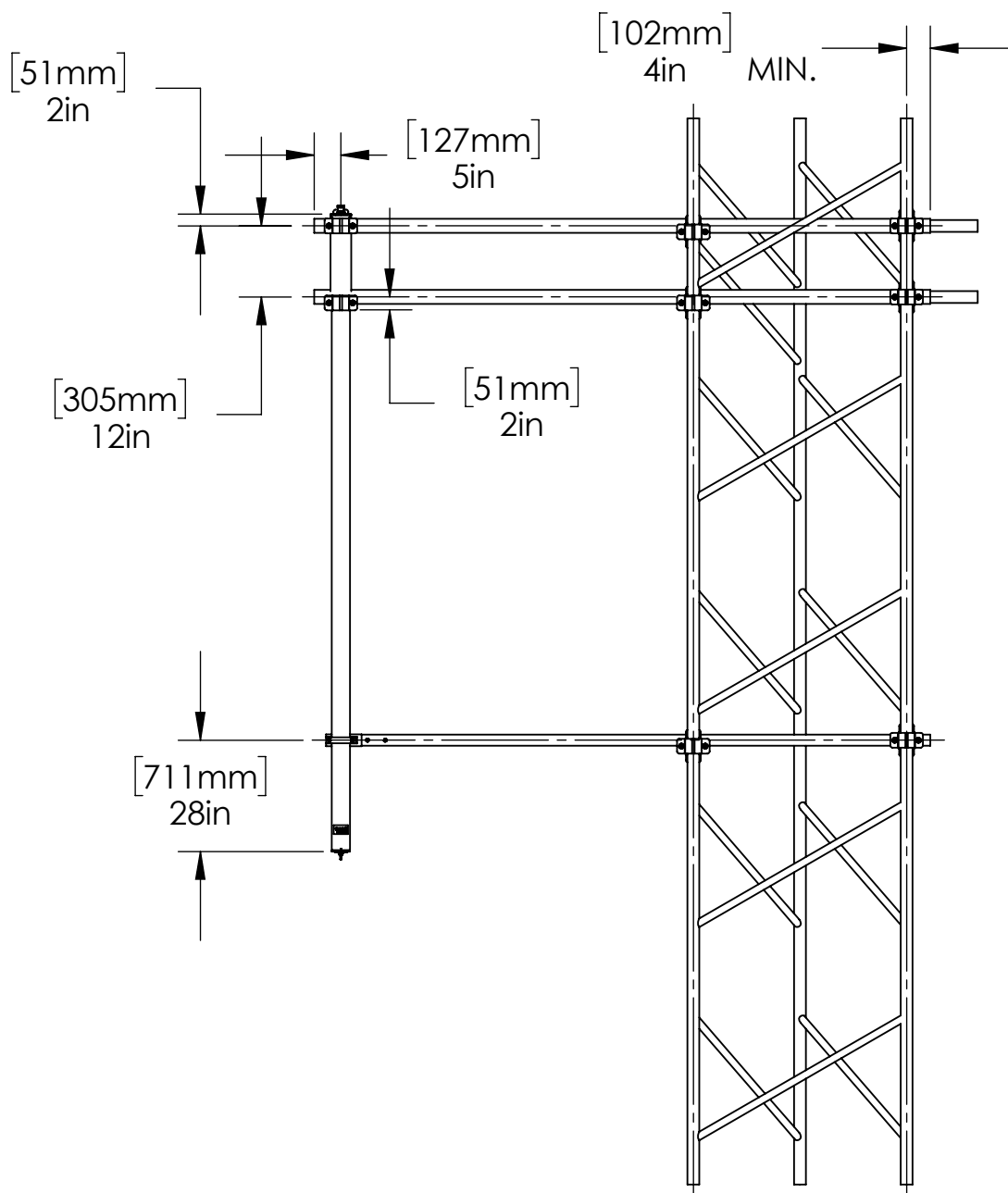
SIDE MOUNTED ANTENNA IS SHOWN. USE SMK- 335- A3 PER DWG #005991. KIT SHOULD BE PURCHASED SEPARATELY

DRAIN ORIENTATION

THE ANTENNA IS SHIPPED WITH SCREWS INSTALLED IN THE DRAIN HOLES AT EACH END OF THE ANTENNA. AFTER THE ANTENNA IS INSTALLED, THE SCREW AT THE "DOWN" END OF THE ANTENNA MUST BE REMOVED, REGARDLESS OF THE ANTENNA ORIENTATION.

DOWNTILTS CAN NOT BE INVERTED UNLESS ORDERED AS AN INVERTED.

SIDE MOUNTED ANTENNA, INVERTED



DRAIN ORIENTATION

THE ANTENNA IS SHIPPED WITH SCREWS INSTALLED IN THE DRAIN HOLES AT EACH END OF THE ANTENNA. FOR PROPER OPERATION OF THE ANTENNA, ONE OF THE DRAIN HOLE SCREWS MUST BE REMOVED PRIOR TO INSTALLATION. AFTER THE ANTENNA IS INSTALLED, THE SCREW AT THE "DOWN" END OF THE ANTENNA MUST BE REMOVED, REGARDLESS OF THE ANTENNA ORIENTATION. **DOWNTILTS CAN NOT BE INVERTED UNLESS ORDERED AS AN INVERTED.**