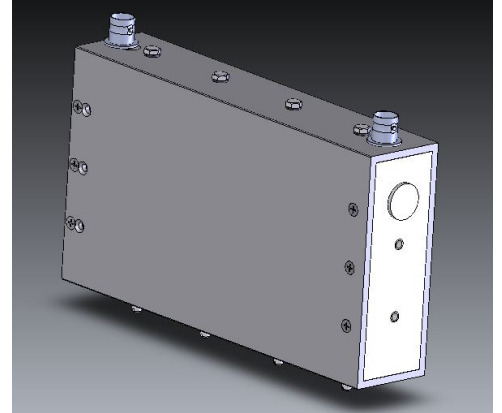


FP40415CLT-2-5 Combine preselector, 5 MHz bandwidth, TNC-female connector, 788-793 MHz

- Covers the entire 788-793 MHz frequency range
- 2.0 dB insertion loss over the pass band
- 60 dB attenuation at 763 MHz



www.sinctech.com

| Region | United States | Europe, Middle East and Africa | Caribbean and Latin America | Canada and rest of the world |
|---|-----------------------|--------------------------------------|--------------------------------|--|
| Telephone | USA: 1 800 263 3275 | International: +44 (0) 1487 84 28 19 | International: +1 905 726 7676 | Canada: 1 800 263 3275 International: +1 905 727 0165 |
| E-mail | salesusa@sinctech.com | salesuk@sinctech.com | salesla@sinctech.com | salescan@sinctech.com |
| Product Specification Sheet EPR 018250 | | FP40415CLT-2-5 | Issue: 1 | Dated: 30-04-19 Dated: 17-03-17 |

Electrical Specifications

| | | |
|---------------------------------------|-----|------------|
| Frequency Range | MHz | 788 to 793 |
| Input Connectors | | TNC-Female |
| Output Connectors | | TNC-Female |
| Input VSWR (max) | | 1.5:1 |
| Bandwidth at specified insertion loss | MHz | 5 |
| Pass band Insertion Loss (max) | dB | 2 |
| Impedance | Ω | 50 |
| Attenuation at 763 MHz | dB | 60 |

Mechanical Specifications

| | | |
|-------------------------|---------|-----------|
| Width | in (mm) | 7.5 (191) |
| Depth | in (mm) | 5 (127) |
| Length/ Height | in (mm) | 1.5 (38) |
| Mounting configurations | | Panel |

Environmental Specifications

| | | |
|-------------------|---------|--------------------------|
| Temperature range | °F (°C) | -22 to +140 (-30 to +60) |
|-------------------|---------|--------------------------|

www.sinclairelectronics.com

| Region | United States | Europe, Middle East and Africa | Caribbean and Latin America | Canada and rest of the world |
|------------------|----------------------------------|--------------------------------------|---------------------------------|--|
| Telephone | USA: 1 800 263 3275 | International: +44 (0) 1487 84 28 19 | International: +1 905 726 7676 | Canada: 1 800 263 3275 International: +1 905 727 0165 |
| E-mail | salesusa@sinclairelectronics.com | salesuk@sinclairelectronics.com | salesla@sinclairelectronics.com | salescan@sinclairelectronics.com |